

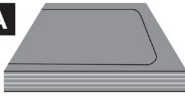
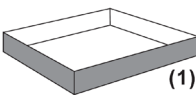

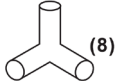







# **120 X 120 X 200CM GROW TENT**

CTGRTNT120A



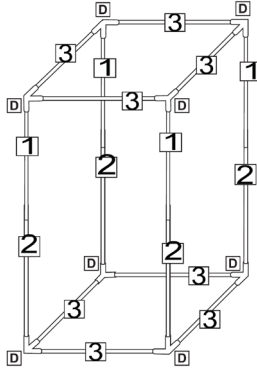
# COMPONENTS

<b>A</b>  (1)	<b>B</b>  (1)	<b>C</b>  (2)	<b>D</b>  (8)
Tent	Floor Tray	Filter straps	Corner adapter

Framework support		
1		4 Pcs
2		4 Pcs
3		8 Pcs
4		
5		

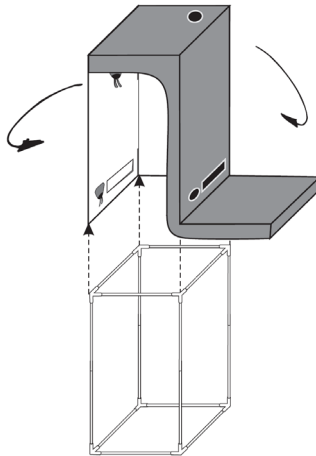
# ASSEMBLY

## Step 1



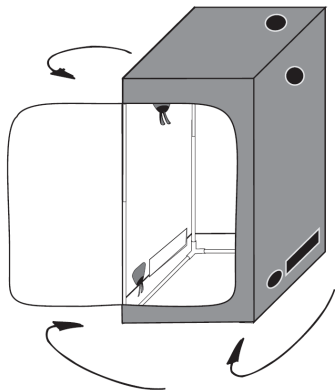
Set up the frame as shown above. Make sure to insert each pole end securely into the corner adapter.

## Step 2



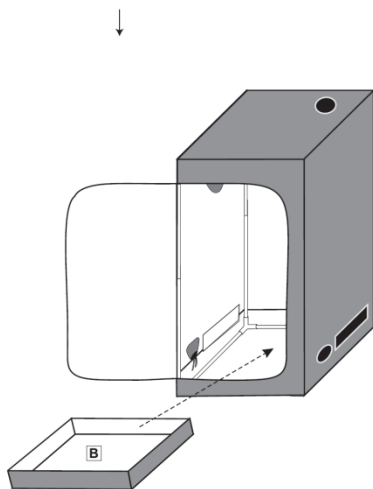
Unzip the tent cover entirely on all sides. Gently pull the top of tent shell onto the frame, making sure all corners are squarely in place. Having another person assist will make this process easier.

### Step 3



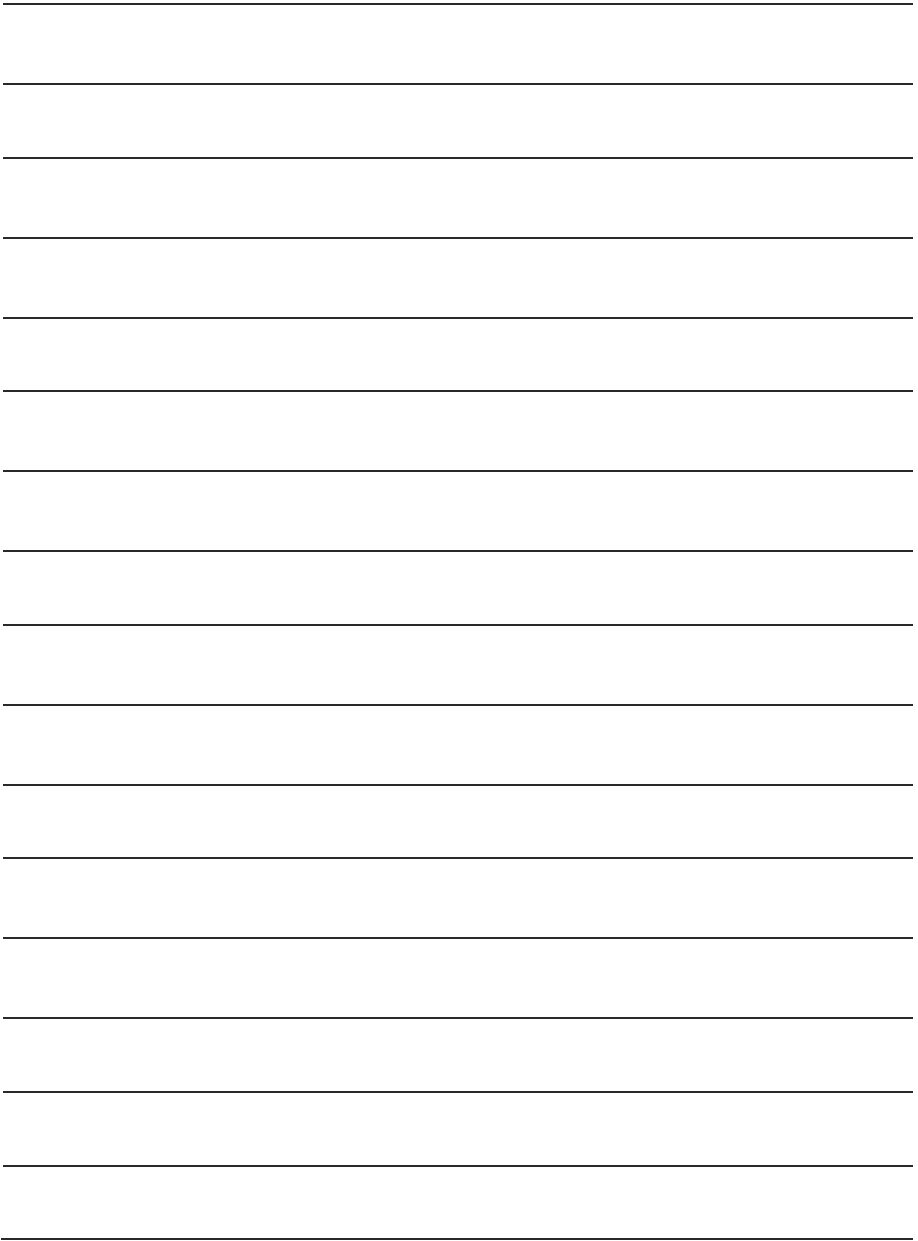
Pull the bottom of the tent shell to cover the base of the tent frame completely. Place the hanging bars on the top of frame.

### Step 4



Place the floor tray into the base of the erected tent. The product is now fully assembled and ready for use.





### **Need more information?**

We hope that this user guide has given you the assistance needed for a simple set-up. For the most up-to-date guide for your product, as well as any additional assistance you may require, head online to **[help.kogan.com](https://help.kogan.com)**

kogan