



# 16000MAH WATER RESISTANT PORTABLE JUMP STARTER

CTJMPSTW16B



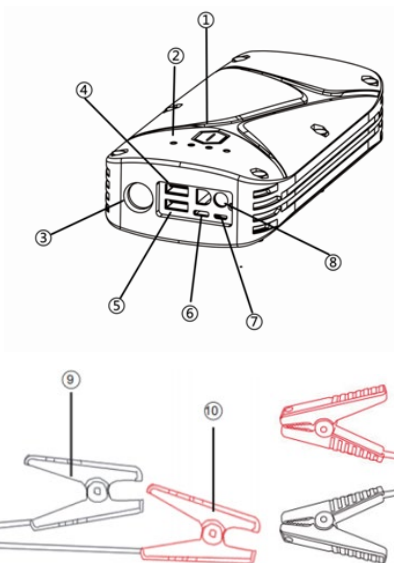
# SAFETY & WARNINGS

- Use only the included battery clamp to start the car.
- Do not use this unit if any part of the cable, clamp or cord is damaged.
- Never connect both clamps together when the product is turned ON.
- Do not connect both cable clamps to the same piece of metal, or the jump starter will be damaged.

# IN THE BOX

- 1 x 16000mAh Jump Starter
- 1 x Smart Battery Clamp
- 1 x USB C to USB A Cable
- 1 x USB C to USB C Cable
- 1 x User Manual
- 1 x Carry Pouch

# OVERVIEW



1	On/Off Button (Multifunctional)	Press the button to charge your devices. Press the button to see the remaining capacity. Long press the button to turn the flashlight on or off.
2	Charging Indicator Lights	Shows the charging progress: 25%, 50%, 75% and 100%.
3	LED Flashlight	Flashlight modes: Solid, SOS, Flash and Off
4	USB Output Port 1 (QC 3.0)	Charge QC 3.0 compatible devices.
5	USB Output Port 2 (QC 3.0)	Charge QC 3.0 compatible devices.
6	USB C Input/Output (PD30W)	Charge the jump starter via USB-A to USB-C cable. Charge PD30W compatible devices via USB C to USB C cable.
7	Micro USB Input Port	Charge the jump starter via the Micro USB cable.
8	Jump Starting Port	Insert the plug into the jump-starting port.
9	Black Clamp	Connect the black clamp to the negative terminal of the car battery.
10	Red Clamp	Connect the red clamp to the positive terminal of the car battery.
11	Plug	To be inserted into the jump-starting port for use.
12	Battery Clamp Indicator Lights	Show the status of the smart battery clamp.
13	Force Start Button	Press this button if the car battery voltage is too low.

# OPERATION

## Charging the product

1. Connect the jump starter and the power source via the USB C cable or Micro USB cable.
2. Short press the on/off button to turn on the product. While charging the jump starter, the battery level indicator light will flash. Once it is fully charged, all 4 battery level indicator lights will be on.
3. Unplug the cable when no charge is required.

### Note:

- When using the product for the first time, make sure that the jump starter is fully charged.
- A wall adapter is not included in the package.

## Power bank

1. Connect the product and the device to be charged via USB cable.
2. Press the on/off button to turn on the product.
3. Unplug the cable when no charge is required.

## LED flashlight

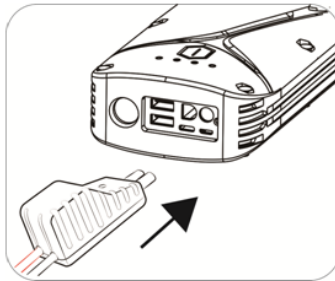
Long press the on/off button for 3 seconds to turn on the light. Short press the on/off button to switch modes among Solid, SOS and Flash. Long press the on/off button for 3 seconds to turn off the light.

## Jump start your car

### Note:

- This product is for 12V car (all petrol or up to 6.0L diesel engines) only.
- Ensure that 3 to 4 indicator lights are illuminated (battery level is above 50%) before you use it to jump-start your car.

**Step 1:** Insert the plug of the smart battery clamp completely into the jump starter. If the green and red-light indicators on the battery clamp are flashing alternately, you are safe to move on to the next step.



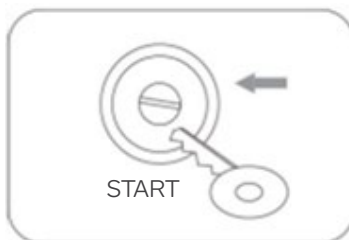
**Step 2:** Connect the red clamp to the positive terminal (+) of the car battery and connect the black clamp to the negative terminal (-) of the car battery. If the green and red-light indicators on the battery clamp are flashing alternately, you are safe to move on to the next step.

However, if the red indicator light is on:

- The battery clamp may be connected in reverse. If so, disconnect the battery clamp from the vehicle and the jump starter.
- Adjust the clamps for maximum contact with battery terminals.



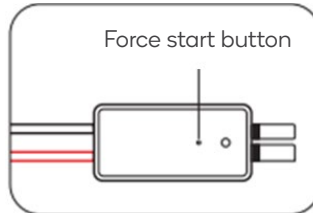
**Step 3-a:** Start the car as normal.



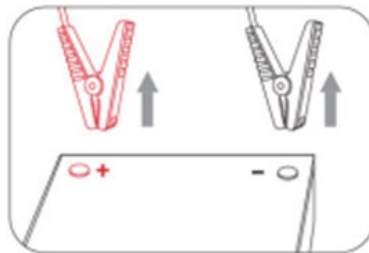
- If the car fails to start, disconnect the battery clamp from the vehicle and the jump starter. Wait for at least 30 seconds before trying again.
- If the car still fails to start after 3 attempts, use the force start function as per step 3b.

**Step 3-b (optional):** Force starts function.

- Make sure that the clamps are connected to the correct polarity battery terminal.
- Hold the force start button for 3 seconds to enable the force start function.
- When the indicator light of the smart clamp is solid green, the vehicle will need to be started within 30s.



**Step 4:** Once your car is started, remove the battery clamp from the car battery and the jump starter within 30 seconds.



LED Indicator	Situations
Flashing between red/green	Ready to work/operational status
Solid red	<ol style="list-style-type: none"><li>1. Battery clamp is connected in reverse:<ul style="list-style-type: none"><li>o Check the orientation of the clamps on the battery terminals</li></ul></li><li>2. The clamp is short-circuited:<ul style="list-style-type: none"><li>o Check whether the clamps are contacting one another or are connected to the same piece of metal.</li></ul></li><li>3. Reverse charging protection: the voltage of the car battery is higher than 12.6V:<ul style="list-style-type: none"><li>o No jump starting is needed to start the car.</li></ul></li></ol>
Rapidly flashing red	The temperature of the clamp exceeds 65 (+/-5) degrees. Remove the clamp until the lights flash red and green.
Slowly flashing green	The voltage of the jump starter is too low. Charge the jump starter



# CARE & MAINTENANCE

- Never use the product to start a bulging or damaged car battery.
- Store the product in a shaded, well-ventilated area.
- Handle the product with care. Avoid dropping or striking the product heavily and repeatedly.
- Do not attempt to disassemble or modify the product.
- Do not use detergents to clean the product.
- Do not place or use the product in a high-temperature environment for an extended period. The operating temperature of this product is  $-20-60^{\circ}\text{C}$ . The storage temperature of the product should not exceed  $50^{\circ}\text{C}$ .
- Check the battery level of the product at least once every three months and charge the product in time.
- Keep the product away from children and pets.

# SPECIFICATIONS

Capacity	16000mAh
Micro USB input	5V/2.1A
Type C input & output	PD30W: 5V/3A, 9V/3A,12V/2.5A, 20V/1.5A QC18W: 5V/3A, 9V/2A, 12V/1.5A
USB outputs	5V/3A, 9V/2A, 12V/1.5A
Jump-start current	600A (last for 1s)
Peak current	1200A (last for 0.2s)
Short circuit protection	Effective
Over-discharge protection	$\leq 13\text{v} \pm 0.3\text{v}$
Overheating protection	$> 65^{\circ}\text{C} \pm 5^{\circ}\text{C}$
Reverse polarity protection	Effective
Reverse charging protection	$\geq (12.6\text{v} \pm 0.3\text{v})$
Dimensions (L x W x H)	185 x 100 x 45mm

## FAQ

Q: How is the product turned off?

A: This product will power off automatically when no load is detected or when charging is complete.

Q: How long does it take to fully charge the jump starter?

A: Approximately 3-9 hours through the Micro USB input port or USB C input port.

Q: How many times can this product start a vehicle at full capacity?

A: Approximately 20 times.

Q: How many times can this product fully charge a mobile phone?

A: This will depend largely on the battery capacity of the mobile phone being used. For example, an iPhone 8 can be fully charged ~4-5 times.

### **Need more information?**

We hope that this user guide has given you the assistance needed for a simple set-up. For the most up-to-date guide for your product, as well as any additional assistance you may require, head online to **[help.kogan.com](https://help.kogan.com)**

kogan