



SORRENTO STANDING DESK

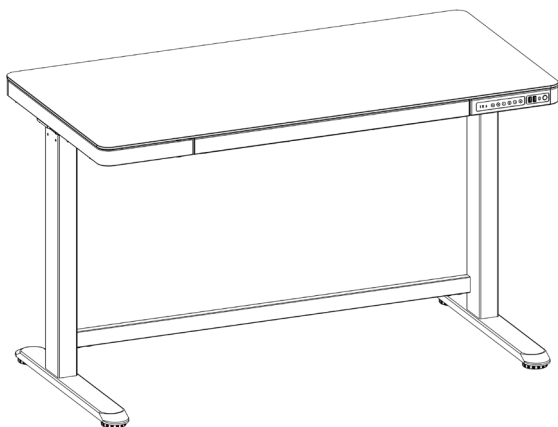
WHITE / NATURAL, WHITE

ELSTDSKTGWA / ELSTDSKTGNA

SAFETY & WARNINGS




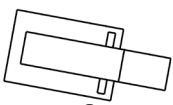
- Unplug the power plug before cleaning. Wipe the dust on the surface with slight wet dishcloth when cleaning and be careful not to let water into any internal parts.
- Do not use any corrosive or abrasive materials to clean this product.
- Check carefully to ensure correct and complete assembly before using.
- Familiarise yourself with all functions and settings of the product before first use.
- Do not allow children to play with or on the product.
- There may be a slight noise caused by the V-ribbed belt or brake system; this is normal and will not have any effect on the use of the equipment.
- This appliance can be used by children aged from 8 years and above and persons with reduced physical, sensory or mental capabilities or lack of experience and knowledge if they have been given supervision or instruction concerning use of the appliance in a safe way and understand the hazards involved.
- Do not allow cleaning or user maintenance to be undertaken by children without supervision.
- Do not attempt to repair this product yourself. If the product or its power supply experiences any malfunction or damage, stop using it immediately and contact Kogan.com to arrange a repair.
- Ensure there are no hazards in the operating environment. Always be careful with the packaging materials to avoid any possible danger, e.g. the plastic bag may lead to choking hazard to children.
- Keep the original package of the equipment if necessary, in case of the future use in transportation.
- Dispose of this product responsibly as electronic waste and not with the general household rubbish collection.

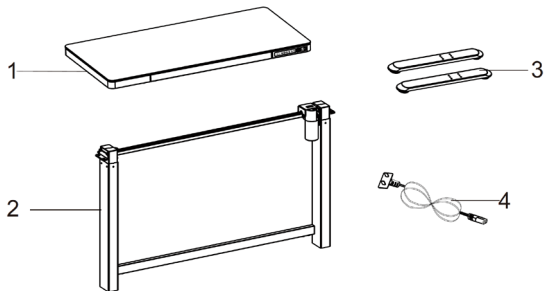
COMPONENTS



ATTENTION: The drawings below are for guidance only and they may differ slightly from the product and fittings received. Contact Kogan.com should you have any queries.

Accessory list:

 A x8	 B x8	 C x1	 D x2
M6	M8	5x5 hex wrench	Cable clamp

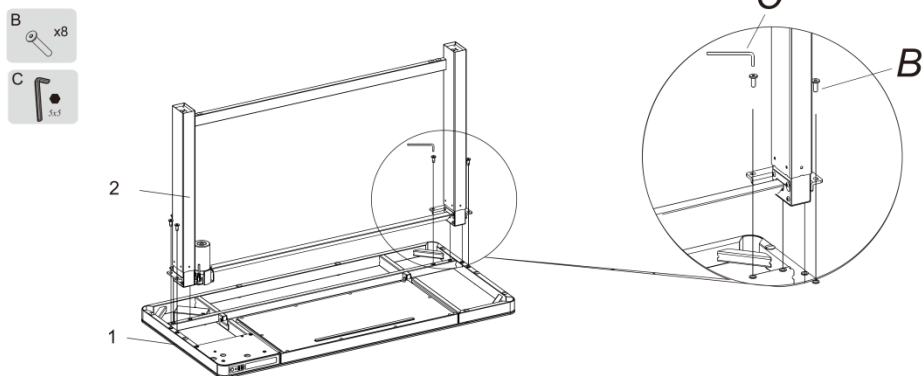


1	Tabletop	x1
2	Lifting columns	x1
3	Feet	x2
4	Power plug	x1

ASSEMBLY

Step 1

Install lifting columns to the tabletop

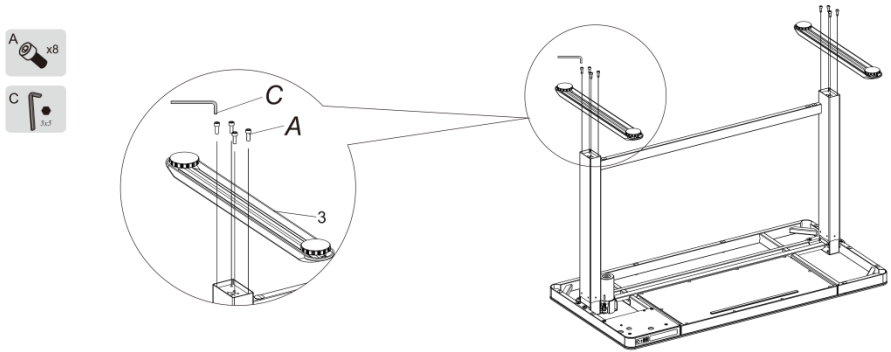


Connect the tabletop (1) to the lifting columns (2) with the 8x M8 screws (B) and tighten with the hex wrench (C).

CAUTION: Avoid placing the glass surface directly on the ground during installation to prevent scratching or denting.

Step 2

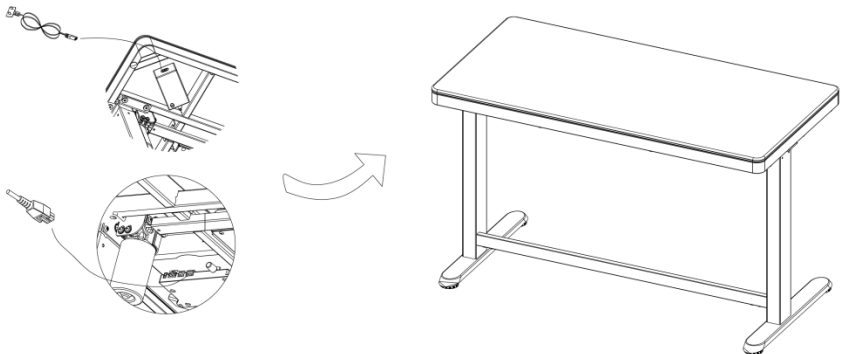
Install the feet.



Install the feet (**3**) to the lifting columns with the 8x M6 screw (**A**) and tighten with the hex wrench (**C**).

Step 3

Install the motor and power cables.



Connect the motor plug to the control box. Connect one end of the adapter plug to the adapter, and the other end to the power cables.

The motor and power lines can be fixed in place by the cable clamp as required.

OPERATION

Control panel



1. Long press the up/down buttons to adjust the height of the desk; the screen will show “bot” when the desktop runs to its lowest point and “top” when the desktop runs to its highest point.
2. 1, 2, 3, 4 are the four height memory keys; press and hold the desired button for 3s to save the current desk height to the relevant key.
3. Press the 3 and 4 buttons simultaneously; the screen will display RST direction. Continue holding the 3 and 4 buttons to factory reset the unit.
4. The desk has two USB ports and one USB type-C port; these can supply power to other electronics. Each channel has a maximum output of DC 5V/2.4A power when the desktop is stationary, and power output will stop when the desktop is running. The unit will resume power output after 5s of inactivity.
5. Short press the “LOCK” button to enable the child lock function to avoid accidental adjustment and guarantee the safety of children. The screen will show “Loc” when the desk is locked; short press the “LOCK” button again to unlock the desk.
6. Press and hold the up and down button simultaneously to adjust the sensitivity of the anti-collision function. The anti-collision function will be disabled when the screen shows “L-0”, and the sensitivity can be set between levels 1-3 from least to most sensitive, with the screen showing “L-1” to “L-3” accordingly.

TROUBLESHOOTING

- a. Reset: When the LED shows “RSF”, press and hold the “▼” button until the desk reaches its lowest height and rebounds to stop; it means the reset has been finished.
- b. If the reset function fails and the LED shows “E01” or “E02”, retry 18 mins later.
- c. If the “▼” button does not work, check the cable connection is secure and then disconnect power to the unit for at least 10 seconds. Reconnect to power and press the “▼” button to start the reset process when “RSF” appears.
- d. If all the above processes do not resolve the issue, contact Kogan.com.

Common fault treatment

The following tips will help you detect and eliminate common faults and errors. If the fault you encounter is not listed below, please contact Kogan.com. Do not attempt to disassemble or repair the product yourself.

Fault	Possible solution
No response while long-pressing down arrow after connected with a power supply	1. Ensure all cables are properly connected
	2. Contact Kogan.com
No response while pressing up arrow/ down arrow after connected with a power supply	1. Ensure all cables are properly connected
	2. Contact Kogan.com
Rising at a low speed	1. Check if overloaded, max loading: 50kg
	2. Contact Kogan.com
The motor does not move as instructed	1. Contact Kogan.com
Desk descends but will not ascend	1. Reposition
	2. Contact Kogan.com
Desk slides downwards	1. Check if overloaded, max loading: 50kg
	2. Contact Kogan.com
Frequent repositioning required	1. Check if overloaded, max loading: 50kg
	2. Contact Kogan.com
Overwork (Duty cycle: Max. 2min on/18min off)	1. Restart after suspending for 18mins while connected to power
	2. Contact Kogan.com

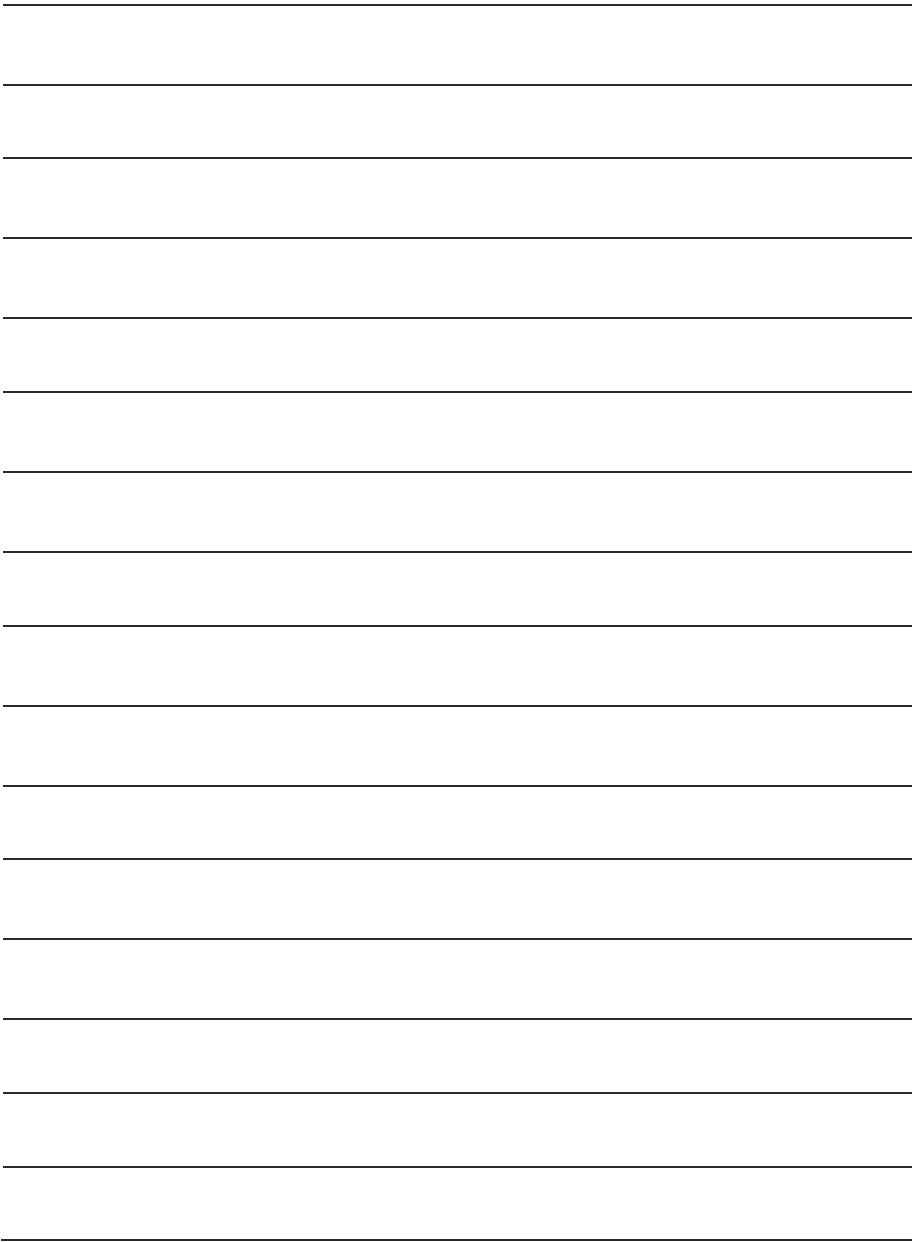
SPECIFICATIONS

Max. weight capacity	50kg
Height range	720-1210mm
Drawer stroke	230mm
Charging ports/Child lock	Yes
Power supply	AC100V-240V, 50/60Hz
Service environment	0-40°C

Disposal



This marking indicates that this appliance should not be disposed with other household wastes. To prevent possible harm to the environment or human health from uncontrolled waste disposal, recycle it responsibly to promote the sustainable reuse of material resources.



Need more information?

We hope that this user guide has given you the assistance needed for a simple set-up. For the most up-to-date guide for your product, as well as any additional assistance you may require, head online to **help.kogan.com**

kogan