



10-IN-1 MULTI FOOD PROCESSOR

KA10FDPRWSA

SAFETY & WARNINGS

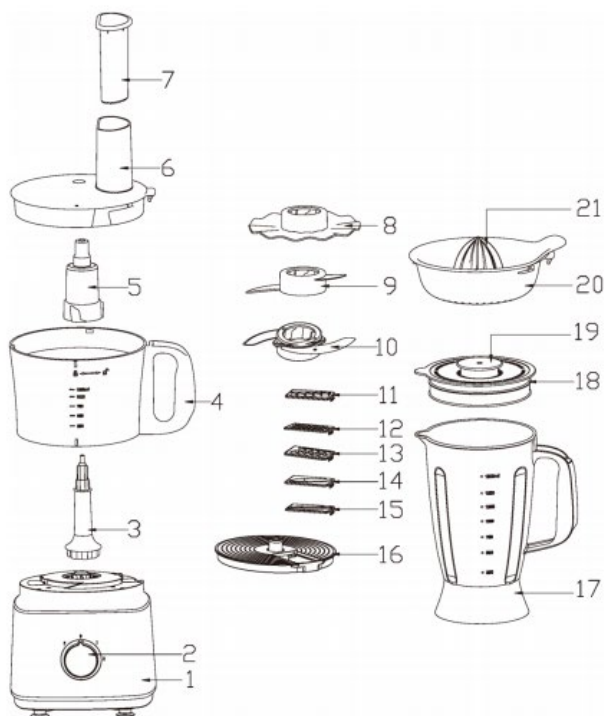
When using electrical appliances, basic safety precaution must always be followed:

- Carefully read all instructions before operating and save for future reference.
- This appliance is for normal household use only.
- This appliance is not intended for use by persons (including children) with reduced physical, sensory or mental capabilities or lack of experience and knowledge unless they have been given supervision or instruction concerning use of the appliance by a person responsible for their safety.
- Young children must be supervised to ensure that they do not play with the appliance.
- Do not attempt to repair this product yourself. If the product or its power supply experiences any malfunction or damage, stop using it immediately and contact Kogan.com to arrange a repair.
- This appliance includes a safety switch which prevents operation unless the accessories are securely installed.
- This appliance incorporates a protective device against high temperatures. If the temperature becomes too high, the unit will turn off automatically and will resume operation when the motor has cooled sufficiently (after about 15 minutes).
- Do not operate the appliance for more than a minute consecutively.
- If an operation is not finished within 1 minute, turn off the machine and let it cool for 10 minutes before the next round of operation. If more than 5 rounds of operation are required, cool the machine for 90 minutes to room temperature before the next 5 rounds. This can lengthen the lifespan of the machine.
- The temperature of accessible surfaces may be high during operation.
- To protect against the risk of electric shock, fire or personal injury: do not immerse power cord, plug or motor base in water or any form of liquid.
- Unplug the appliance when it is not in use and before cleaning.
- Do not push food using your fingers or other objects, such as knives. Always use the included pusher.
- Be extremely careful when handling blades and inserts, especially while assembling and disassembling and cleaning after use. Blades are very sharp.
- Do not let the power cord hang over the edge of a table or counter or touch any hot surface.
- Do not place the appliance near a gas outlet, electric burner or heated oven.
- Wait until all the components stop running before unplugging the power cord and taking off the processing bowl.
- Ensure that the capacities shown in the specifications section are not exceeded.
- The appliances are not intended to be operated by means of an external timer or separate remote-control system.

Before First Use

After unpacking, disassemble the unit before using for the first time. Refer to “HOW TO DISASSEMBLE” for directions. Wash all parts except motor base in warm, soapy water. Rinse and dry immediately. **DO NOT IMMERSE MOTOR BASE IN WATER.**

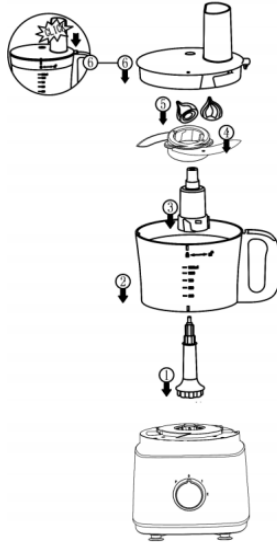
OVERVIEW



1	Motor base	2	Knob
3	Driver	4	Processing bowl
5	Blade adapter	6	Bowl cover
7	Pusher	8	Emulsifying disc
9	Kneading blade	10	Chopper blade
11	French fry blade	12	Fine shredding blade
13	Coarse shredding blade	14	Fine slicing blade
15	Coarse slicing blade	16	Blade holder
17	Blender	18	Blender lid
19	Centre measure cup	20	Citrus Juicing Plate
21	Citrus Juicing Head		

ASSEMBLY

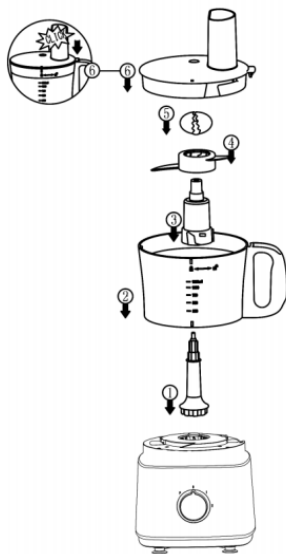
Chopper Blade



1. Position Driver on motor base.
2. Position processing bowl on Driver and turn clockwise to install firmly.
3. Place blade adaptor onto the Driver.
4. Place chopper onto the blade adaptor.
5. Turn the chopper to the right position.
6. Place cover on bowl, turn clockwise until cover interlocks on a bowl.
7. Place pusher into the feeding chute.

Processed Food	Measurement per batch
Chocolate	≤100g
Cheese	≤200g
Meat	≤500g
Tea or Spice	50-100g
Fruit & Vegetable	100-300gc
Onion	≤500g

Kneading Blade



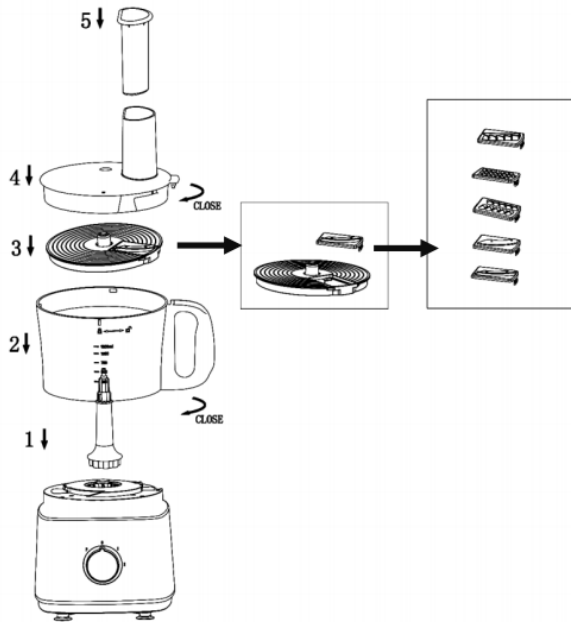
1. Place Driver on motor base.
2. Place bowl on Driver and turn clockwise to seat firmly on motor base.
3. Place blade adaptor onto the Driver.
4. Place kneading blade onto the blade adaptor.
5. Turn the kneading blade to the right position.
6. Place cover on bowl, turn clockwise until cover interlocks on a bowl.
7. Place pusher into the feeding chute.

Processed Food	Measurement per batch
Flour/Soft Cheese	≤300g
Egg	≤5 pieces

Note: (Kneading Blade)

- Always attach kneading disc in the bowl before feeding food.
- Standard kneading period: 30-180 seconds.

Fine and Coarse Slicing Blade, Fine and Coarse Shredding Blade, French Fry Blade

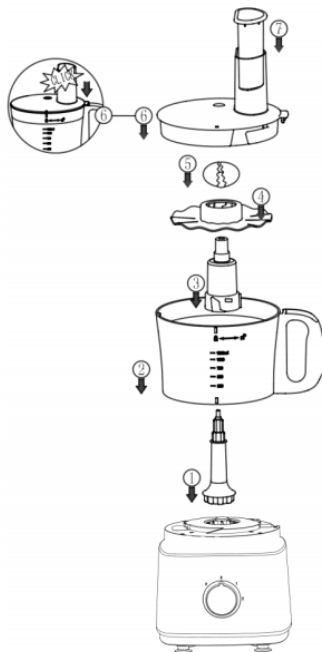


1. Position Driver on motor base.
2. Place bowl on Driver and turn clockwise to seat firmly on motor base.
3. Install desired blade onto the blade holder.
4. Place blade holder onto the Driver.
5. Place cover on bowl.
6. Turn cover clockwise until cover interlocks on a bowl.
7. Put food into the feeding chute.
8. Use pusher to push the food down for processing.

Notes

- Choose desired disc blades according to type and desired shape of food.
- Push softly feeding food in and do so gradually. Use a lower speed when cutting soft food to avoid the food turning soupy.
- Pre-cut food into small pieces according to the diameter of the feeding tube.
- If a large quantity of food needs to be cut, do so in several batches no larger than 1200ml each.

Emulsifying Plate Assembly



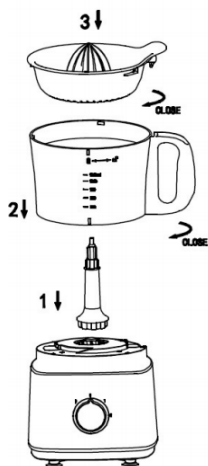
1. Position Driver on motor base.
2. Place bowl on Driver and turn clockwise to seat firmly on motor base.
3. Place blade adaptor onto the Driver.
4. Place Emulsifying plate onto the blade adaptor.
5. Turn the Emulsifying plate to the right position.
6. Place cover on bowl, turn clockwise until cover locks on a bowl.
7. Place pusher into the feeding chute.

Processed Food	Measurement per batch	Time per batch
Egg	2-5pcs	30-70 seconds
Cheese	125-350ml	20 seconds

Note: (Emulsifying Disc)

- Emulsifying Disc can be used to mix cheese and egg, to make mayonnaise and pudding rapidly.
- Do not use Emulsifying Disc to knead flour.

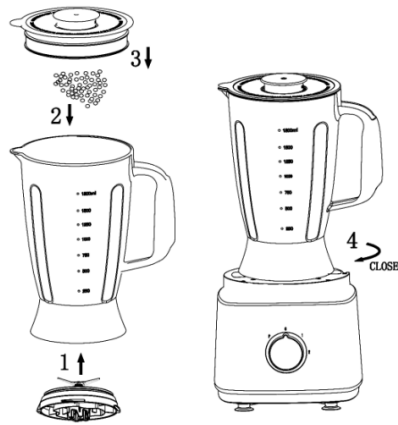
Citrus Assembly



Notice:

Install the citrus juicer attachment as above picture.

Blender Assembly



1. Make sure the blade base is fixed tightly.
2. Put food into the jar.
3. Install measuring cup and cover properly.
4. Put blender jar onto motor base vertically and then rotate the jar clockwise to fix it.

Tips and Warning

- Choose PULSE function for pre-mixing, recommended before an operation.
- 1800ml for one batch.
- Make sure the blade base is installed properly before an operation.
- A measuring cup can be used to add ingredients during operation.

How to Disassemble

- Remove pusher. Turn cover counter clockwise, lift and remove.
- Lift blade holder from the driver.
- Lift blade and remove from blade holder.
- Turn bowl counter clockwise to unlock from motor base. Lift and remove.

CLEANING & CARE

Wash all parts except motor base in warm, soapy water. The discs can be disassembled to wash with water, but be careful during disassembling.

DO NOT IMMERSE MOTOR BASE IN WATER.

SPECIFICATIONS

Voltage	20-240V/50Hz
Rated power	750W
Blender jar capacity	1800ml
Processing bowl capacity (Maximum)	2000ml (1200ml rated)

TROUBLESHOOTING

Problem	Solution
Not turning on	<ul style="list-style-type: none">• Ensure correct assembly.• Make sure that the power plug is plugged in properly.• Check if the mains have tripped or if there is a power outage.
Turning off during operation while running.	Processing bowl may loosen during vigorous processing. Please re-install the bowl cover.
Motor running but components do not run.	Make sure the Driver is installed correctly.

Need more information?

This is a **Quick Start Guide**, and we hope that this has given you the assistance needed for a simple set-up.

For the most up-to-date guide for your product, as well as any additional assistance you may require, head online to **help.kogan.com**

kogan