

2-IN-1 COMMERCIAL ICE CUBE MAKER AND WATER DISPENSER

KA21CBDISPA

SAFETY & WARNINGS

When using electrical appliances, basic safety precautions should be followed to reduce the risk of fire, electric shock, and injury to persons or property. Read and understand all instructions before using the appliance.

- Do not operate this or any other appliance with a damaged cord. Connect to properly polarised outlets only. No other appliance should be plugged into the same outlet. Be sure that the plug is fully inserted into the receptacle.
- Do not run the power cord over carpeting or other heat insulating surfaces. Do not cover the cord. Keep the cord away from traffic areas, and do not submerge in water.
- The use of an extension cord is not recommended, as it may overheat and present a risk of fire.
- Unplug the icemaker before cleaning or maintenance is carried out.
- Exercise caution and use reasonable supervision when the appliance is used near children.
- Do not use the icemaker outdoors. Place the icemaker away from direct sunlight and make sure that there is at least 4 inches of space between the back of the unit and the closest wall. Keep a minimum distance of 4 inches free on each side of the unit.
- Do not use any liquid to make ice other than water.
- Do not clean the ice maker with flammable fluids, as the fumes can create a fire hazard or explosion.
- Do not tip the unit over. If the icemaker is brought in from outside in winter, allow a few hours for it to warm up to room temperature before plugging it in.
- If the supply cord is damaged, it must be replaced by Kogan.com or its service agent to avoid a hazard.
 - This ice maker must be positioned so that the plug is easily accessible.
 - Disconnect the mains plug from the supply socket when not in use, where supply connection is via mains plug.

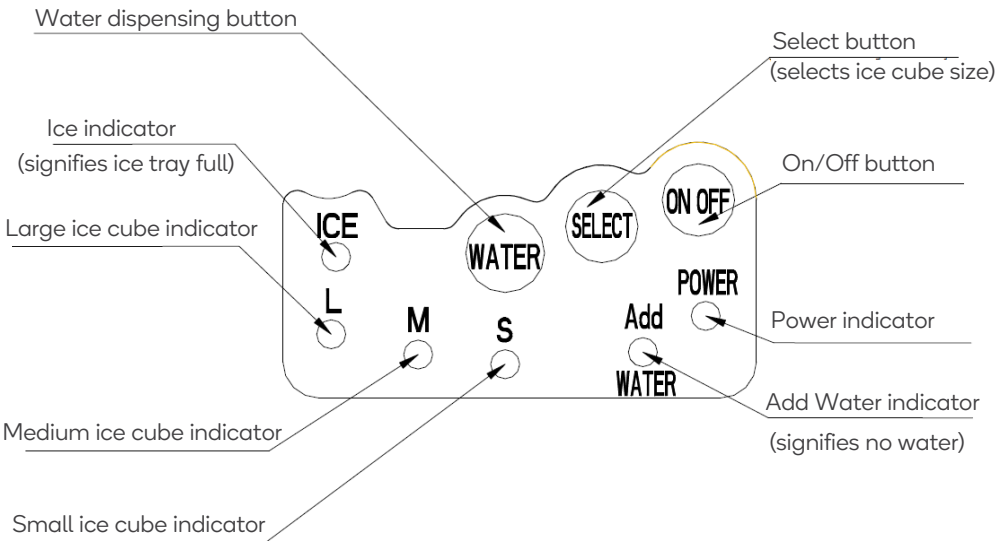
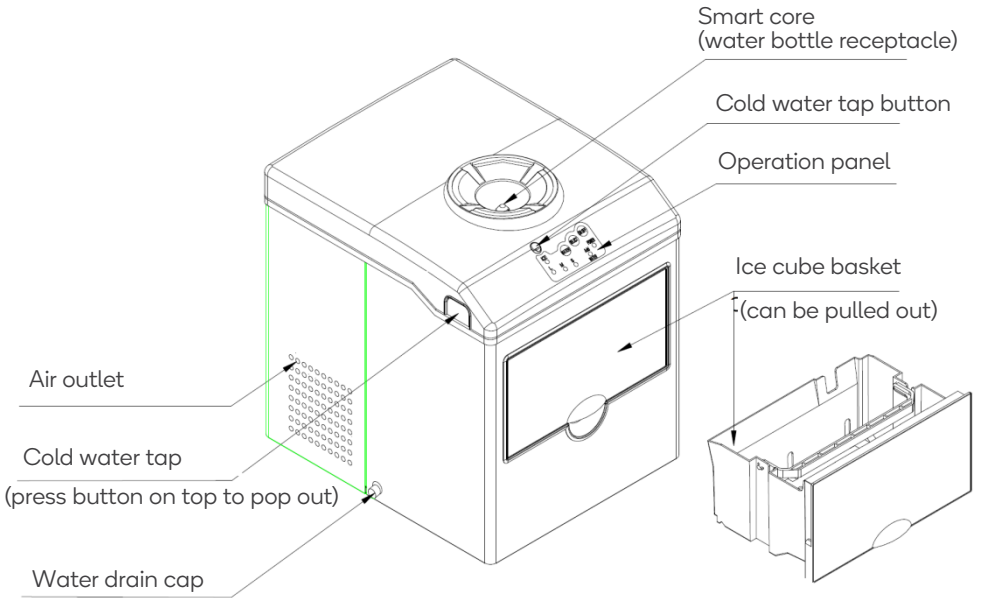
WARNING: This appliance must be earthed.

- Do not store explosive substances such as aerosol cans with a flammable propellant in this appliance.
- This appliance is intended to be used in household and similar applications such as
 - Staff kitchen areas in shops, offices, and other working environments,
 - Farmhouses and by clients in hotels, motels, and other residential type environments,
 - Bed and breakfast type environments,
 - Catering and similar non-retail applications.

WARNING:

- Risk of fire/flammable materials used. According to local regulations regarding disposal of the appliance for its flammable blowing gas.
 - Keep ventilation openings, in the appliance enclosure or the built-in structure, clear of obstruction.
 - Do not damage the refrigerant circuit.
 - Do not use mechanical devices or other means to accelerate the defrosting process or ice harvesting process, other than those recommended by Kogan.com.
 - Do not use another type of electrical appliances inside the icemaker.
-
- To avoid hazards due to instability of the appliance, it must always be placed on an even, stable, and flat surface.

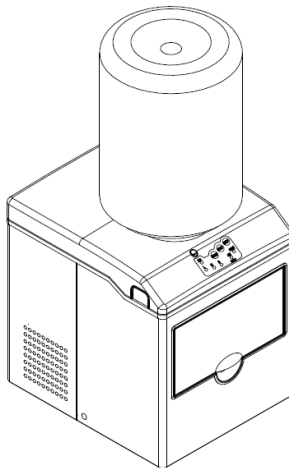
OVERVIEW



OPERATION

Unpacking the appliance

1. Remove the exterior and interior packaging. Check that ice scoop is included. If any parts are missing, please contact Kogan.com.
2. Clean the interior with lukewarm water and a soft cloth. Take out the ice basket and clean it.
3. Find a location for the ice maker that is protected from direct sunlight and other sources of heat (i.e.: stoves, furnaces, and radiators). Place the icemaker on a level surface. Make sure that there is at least 4 inches of space between the back and sides of the icemaker and the wall.
4. Allow one hour for the refrigerant fluid to settle before plugging the icemaker in.
5. The appliance must be positioned so that the plug is easily accessible.
6. Before placing water bottle on the unit, be sure that the drain plug on the back is tightly fastened.
7. Hold the water bottle vertically and upside down (over the unit) and place the water bottle into the smart core receptacle. Apply slightly pressure to pierce the bottle cap with the spigot. This unit accepts two, three or five-gallon water bottles with pierceable sealed caps.



Connecting the appliance

DANGER

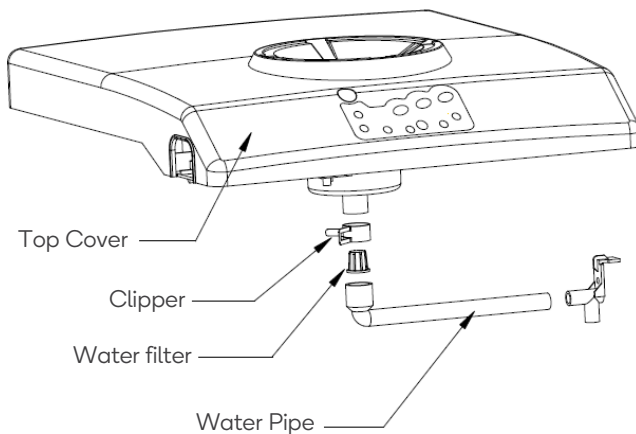
Improper use of the grounded plug can result in the risk of electrical shock. If the power cord is damaged, discontinue use and contact Kogan.com.

1. This unit should be properly grounded for user safety. The power cord of this appliance is equipped with a three-prong plug which mates with standard three-prong wall outlets to minimize the possibility of electric shock.
2. Plug your appliance into an exclusive, properly installed, grounded wall outlet. Do not, under any circumstances, cut or remove the third (ground) prong from the power cord. Any questions concerning power and/or grounding should be directed toward a certified electrician.
3. This appliance requires a standard 220~240 volt, 50Hz electrical outlet with a three-prong ground.

Making ice cubes

1. Press On/Off on the control panel to begin the ice making cycle.
2. Select the size of the ice cube by pressing the Select button.
3. The ice making cycle lasts 6 to 15 minutes, depending on the size of the ice cube selected and the ambient temperature. During extreme temperatures, the operational time will differ significantly.
4. If the water pump cannot inject water, the ice maker will stop automatically, and the Add Water indicator will illuminate on the operation panel. Check the water bottle and replace with a new bottle full of water as required.
5. Press On/Off button again to start the unit again.

6. If a new bottle full of water is inserted, but the Add Water indicator is still illuminated and the water pump is not working properly, check the two water filters:
 - A. The first water filter is in the bottom of the water tank; ensure it is clean and unobstructed.
 - B. The secondary water filter is displayed in the image on the next page. Release the clipper and the water pipe, then take out the water filter and clean it. Reinstall the water filter and use the clipper to fasten the water pipe again.



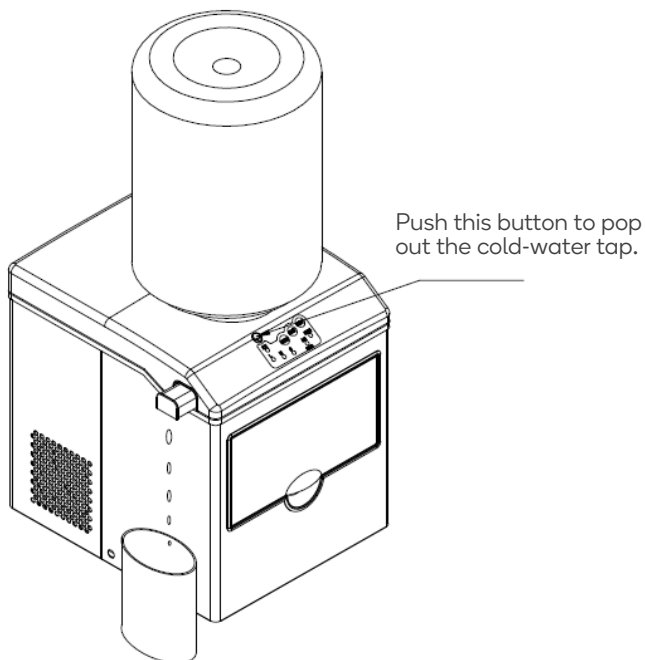
Allow the refrigerant liquid inside the compressor to settle for at least 3 minutes before restarting.

7. The icemaker automatically stops working when the Ice indicator on the operation panel is illuminated, signifying that the ice basket is full.

Pouring cold water

The water poured from the unit will only be cold after the icemaking process has operated for 30mins or more.

1. Press the button near the operation panel to pop out the cold-water tap.
2. Press the Water Dispensing Button on the operation panel to dispense cold water from the tap. Release the button when the receptacle has been filled.



CLEANING & CARE

Before using your ice maker, it is strongly recommended to clean it thoroughly.

1. Take out the ice basket.
2. Clean the interior with diluted detergent, warm water and a soft cloth.
3. Use the water to rinse the interior parts and drain out the water by unplugging the drain cap on the side.
4. The outside of the ice maker should be cleaned regularly with a mild detergent solution and warm water.
5. Dry the interior and exterior with a soft cloth.
6. When the machine is not in use, open the water drain cap to drain the water completely from the water reservoir.

SPECIFICATIONS

Description	Ice maker using bottled water, with cold water dispensing function
Protection Type	I
Climate Type	SN/N/ST/T
Power Rating	220-240V/50Hz
Ice-making Rated Current	1.1A
Ice-harvest Rated Current	1.3A
Refrigerant	R290 / 33g
Vesicant	C5H10
Enclosure	Stainless steel
Dimension	357mm (W) x 423mm (D) x 452mm (H)
Net Weight	15Kg

TROUBLESHOOTING

PROBLEM	POSSIBLE CAUSE	SOLUTION
Add Water indicator is illuminated.	Lack of water.	Stop the ice maker, replace with a new bottle full of water, and then restart it.
	One of the water filters is blocked.	Check both water filters for obstruction and clean them.
Ice indicator is illuminated.	The ice basket has filled with ice-cubes.	Remove and empty the ice basket.
Ice cubes stick together.	The ice cycle has been operating for too long.	Stop the ice maker and restart it when the ice blocks melt. Select the small ice button.
	Water temperature in the inner tank is too low.	Change the water in the inner tank. The optimal temperature of the water is between 8-32°C.
Ice making cycle appears normal, but no ice is made.	Ambient temperature or water temperature in the inner tank is too high.	Run the ice maker in environments below 32°C. Pour colder water into the tank.
	Refrigerant liquid leakage.	Contact Kogan.com
	Pipe in the cooling system is blocked.	Contact Kogan.com

Need more information?

We hope that this user guide has given you the assistance needed for a simple set-up. For the most up-to-date guide for your product, as well as any additional assistance you may require, head online to **help.kogan.com**

kogan