



323L BOTTOM MOUNT FRIDGE

KA323BTMNTA, KAM323BMSFA & KAM323BMSFC

SAFETY & WARNINGS

Read this manual thoroughly before first use, even if you are familiar with this type of product. The safety precautions enclosed here to reduce the risk of fire, electric shock and injury when correctly adhered to.

Make sure that you understand all instructions and warnings.

Keep the manual in a safe place for future reference, along with the warranty card and purchase receipt. If you sell or transfer ownership of this product, pass on these instructions to the new owner.

Always follow basic safety precautions and accident prevention measures when using an electrical appliance, including the following:

IMPORTANT: Pay particular attention to messages that contain the words **DANGER**, **WARNING** or **CAUTION**. These words are used to alert you to a potential hazard that can seriously injure you and others. The instructions will tell you how to reduce the chance of injury and let you know what can happen if the instructions are not followed.



Caution
Risk of fire

This symbol alerts you to take care as this appliance contains a flammable refrigerant (isobutene) and insulation blowing gas (cyclopentane). Do not expose it to high heat, sparks and open flames.

The refrigerant isobutene (R600a) is contained within the refrigerant circuit of the appliance, a gas with a high level of environmental compatibility, which is nevertheless flammable. During transportation and installation of the appliance, ensure that none of the components of the refrigerant circuit become damaged.

WARNING: Do not damage the refrigerant circuit! Never use an appliance with a damaged refrigerant circuit! If the refrigerant circuit becomes damaged, avoid proximity to open fires and all types of heat and ignition sources. Thoroughly ventilate the room in which the appliance is located.

DANGER: It is hazardous for anyone other than an authorised service person to service this appliance. In Queensland, the authorised service person **MUST** hold a Gas Work Authorisation for hydrocarbon refrigerants to carry out servicing or repairs which involve the removal of covers.

The room for installing the appliance must be at least 1m per 8g of refrigerant. The amount and type of refrigerant in the appliance can be found in the Technical Specifications on page 17 and the rating plate, found on the appliance.

Usage Conditions and Restrictions

- **Domestic use only:** This appliance is intended for indoor household use only. It is not intended for commercial, industrial or outdoor use. It is not intended for use in a recreational vehicle.
- **Purpose:** Do not use this appliance for anything other than its intended purpose. Other uses are not recommended and may cause fire, electric shock or personal injury.

- Attachments: The use of attachments is not recommended by the appliance manufacturer and distributor as they may be hazardous.
- Improper use: Damage due to improper use or repairs made by unqualified personnel will void your warranty. It assumes no liability for any eventual damages caused by misuse of the product or noncompliance with these instructions.
- WARNING: Do not use mechanical devices or other means to accelerate the defrosting process, other than those recommended by the manufacturer.
- WARNING: Do not damage the refrigerant circuit.
- WARNING: Do not use electrical appliances inside the appliance, unless they are of the type recommended by the manufacturer.
- Usage restriction: This appliance is not intended for use by persons (including children) with reduced physical, sensory or mental capabilities or lack of experience and knowledge unless they have been given supervision or instructions concerning the use of the appliance by a person responsible for their safety.
- Children: Supervise young children to ensure they do not play with the appliance. Never allow children to operate, play with or crawl inside the appliance.
- Explosive or flammable substances: Do not store explosive substances such as aerosol cans with a flammable propellant in this appliance. Do not store or use petrol or any other flammable vapours and liquids in the vicinity of this or any other appliance. Do not use such substances for cleaning the appliance. The fumes can create a fire hazard or an explosion.
- Damage: Do not use the appliance if the power cord, plug or the appliance itself is damaged. If the cord is damaged, contact the after-sales support line and have the cord replaced by qualified personnel to avoid a hazard.
- Do not modify: Do not attempt to alter or modify this appliance in any way
- Repair: Do not attempt to repair or replace any part of this appliance unless it is specifically recommended in this manual. All other servicing should be referred to a qualified technician. Contact the after-sales support line for advice.

Electrical Safety

- Voltage: Before connecting and turning on the appliance, ensure the electrical voltage and circuit frequency correspond to that indicated on the appliance rating label.
- Earthing: This appliance should be properly earthed for your safety. The power cord of this appliance is equipped with a three-prong plug for use in standard wall outlets to minimise the possibility of electrical shock. Do not modify the cord and/or plug provided with the appliance. Improper use of the earthed plug can result in the risk of electric shock.
- Connection: This appliance requires a standard 220-240V AC 50Hz electrical outlet. Do not overload the electrical circuit.
- Power cord: Do not kink or damage the power cord; do not leave it exposed or dangling. Secure it at the back of the appliance so no one steps on or places anything on the cord or against it. Keep the cord out of reach of children. When moving the appliance, make sure not to damage the power cord.

- **Auxiliary Items:** Do not use an inverter, adaptor or extension cord with this appliance. If the cord is too short, have a qualified electrician install an outlet near the appliance. Use of an extension cord and an inverter can negatively affect the performance of the unit.
- **Protect from moisture:** To protect against the risk of electric shock, do not immerse the unit, cord or plug in water or spray it with any other liquid. Do not connect or disconnect the electric plug when your hands are wet. Turn the power switch off before removing the plug from the socket.
- **WARNING: Disconnect!** To reduce the risk of fire, electric shock or personal injury, always unplug the appliance from the socket when not in use, when moving and before cleaning or servicing. Never unplug the unit by pulling the power cord. Always grip the plug firmly and pull straight out from the power point.
- **Electrical work:** Any electrical work required for the installation of this appliance should be carried out by a qualified electrician.

Never use this appliance with a damaged refrigerant circuit! If the coolant circuit becomes damaged, avoid proximity to open fires and all types of heat sources. The room in which the appliance is located should be ventilated for a few minutes.

Installation

Heavy: This appliance is heavy, take care when moving it. To avoid back or other injuries, consider a two-person lift or mechanical aid when installing it. Failure to do so can result in back or other injury.

Damage: When unpacking, check the appliance carefully for damage. If it is damaged, do not install the appliance. Contact the after-sales support centre on 1300 256 426 for advice on examination or return of the damaged appliance.

Protect from moisture: Install the appliance in an indoor area protected from wind, rain, water spray or drips.

Protect from heat: Do not install the appliance next to an oven, grill or other sources of high heat or where it will be exposed to direct sunlight for prolonged periods.

WARNING: Ventilation: To ensure proper ventilation, keep any ventilation openings, in the appliance enclosure or the built-in structure, clear of obstructions. Ensure adequate air circulation around the appliance to prevent overheating.

Level: Install the appliance level to ensure proper operation.

Cleaning and Maintenance

Disconnect: Unplug the appliance before cleaning or servicing. Failure to do so can result in electric shock, injury or death. Do not connect or disconnect the plug when your hands are wet.

Flames: Do not let open flames or ignition sources enter the appliance.

Flammable/explosive substances: Never clean this appliance with flammable fluids. Do not store or use volatile, flammable or explosive propellants or liquids in or close to this or any other appliance. The fumes can create a fire hazard or explosion.

Solvents: Do not use solvent-based cleaning agents or abrasives on the interior as these may damage or discolour the surfaces of the appliances.

WARNING: Do not use mechanical devices or other means to accelerate the defrosting process. Never use a sharp or metal instrument to remove frost or clean the appliance. Use a plastic scraper, if necessary.

Service: Do not attempt to repair, modify or replace any part of the appliance unless specifically recommended in this manual. Refer all other servicing to a qualified technician or contact the after-sales support line for advice on examination or repair of the appliance.

Responsible Disposal

Note: At the end of its working life, do not throw this appliance out with your household rubbish. Electrical and electronic products contain substances that can have a detrimental effect on the environment and human health if disposed of inappropriately. Observe any local regulations regarding the disposal of electrical consumer goods and dispose of it appropriately for recycling and recovery of the refrigerant and blowing agent. Contact your municipal authorities for advice on recycling facilities in your area.

WARNING: This refrigeration appliance contains flammable refrigerants and insulation blowing gases, which must be removed before disposal. Contact your municipal authorities for any codes or regulations concerning the disposal of such materials.

Standards: This product complies with AS/NZS 60335.1 and AS/NZS 60335.2.24 electrical safety, and with EN 55014-1:2006+A1:2009 A2:2011 for electromagnetic compatibility.

OVERVIEW

Key Components

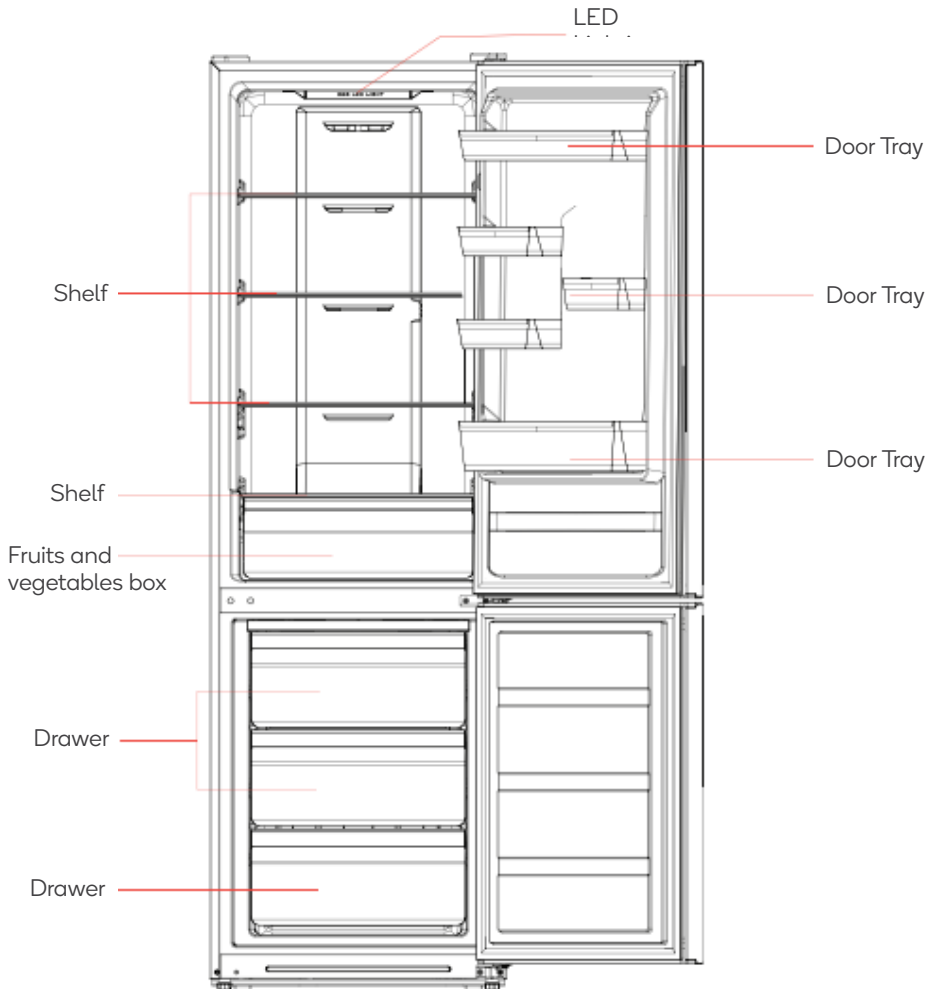
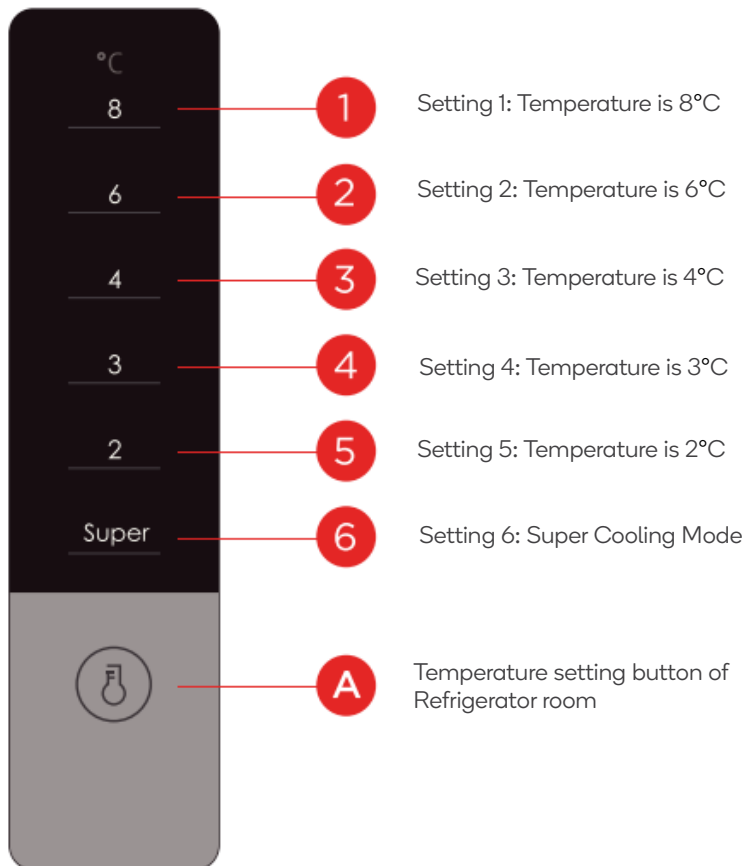


Illustration is for reference only. Actual design and configuration may differ on final product.

Control Panel



Refrigerating Chamber

- The Refrigerating Chamber is suitable for storage of a variety of fruits, vegetables, beverages, and other food consumed in the short term.
- Cooked foods shall not be placed in the refrigerating chamber until cooled to room temperature.

Freezing Chamber

- The low-temperature freezing chamber may keep food fresh for a long time and it is mainly used to store frozen foods and making ice.
- The freezing chamber is suitable for storage of meat, fish, rice balls and other foods not to be consumed in the short term.
- Chunks of meat are preferable to be divided into small pieces for easy access. Please be noted food shall be consumed within the shelf time.

UNPACKING

- **Packaging materials:** This appliance has been packaged to protect it against transportation damage. Remove all packaging materials from around and inside the appliance and keep the original packaging carton and materials in a safe place. It will help prevent any damage if the product needs to be transported in the future and you can use it to store the appliance when it is not in use. In the event the carton is to be disposed of, please recycle all packaging materials where possible.
- **Suffocation:** Plastic wrapping can be a suffocation hazard for babies and young children, so ensure all packaging materials are out of their reach and disposed of safely.
- **Power cord:** Unwind the power cord to its full length and inspect it for damage. Do not use the appliance if it or its cord have been damaged or are not working properly. In case of damage, contact the after-sales support line for advice on examination, repair or return of the damaged product.
- **Read the manual:** Read this manual to familiarise yourself with the appliance. Pay particular attention to the safety instructions on the previous pages.
- **Clean:** To remove any dust from transit and storage, clean the interior and exterior surfaces of the appliance with lukewarm water and a soft cloth. Dry thoroughly. **Important:** do not use harsh or abrasive detergents or powders as these will damage the finish.

INSTALLATION

- Two-person installation: Use two or more people to move and install the appliance. Failure to do so can result in back or other injuries.
- Freestanding design: This appliance is designed to be freestanding only and should not be recessed or built-in.
- Floor surface: This appliance must be properly positioned on a dry, sturdy, level surface that is strong enough to support it when it is fully loaded.
- Ambient temperature: The ambient temperatures must correspond to the climate class (ST/N) indicated on the rating plate of the appliance: 16°C - 38°C
- Clearances: Ensure that air can circulate freely around the back of the cabinet, which is necessary to cool the compressor and condenser. Allow at least 10cm clear space at the back, 10cm at the sides of the unit and 30cm between the top and any surface above (i.e. a benchtop). If you are installing your refrigerator next to a fixed wall, leave sufficient space on the hinge side to allow for the door to swing open.

Do not install/use the appliance in the following locations/situations:

- In moist areas or areas of high humidity
- In a recreational vehicle or for use with an inverter
- Indirect sunlight, near heat sources, next to an open flame, cooking or heating appliance or near any other source of high heat.
- Direct sunlight may affect the acrylic coating and heat sources may increase the unit's power consumption. For best energy efficiency install the appliance in the coolest area of the room.
- In an area with extreme cold ambient temperatures.
- In an area with excessive moisture and high humidity. Make sure it is protected from elements such as wind, rain, water spray or drips.
- In an area where petrol or other explosive and/or flammable liquids or fumes are used or stored. The fumes can create a fire hazard or explosion.

Electrical Connection

- **WARNING:** It must be possible to disconnect the appliance from the mains power supply; the plug must, therefore, be easily accessible after installation.
- Before plugging in your new bar fridge, let it stand upright for at least 2 hours. This will allow the refrigerant gases to settle into the compressor and reduce the possibility of a malfunction in the cooling system.
- The appliance must be earthed. The plug of the power supply cord is equipped with a contact for this purpose. Do not under any circumstances cut or remove the

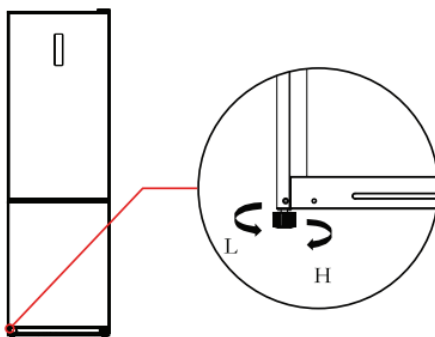
third (earth) prong from the power cord. If the plug does not fit your outlet, consult a licensed electrician for advice to have the outlet changed.

- Plug the unit into a dedicated, properly earthed wall outlet. Ensure that your outlet voltage and circuit frequency correspond to the voltage stated on the rating label.
- Secure the bar fridge's supply cord behind the unit. Do not leave it exposed or dangling to prevent injury and accidental disconnection from the power supply
- Adjust the temperature control as described below,
- When first starting up and after a period out of use, allow the unit to cool down for at least 2-3 hours (4 hours if starting up during warm weather in summer) before placing food in the bar fridge.

Schematic Diagram of the Levelling Feet

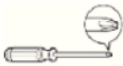



The picture above is only for reference. The actual configuration will depend on the physical product or statement by the distributor.

Adjusting procedures:

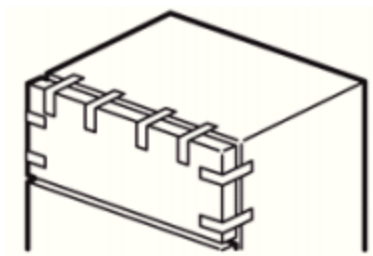


- Turn the feet clockwise to raise the refrigerator;
- Turn the feet counterclockwise to lower the refrigerator;
- Adjust the right and left feet based on the procedures above to a horizontal level.

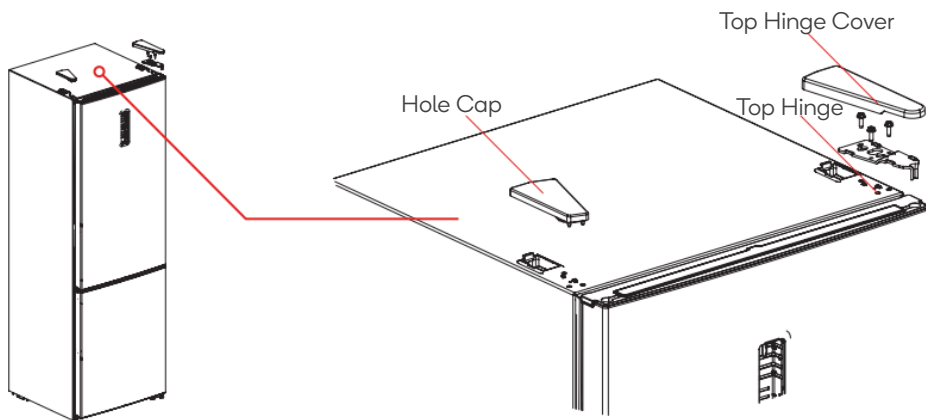
Door Reversal (Hinge kit supplied in accessory bag)

Tools required (not supplied)			
	Cross screwdriver		Putty knife thin-blade screwdriver
	5/16"socket and ratchet		Masking tape

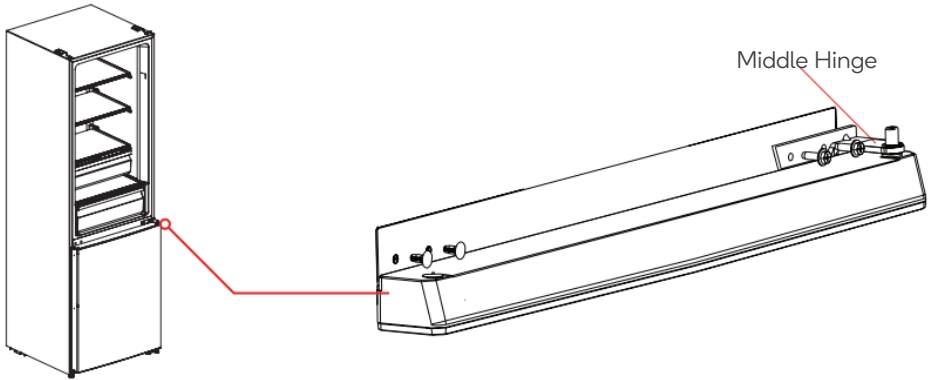
1. Remove all food from the inner door liner. Tape the door shut with masking tape



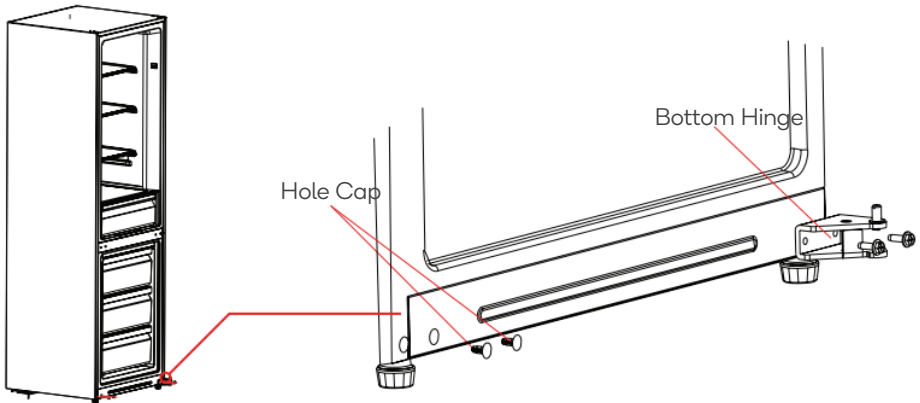
2. Take off top hinge cover, top hinge and the hole cap using thin blade screwdriver or ratchet as required.



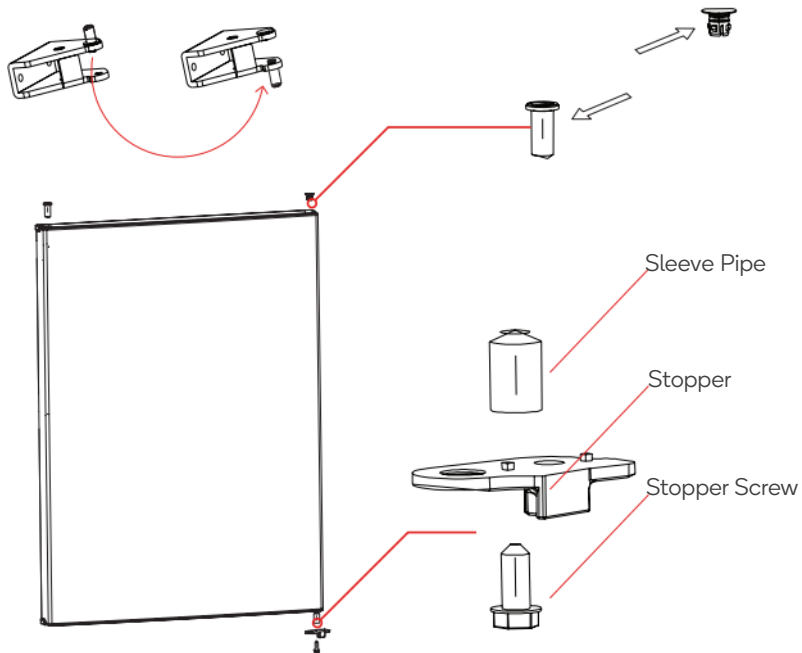
3. Remove the refrigerating door signal line by unplugging the connection. Take off refrigerating chamber door as well as a middle hinge, hole cap.



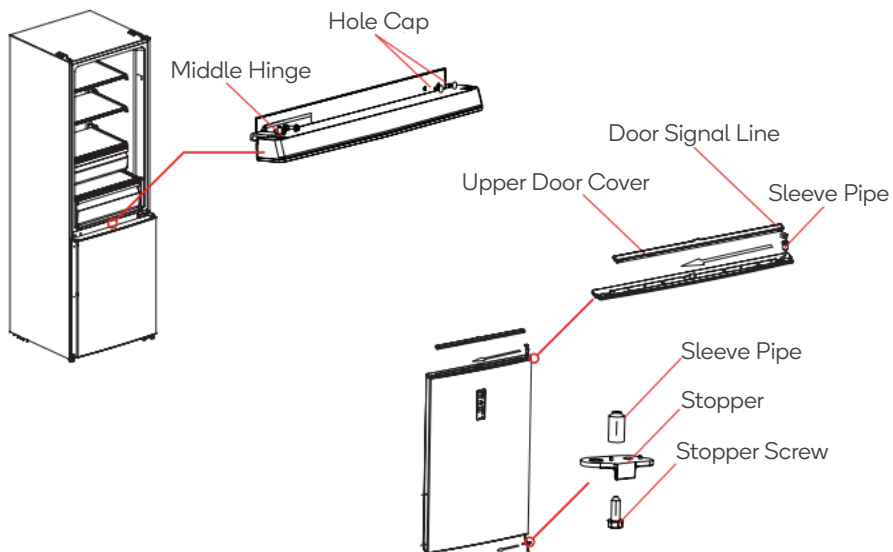
4. Take off freezing chamber door, dismount bottom hinge, hole caps,



5. Remove sleeve of the bottom hinge and fit the opposite side, mounting the bottom hinge on the other side. Take off the bottom stopper of freezing chamber door and mount additional bottom stopper supplied on the other side. Take off the sleeve pipe and hole caps on the freezing chamber door and mount it on the other side.



- Place refrigerating door on a middle hinge and mount top hinge; Mount top hinge cover and hole cap.



Changing the Light

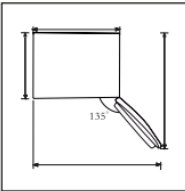
Any replacement or maintenance of the LED lamps is intended to be made by the manufacture, its service agent or similarly qualified person.

First power on



Before the initial start, keep the refrigerator still for two hours before connecting it to the power supply.

Before putting any fresh or frozen foods, the refrigerator shall have run for 2-3 hours (or above 4 hours in summer when the ambient temperature is high).



Leave enough space for the opening of the doors and drawers.

Energy Saving Tips

- The appliance should be located in the coolest area of the room, away from heat-producing appliances or heating ducts and out of the direct sunlight.
- Let hot foods cool to room temperature before placing in the appliance. Overloading the appliance forces the compressor to run longer. Foods that freeze too slowly may lose quality or spoil.
- Be sure to wrap foods properly and wipe containers dry before placing them in the appliance. This cuts down on frost build-up inside the appliance.
- Appliance storage bins should not be lined with aluminium foil, wax paper or paper towelling. Liners interfere with cold air circulation, making the appliance less efficient.
- Organise and label food to reduce door openings and extended searches. Remove as many items as needed at one time and close the door as soon as possible.

OPERATION

Display

When powering on the refrigerator, the icons ("Super", "2", "3", "4", "6", "8" and button (Ⓢ)) illuminate for 3s, then the screen displays the set temperature.

Display of Normal Running

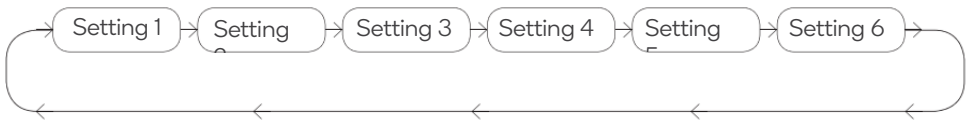
On the occurrence of a failure, the corresponding icons with the error codes and types are shown as follows:

Error Code	Error Description	Display
E1	The temperature sensor of the refrigerator room fails	The icons "Super" & "2" blink
E5	Defrosting sensor of Freezer room fail	The icons "Super" & "3" blink
E6	Communication error	The icons "2" & "4" blink
E7	Ambient temperature sensor fails	The icons "Super" & "4" blink
E10	Sticking problem with Button	The icons "2" & "3" blink

If no failure, the screen displays the setting temperature of the refrigerator room.

Temperature Setting

The temperature setting will be changed once you press a button (Ⓢ). Then, the refrigerator will run according to the new temperature setting after 15s.

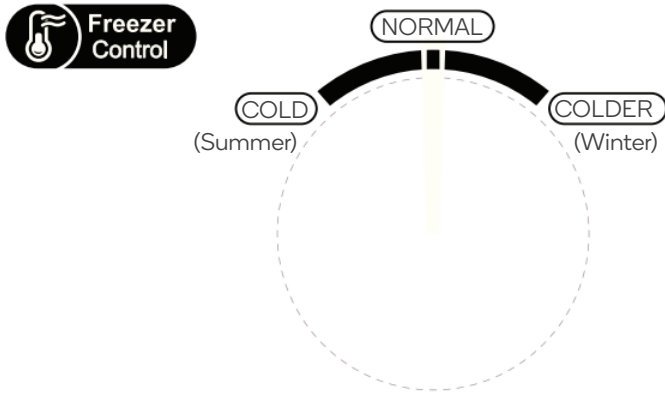


Super Cooling Mode

Enter: Press the super button (Ⓢ) until the icon "Super" lights up.

During super cooling mode, the refrigerator runs according to the temperatures set at 2°C and it will exit this mode automatically after running for 150 minutes.

Temperature Control of Freezing Chamber



The freezing temperature is relatively low in “COLDER” position, while the freezing temperature is relatively high in “COLD” position, thus, “NORMAL” position is generally used.

When the ambient temperature is high in summer, the temperature shall be in the range from “NORMAL” to “COLD”. If the ambient temperature is above 35°C, then “COLD” position shall prevail. When the ambient temperature is low in winter, the temperature shall be in the range from “NORMAL” to “COLDER”.

Note:

When set to colder position, the temperature of the freezing chamber will be colder, but it causes the cooling capacity of the refrigerating chamber to be lower.

CLEANING & CARE

Overall Cleaning

Dust behind the refrigerator and clean the floor around the appliance to improve the cooling effect and energy efficiency. The interior of the refrigerator should be cleaned regularly to avoid odour. Soft towels or sponges dipped in water and non-corrosive neutral detergents are suggested for cleaning. The freezer should be cleaned with clean water and a cloth.



Do not use hard brushes, clean steel balls, wire brushes, abrasives, such as toothpaste organic solvents (such as alcohol, acetone, banana oil, etc.), boiling water, acid or alkaline items clean refrigerator considering that this may damage the fridge surface and interior.

Do not rinse with water so as not to affect the electrical insulation properties.

WARNING: Please unplug the refrigerator for defrost and cleaning.

Defrosting

The refrigerator is made based on the air-cooling principle and thus has an automatic defrosting function. Frost formed due to change of season or temperature may also be manually removed by disconnection of the appliance from the power supply or by wiping with a dry towel.

Out of Operation

Power failure: In case of power failure, even if it is in summer, foods inside the appliance can be kept for several hours; during the power failure, reduce the times the door is opened and no more fresh food shall be put into the appliance.

Long-time non-use: The appliance shall be unplugged and then cleaned and then the doors are left open to prevent odour.

Moving: Before the refrigerator is moved, remove all objects from inside, fix the glass partitions, vegetable holder, freezing chamber drawers, etc. with tape and tighten the

levelling feet; close the doors and seal them with tape. During moving, the appliance shall not be laid upside down or horizontally or be vibrated;

The incline during movement shall be no more than 45°.

The appliance shall run continuously once it is started. Generally, the operation of the appliance shall not be interrupted or otherwise, the service life may be impaired.

SPECIFICATIONS

Product Dimensions	W 595 x D 630 x H 1880 mm
Weight	70kg
Gross Capacity	323L
Energy Rating (MEPS)	2.5 stars

Standards: This product complies with AS/NZS 60335.1 and AS/NZS 60335.2.24 electrical safety, and with EN 55014-1:2006+A1:2009 A2:2011 for electromagnetic compatibility.

TROUBLESHOOTING

Problem	Possible causes what to do
Failed operation	Check whether the appliance is connected to power or whether the plug is making good contact. Check whether the voltage is too low. Check whether there is a power failure or partial circuits have tripped.
Odour	Odorous foods shall be tightly wrapped Check whether there is any rotten food Clean the inside of the refrigerator.
Long-time operation of the compressor	Long operation of the refrigerator is normal in summer when the ambient temperature is high It is not recommended to have too much food in the appliance at the same time. Food shall get cool before being put into the appliance. The doors are opened too frequently.
Light fails	Check whether the refrigerator is connected to the power supply and whether the illuminating light is damaged.
Doors cannot be properly closed	The door is stuck by food packages. Too much food is placed within the appliance. The refrigerator is tilted.
Loud noise	Check whether the floor is level and whether the refrigerator is also level. Check whether accessories are placed at proper locations.
Door seal loose	Remove foreign matters on the door seal. Heat the door seal and then cool it for restoration (or blow it with an electrical drier or use a hot towel for heating).
Water pan overflows	There is too much food in the chamber or food stored contains too much water, resulting in heavy defrosting. The doors are not closed properly, resulting in frosting due to entry of air and increased water due to defrosting.
Hot housing	Heat dissipation of the built-in condenser via the housing, which is normal. When housing becomes hot due to high ambient temperature, storage of too much food or the compressor is shut down, provide sound ventilation to facilitate heat dissipation.
Surface condensation	Condensation on the exterior surface and door seals of the refrigerator is normal when the ambient humidity is too high. Just wipe the moisture with a clean towel.
Abnormal noise	Buzz: The compressor may produce buzzes during operation and the buzzes are loud particularly upon start or stop. This is normal. Creak: Refrigerant flowing inside of the appliance may produce creak, which is normal.

Need more information?

We hope that this user guide has given you the assistance needed for a simple set-up. For the most up-to-date guide for your product, as well as any additional assistance you may require, head online to **help.kogan.com**

kogan