



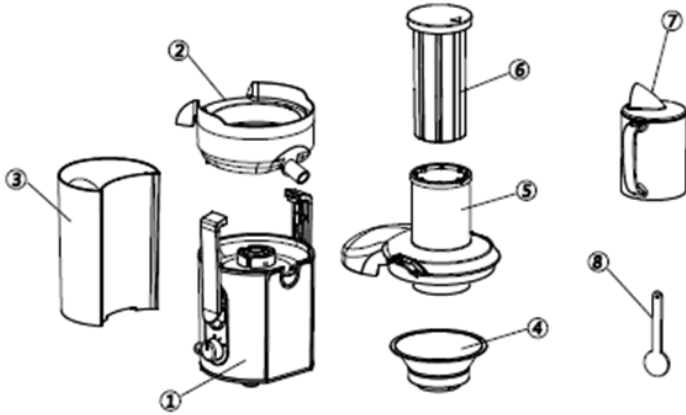
1000W CENTRIFUGAL JUICER

KAJCE10FSTA

SAFETY & WARNINGS

- Do not attempt to repair this product yourself. If the product or its power cord suffers any malfunction or damage, stop using it immediately and contact Kogan.com.
- Remove the plug from the socket and turn off the switch before removing any spare part from the product.
- Before every use, confirm that the plug, power cord, filter and any accessories are undamaged. If they are damaged, do not use the appliance.
- Ensure that all parts are installed securely before turning on the power.
- Ensure that all parts have stopped and the appliance has been unplugged before touching any parts or accessories.
- Do not leave the appliance running nonstop for more than 3 minutes at once. If the appliance has been running for 3 minutes, allow it to cool down for 7 minutes before using it again. It is recommended to stop operation and allow the motor to cool for 15-20 minutes after 2 cycles of 3-7 minutes.
- Never touch the blades or other moving parts during operation.
- NEVER insert hands into the feeding inlet, and ensure no non-food objects are near it; NEVER use other kitchen utensils or similar to push ingredients down the feeding inlet; NEVER position your face or eyes close to feeding inlet.
- Do not attempt to force any food larger than the feeding inlet into it.
- Do not use water hotter than 60°C to clean the product.
- Do NOT immerse the motor section in any form of liquid!
- Do not use any kind of strong or abrasive cleaning agent on the appliance or its accessories. Never use a scouring sponge or similar to clean it, as the surface may be damaged.
- This appliance is not intended for use by persons (including children) with reduced physical, sensory or mental capabilities or lack of experience and knowledge, unless they have been given supervision or instruction concerning use of the appliance by a person responsible for their safety.
- No part of this product is dishwasher safe.
- This product is suitable for home use only.
- Do not place the product next to hot areas, for example gas rings and electric hotplates.

OVERVIEW



1	Main body	5	Transparent lid
2	Juice container	6	Pusher
3	Pulp container	7	Juice cup and lid
4	Filter blade	8	Brush

OPERATION

The power switch can be set to the following positions:

①	OFF
②	LOW SPEED
③	HIGH SPEED

Before Use

1. Clean the parts which will come in contact with food, i.e. the juice container, pulp container, filter blade, transparent lid, pusher and juicer cup.
2. Assemble all parts, ensuring the appliance is unplugged from power, then turn it on.
3. After using, follow "Cleaning & Care" instructions.

If juicing multiple fruits or vegetables, juice the one with more fibre content first.

Note:

It is recommended to clean the pulp after each cup to keep a consistent juice yield.

Fruit/Vegetable Preparation

Cut the fruits and vegetables to fit the size of the feeding inlet. The smaller the size, the greater the juice yield.

Harder and larger grains should be removed. Otherwise, they can damage the filter blade or and cause a jam.

Juicer Preparation



Place the juice container onto the main body, aligning it so that the spout fits into the slot on the body.



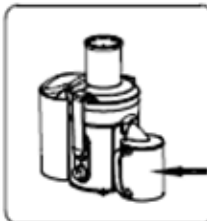
Carefully install the filter blade, aligning it with the slot in the juice container.



Install the lid, ensuring it is correctly aligned.

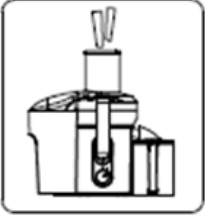




Attach the pulp container to the lid and push in until it clicks into place.



Place the juice cup under the spout.

Juicing Process

	<p>Choose a suitable speed and add fruits and/or vegetables through the feeding inlet.</p>
	<p>Use the pusher to move food down the feeding inlet. Do not force the food, or the machine may be damaged and the juice yield may be poorer.</p>
	<p>After use, remove the tamper and run for 30 seconds until no juices are flowing out. Turn the switch to position 0 to turn it off. Remove the plug once the machine has stopped operation completely.</p>

Tip:

Pure juice will oxidise and turn brown quickly when exposed to air, affecting the taste. It should be consumed or stored as soon as possible.

CLEANING & CARE

- Ensure that the switch is turned off and the plug is removed from the wall socket before carrying out any cleaning or maintenance.
- Clean the product after each use:
 - Use a damp cloth to clean the main body of the product.
 - Never immerse the main base into water or any other liquid.
 - Do not use any harsh or abrasive cleaners, hard brusher or steel wool to wipe the product or the surface may be damaged.
- The colour of the plastic will change over time due to cytochrome released during the juicing process. This is normal and not a cause for concern.
- Allow all parts to fully place dry and ensure they are clean before reassembling.

SPECIFICATIONS

Voltage	220V
Speed	Filter component speed 15000RPM/min
Frequency	50Hz
Continuous working time	Less than or equal to 3mins
Interval time	Greater than or equal to 7mins

TROUBLESHOOTING

Product does not turn on

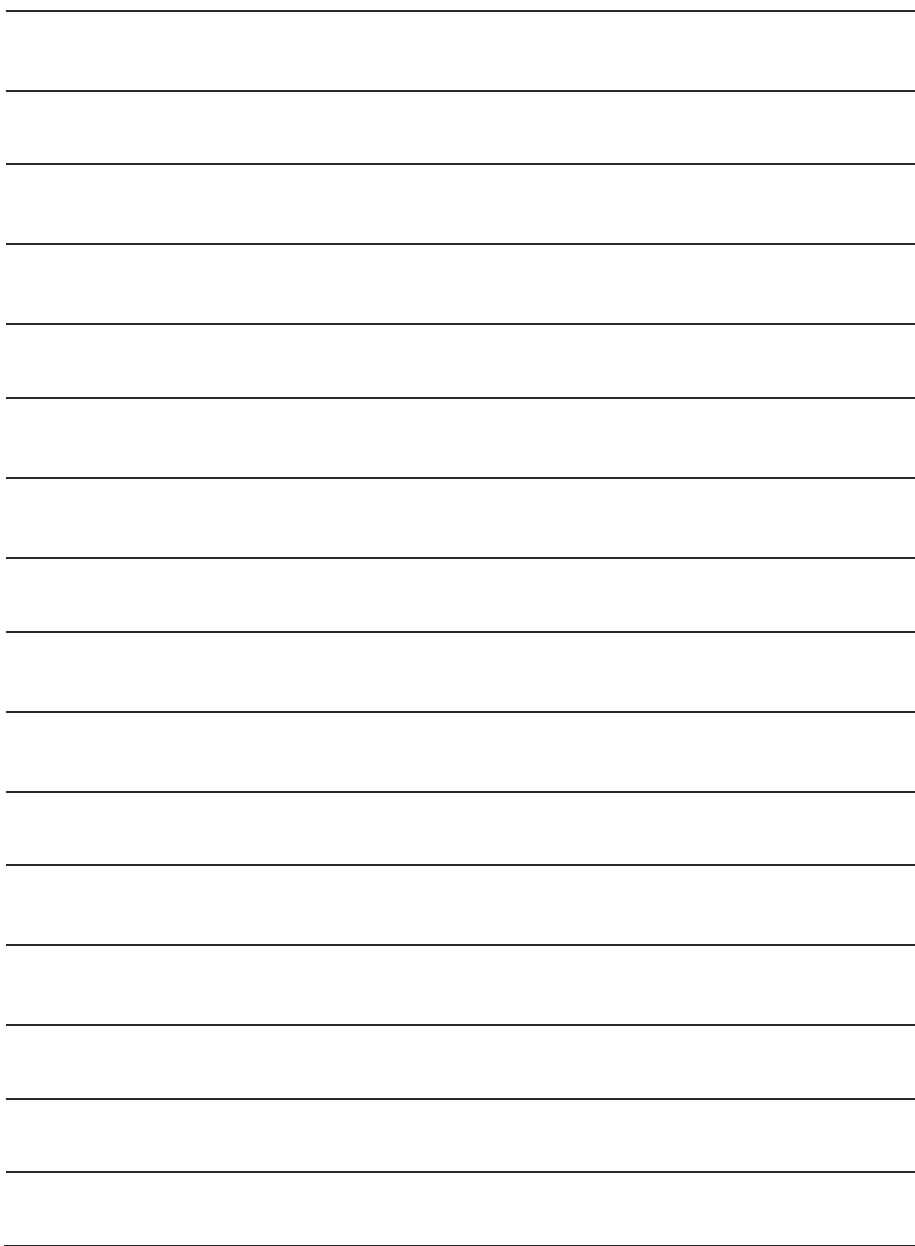
- Confirm the power plug is connected and the power is switched on
- Check that other devices work on the same outlet
- Confirm the product is assembled correctly
- Confirm that the appliance has been switched on
- If the juicer been in continual operation, turn off and allow it to cool down

Product moving abnormally during operation

- Turn off the power, disassemble and reassemble, ensuring all parts, including the blade, are correctly installed.

Product is producing a lot of noise, unusual odour or smoke

- Immediately stop using the product and contact Kogan.com.



Need more information?

We hope that this user guide has given you the assistance needed for a simple set-up. For the most up-to-date guide for your product, as well as any additional assistance you may require, head online to **help.kogan.com**

kogan