



# **27" FULL HD FREESYNC 75HZ FRAMELESS MONITOR**

**(1920 x 1080)**

KAMN27LSC



# SAFETY & WARNINGS

- Read all instructions before using the appliance and retain for reference.
- Unplug the monitor before cleaning it.
- Use a clean, slightly dampened cloth to wipe the main monitor body.
- To clean the screen: turn it off, unplug it and wait for it to cool completely, then wipe it with a dry micro-fibre cloth.
- Do not use cleaning alcohol, ammonia-based liquids, or other harsh cleaners.
- This monitor is designed with ventilation holes on the back of the casing. Do not cover or block them.
- Do not insert any object or spray any liquid into the vents.
- Avoid placing the monitor near heaters, stoves, fireplaces, or other sources of heat, as well as in rooms lacking adequate ventilation.
- Do not position the monitor in unsafe locations. If the monitor falls, it may be damaged and may injure nearby people.
- Unplug the monitor if it is not going to be used for an extended period.
- Do not place heavy objects on the monitor, its power cord, or any connected cable.
- Do not open the back panel of the monitor, as it contains a high-voltage current even when not plugged in.

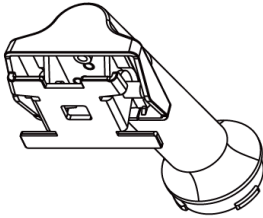


The terms HDMI and HDMI High-Definition Multimedia Interface and the HDMI Logos are trademarks or registered trademarks of HDMI Licensing Administrator, Inc. in the United States and other countries.

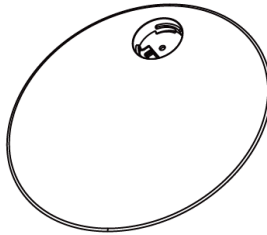
# COMPONENTS



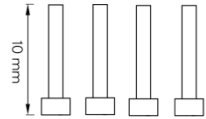
**Monitor**



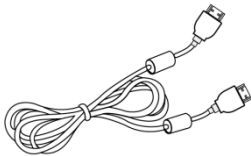
**Stand connector**



**Stand base**



**VESA screws (x4)**



**HDMI cable**



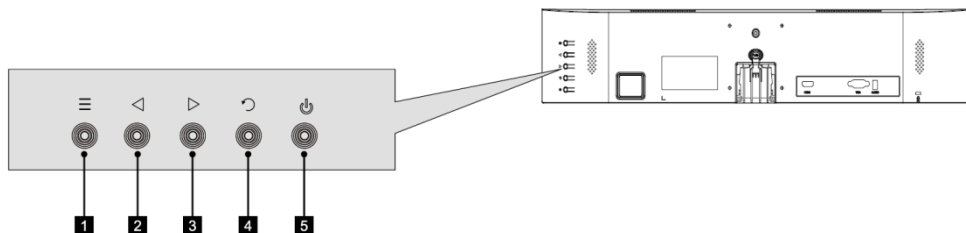
**Power cable**



**User guide**

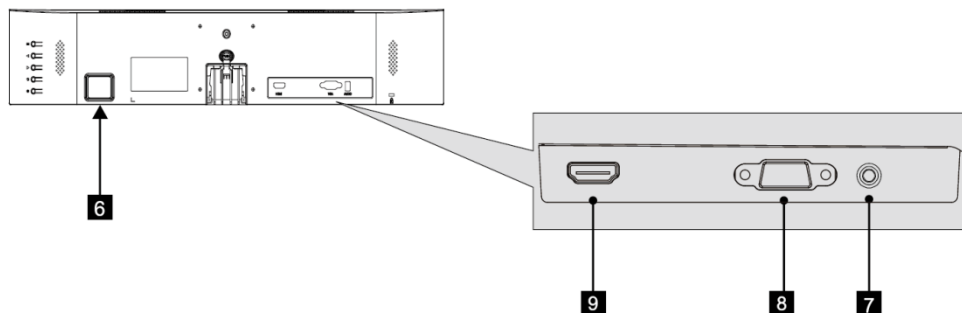
# OVERVIEW

## Monitor Controls



|   |                |   |
|---|----------------|---|
| 1 | ☰ Menu button  | Press to display the OSD menu or enter sub-menus. |
| 2 | ◀ Down button  | Press to move down in the menu.                   |
| 3 | ▶ Up button    | Press to move up in the menu.                     |
| 4 | ↻ Exit button  | Press to exit.                                    |
| 5 | ⏻ Power button | Press to turn the monitor on/off.                 |

## Monitor Ports

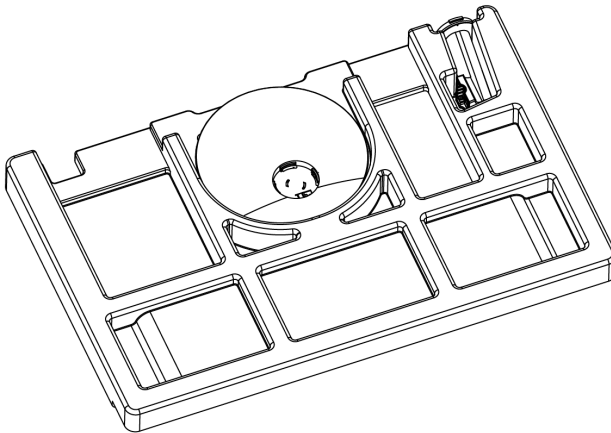


|   |                 |
|---|-----------------|
| 6 | Power connector |
| 7 | Audio In        |
| 8 | VGA connector   |
| 9 | HDMI connector  |

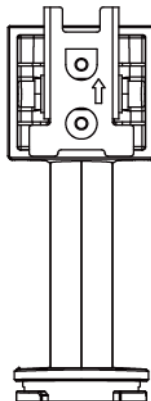
# STAND ASSEMBLY

**ATTENTION:** Panel is fragile. Keep the foam underneath the monitor while assembling the stand.

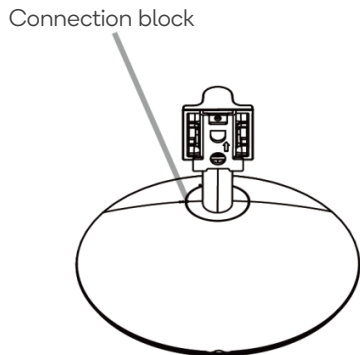
1. Carefully remove the monitor from the packaging with foam attached and place it face down on a soft cloth spread across a stable surface such as a table.



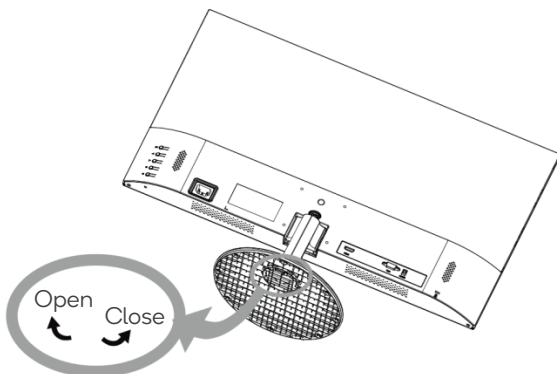
2. Remove and assemble the stand base and connector.



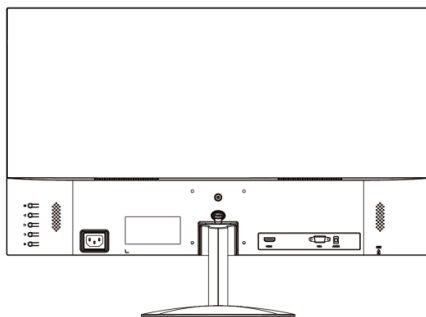
3. Remove the connection block from the back of the monitor by pressing the detach button.



4. Insert the connection block into the back of the monitor, then push down until it snaps into place.



5. Remove the bottom foam and place the monitor on the desk or other location intended for use. Installation is complete.

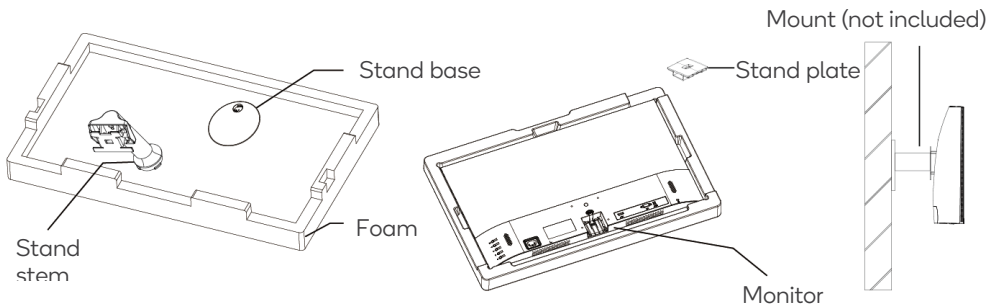


# VESA MOUNT

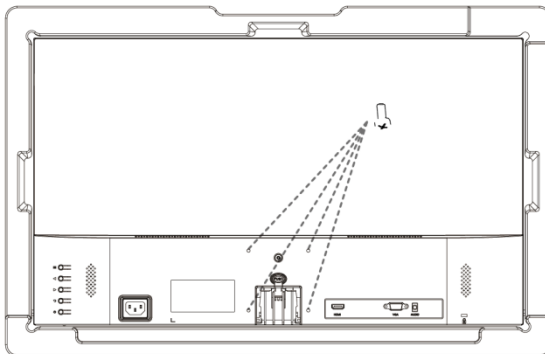
## Note:

VESA mounting pattern 75x75mm, screw size M4.  
VESA mount or mounting accessories are **NOT** included.

1. Open the box, take out the monitor with protection form attached and gently place it on a desktop or table. Remove the extra parts and the foam covering the back of the monitor. Press the release button to remove the stand plate. If the monitor was already attached to the stand, remove the stand.



2. Assemble the mount as per the instructions provided with the mount.

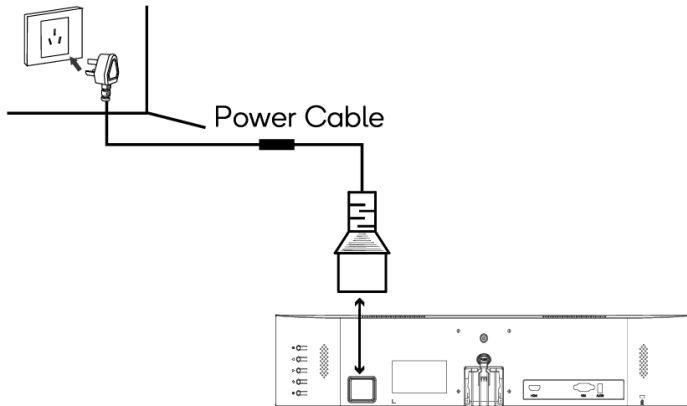




# CONNECTIVITY

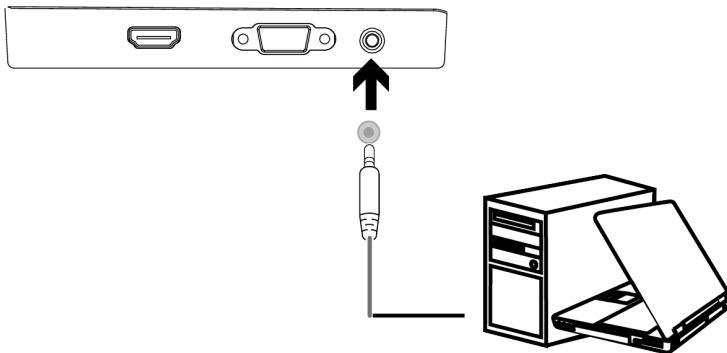
## Power cable

Connect the included power cable to the monitor power port and then connect the other end to a power outlet.



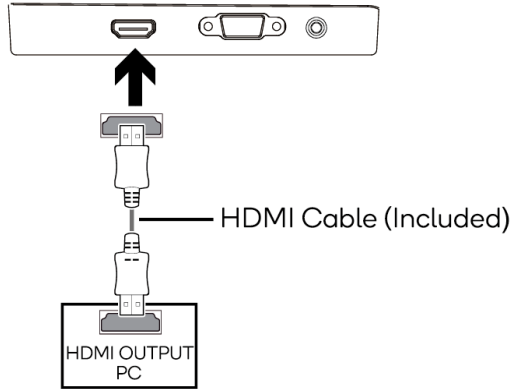
## Audio In

Connect an audio cable to the 3.5mm audio port on the monitor (Audio In) and the 3.5mm audio port on your computer.



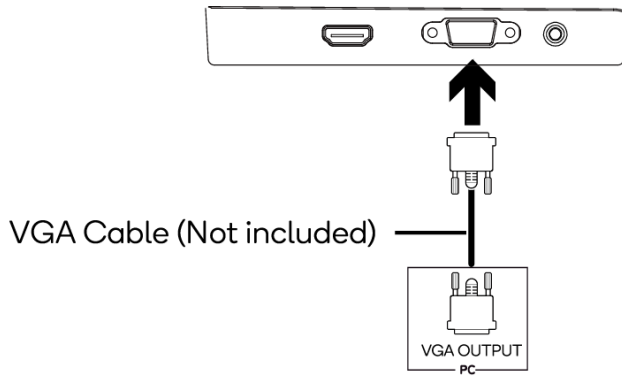
## HDMI

Connect an HDMI cable from the computer's display output to the monitor's display input.



## VGA

Connect a VGA cable from the computer's display output to the monitor's display input.



# BASIC OPERATION

1. Connect the monitor to your input device via HDMI or VGA.
2. Connect the power cable to your monitor and then connect the other end directly to a power socket.
3. Use the power button to turn the monitor on.

## FreeSync

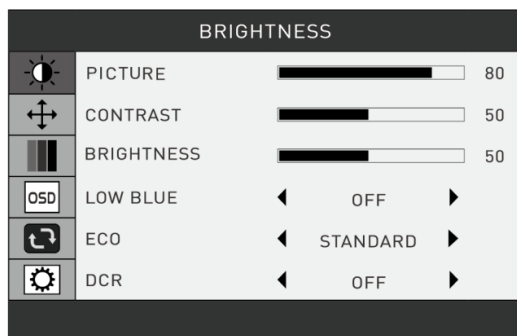
- The feature is disabled by default when setting a 75Hz refresh rate.
- In order to use this feature, ensure your hardware has FreeSync capability and the graphics drivers are fully up to date.
- After connecting, you may receive a prompt to enable the feature on your computer. If you do not receive the prompt, you may need to enable the function in your graphics card menu.
- See your graphics card manufacturer's documentation for instructions on how to turn on and/or enable FreeSync.

# OPERATION

The On-Screen Display (OSD) Menu may be used to adjust your monitor's settings and appears on screen after turning on the monitor and pressing the “≡” button.

When using the monitor for the first time, the monitor will configure optimal settings automatically.

1. Press “≡” to enter the OSD menu.



2. Use the arrow buttons (◀/▶) to navigate and press “≡” to enter a submenu. With the desired function highlighted, press “≡” to edit it, the arrow buttons to adjust parameter values and “≡” again to commit the new value.
3. Press “↻” to exit the current screen.

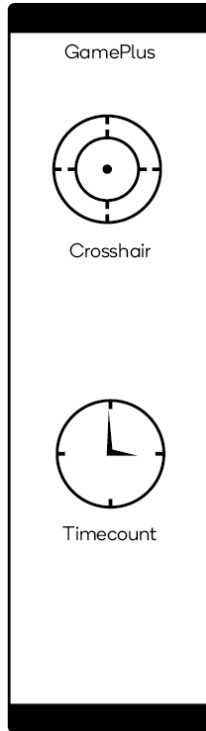
## List of functions

| Main Menu            | Sub-Menu            | Options  | Description  |
|----------------------|---------------------|--|--|
| Brightness           | Picture             | -0-100   | Adjust picture                                     |
|                      | Contrast            | -0-100   | Adjust display contrast                            |
|                      | Brightness          | -0-100   | Adjust display brightness                          |
|                      | Low blue            | On   | Enable/disable blue light reduction                |
|                      |                     | Off  |  |
|                      | ECO                 | STANDARD/<br>TEXT/GAME/<br>MOVIE/ FPS/RTS  | Preset colour modes                                |
| DCR                  | On                  | Enable/disable dynamic contrast ratio  |  |
|                      | Off                 |  |  |
| Image                | Horizontal position | -0-100   | Adjust video display area left to right (VGA only) |
|                      | Vertical position   | -0-100   | Adjust video display area up and down (VGA only)   |
|                      | Clock               | -0-100   | Adjust display clock                               |
|                      | Phase               | -0-100   | Adjust display phase                               |
|                      | Aspect              | Wide (16:9), 4:3   | Adjust display phase aspect                        |
|                      | FreeSync            | On/Off   | Adjust display FreeSync on/off                     |
| Adjust display Phase | Warm mode           | Red/green/blue   | Adjust red/green/blue levels                       |
|                      | Cool mode           | Red/green/blue   | Adjust red/green/blue levels                       |
|                      | User mode           | Red/green/blue   | Adjust red/green/blue levels                       |
|                      | HDR mode            | On/Off   | Enable/disable HDR mode                            |
| OSD Setting          | Language            | English, 简体中文, 한국어, Русский, Español, Deutsch, Italiano, Français, Portugues, Turkce, Polski, Nederlands | Set OSD language                                   |
|                      | OSDH-Position       | 0-100  | Adjust OSD horizontal position                     |
|                      | OSD V-Position      | 0-100  | Adjust OSD vertical position                       |
|                      | OSD Timer           | 5-60   | Set how long the OSD remains open after last input |

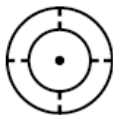
|        |                  |                               |   |
|--------|------------------|-------------------------------|---|
|        | OSD Transparency | 0-100                         | Set OSD overall transparency                |
| Reset  | Image            | None                          | Restore VGA image defaults                  |
|        | Colour           | None                          | Automatically configure VGA colour settings |
|        | Reset            | None                          | Restore factory defaults                    |
|        | Power down       | On                            | Enable/disable power down function          |
|        |                  | Off                           |   |
|        | Time count       | 10-90min                      | Adjust time count                           |
| OD     | On (default)     | Enable/disable Overdrive      |   |
|        | Off              |                               |   |
| Misc   | Signal source    | VGA/HDMI                      | Adjust input source                         |
|        | Mute             | On                            | Enable or disable monitor speaker output    |
|        |                  | Off                           |   |
| Volume | -0-100           | Adjust monitor speaker volume |   |

# ECO MODES & GAMEPLUS SWITCHING

1. Press “↻” button to activate the navigation window.



2. Press “☰” button to switch GamePlus modes. These overlay icons are primarily designed to assist aim during FPS games, though they can be used for other scenarios.

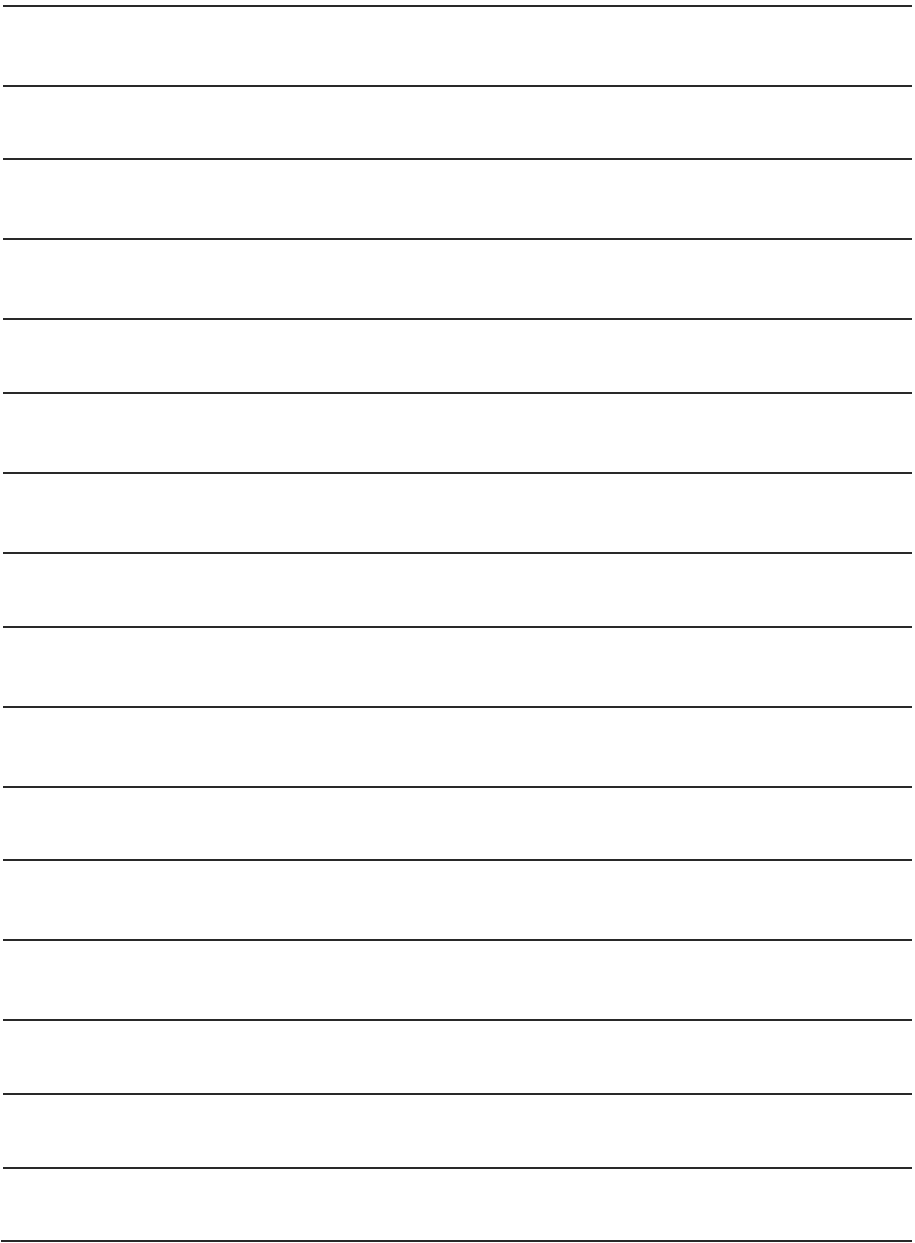


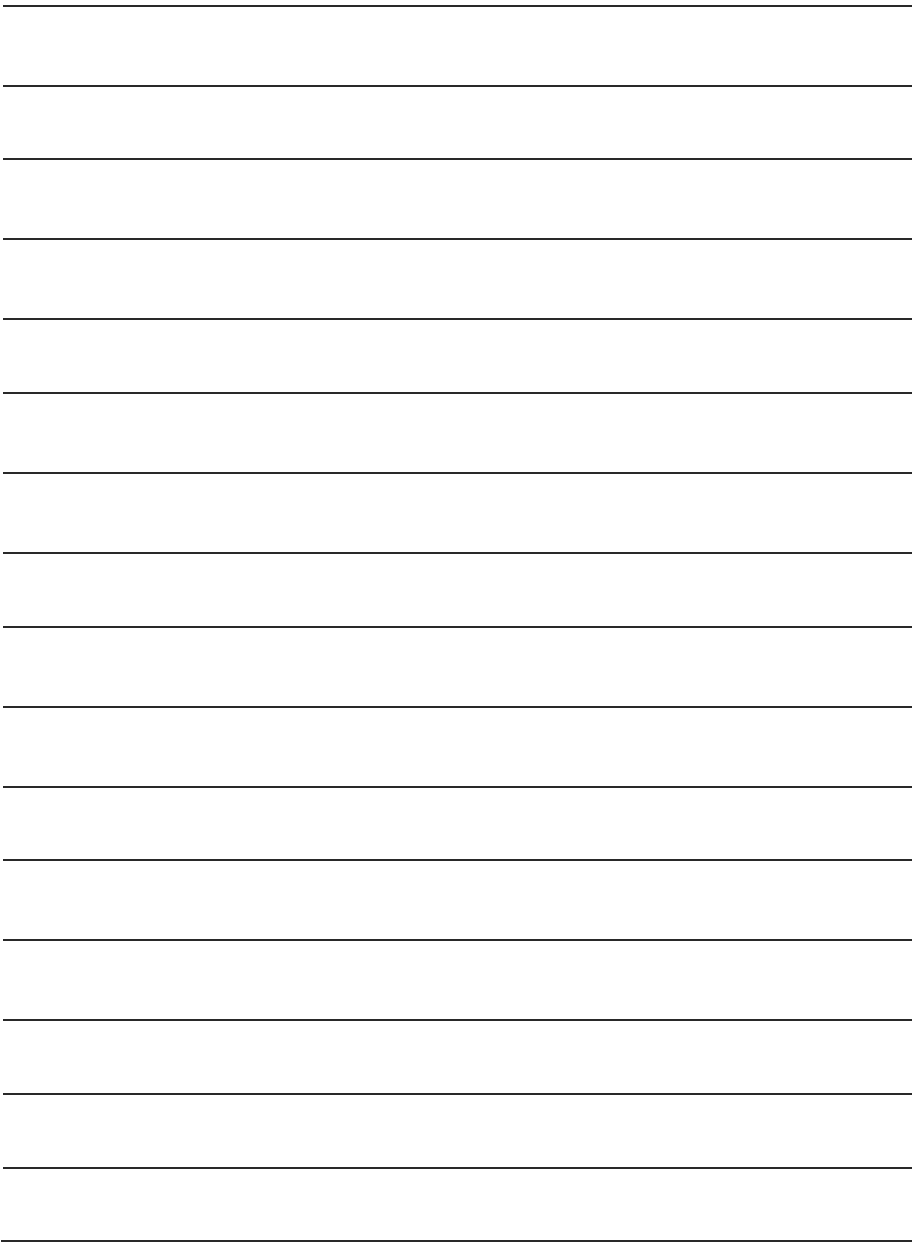
# SPECIFICATIONS

|                             |                                |
|-----------------------------|--------------------------------|
| Screen size                 | 27"                            |
| Aspect ratio                | 16:9                           |
| Brightness                  | 250cd/m <sup>2</sup> (typical) |
| Panel                       | VA                             |
| Resolution                  | 1920x1080                      |
| Refresh rate                | 75Hz                           |
| Response time               | 8ms (5ms with Overdrive)       |
| Viewing angle               | ≥178°(H) / 178°(V)             |
| Contrast ratio              | 4000:1                         |
| VESA mounting               | 75x75mm                        |
| Colours                     | 16.7M                          |
| Signal input                | HDMI1. 4 x 1, VGA x 1          |
| Power                       | AC 100-240V ~ 50/60Hz 1.1A     |
| <b>Audio</b>                |                                |
| Speakers                    | YES                            |
| Audio In                    | YES                            |
| <b>Accessories</b>          |                                |
| Power cable                 | YES                            |
| HDMI Cable                  | YES                            |
| <b>Additional functions</b> |                                |
| Low blue light              | YES                            |
| Flicker free                | YES                            |
| <b>Physical dimensions</b>  |                                |
| Dimensions (w. stand)       | 615.3x 453.6 x 224.1 (mm)      |
| Dimensions (w/o stand)      | 615.3 x 360.5 x 45 (mm)        |
| Net weight                  | 4.6kg                          |
| Gross weight                | 6.2kg                          |









### **Need more information?**

We hope that this user guide has given you the assistance needed for a simple set-up. For the most up-to-date guide for your product, as well as any additional assistance you may require, head online to **[help.kogan.com](http://help.kogan.com)**

kogan