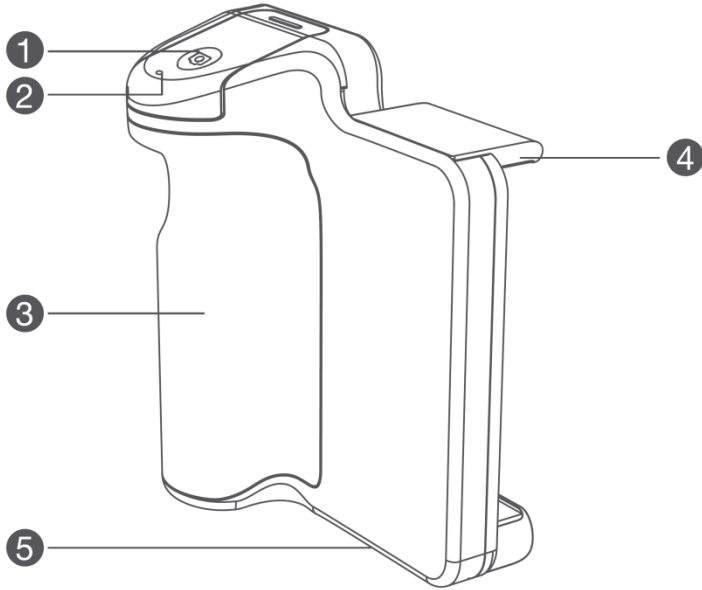




SMART BLUETOOTH TRANSFORMING PHONE GRIP & TRIPOD

KASMBTGRIPA

OVERVIEW

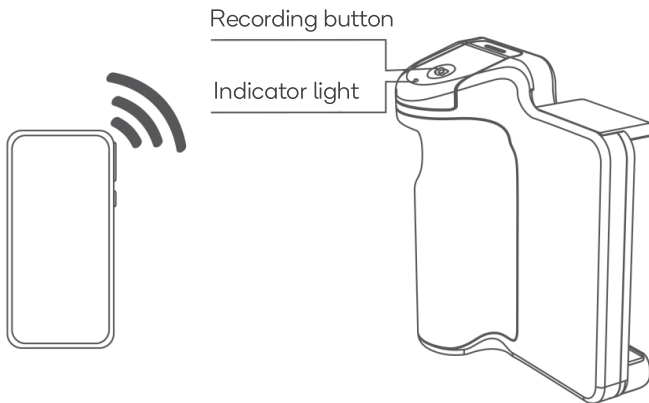


1	Recording button
2	Remote control indicator LED
3	Handle
4	Mobile phone clip
5	1/4" standard mounting thread

OPERATION

Bluetooth pairing

Press and hold the recording button for 3s to enter Bluetooth pairing mode: the Bluetooth indicator will start flashing. Open the Bluetooth function on the mobile phone and scan for devices; click “Kogan” once it appears. The indicator light will illuminate green once pairing has been successfully completed.



The Bluetooth of the remote control is connected; shall enter the dormant state within 10min if there is no operation and the connection can be recovered if the recording button is pressed again.

1. The mobile phone shall be turned off when it is dormant for 20min.
2. When the remote control battery is depleted, the indicator LED will flash red.

Attaching the mobile phone

- A. Tilt the mobile phone into the top of the bracket, and gently push the mobile phone upwards to open the clamp.

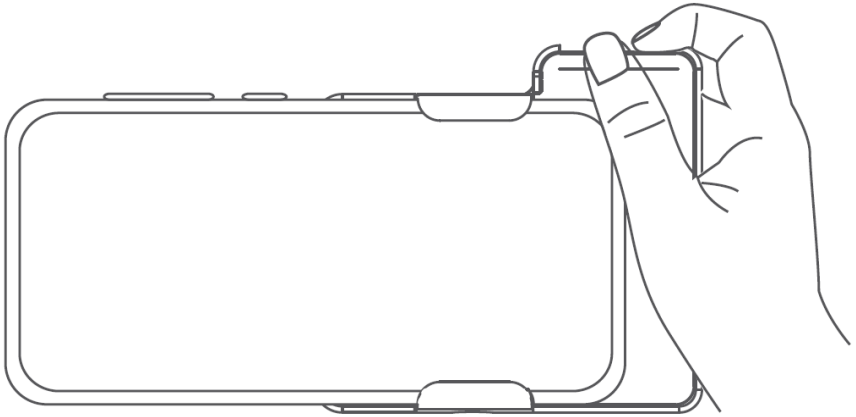


- B. Slide the bottom half of the mobile phone into the bottom bracket and release. The phone should be firmly gripped in place.



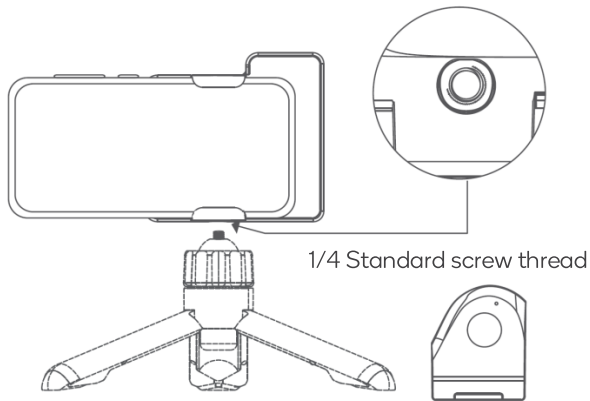
Take photos/record video

Hold the grip by the handle and press the recording button to take photos/record video.



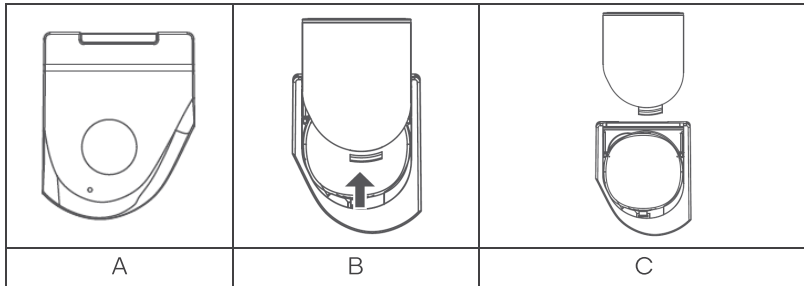
1/4" standard mounting thread (optional)

The bottom of the bracket is provided with 1/4" standard mounting thread, allowing for the attachment of other devices that feature the same standard 1/4" thread, such as cameras.



Replacing the remote control battery

- A. Turn the remote control over so the button is facing down.
- B. Slide the battery cover open along the direction of the arrow.
- C. Remove the battery to be replaced.



Need more information?

We hope that this user guide has given you the assistance needed for a simple set-up. For the most up-to-date guide for your product, as well as any additional assistance you may require, head online to **help.kogan.com**

kogan