

# **FULL MOTION GAS SPRING SINGLE MONITOR MOUNT**

KASMMPCGASW & KASMMPCGASD



# SAFETY & WARNINGS

## Caution

This product contains small items that could be a choking hazard if swallowed. Keep these items away from your children.

- Make sure these instructions are read and completely understood before attempting installation. If you are unsure of any part of this installation, please contact a professional installer for assistance.
- The desk or mounting surface must be capable of supporting the combined weight of the mount and the display otherwise the mounting point must be reinforced.
- Every two months, check the screws at the joints to ensure they have not loosened.

This product was designed to be installed on a desk. Before installing, make sure the mount will support the combined load of the equipment and the hardware. Never exceed the maximum load capacity of 9KG or else it may result in product failure or personal injury.

## Note:

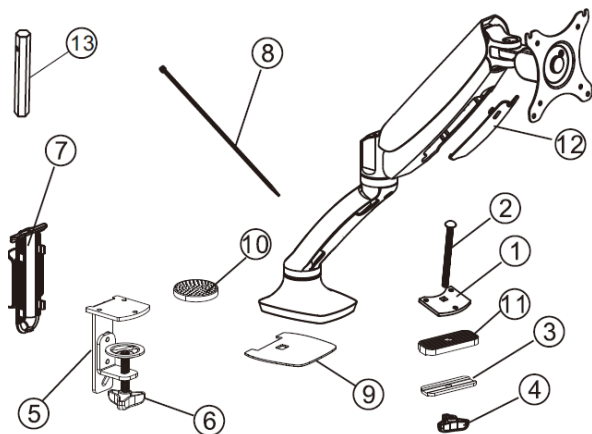
This product is intended for indoor use only. Use of this product outdoors could lead to product failure or personal injury.

## Warning:







This product contains high-pressure gas spring parts. Please do not dispose of the mount, or allow the mount to come into contact with fire or high temperatures. Do not disassemble the mount, as it may lead to personal injury. When the product is no longer required it must be disposed of safely.

To ensure the sealing performance of the gas spring, check and adjust the the upper arm containing the spring one time or several times every month.

# OVERVIEW



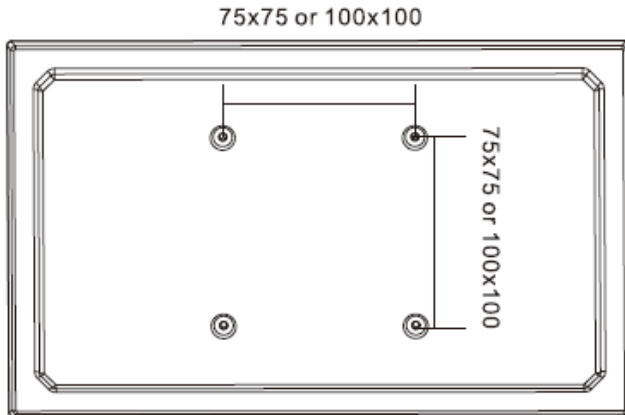
1	Base Plate	1Pc	1
2	Screw	1Pc	
3	Washer	1Pc	
4	Butterfly Knob	1Pc	2
5	Bottom Support	1Pc	
6	Knob	1Pc	3
7	Cable Cover	1Pc	
8	Nylon Ties	6Pcs	
9	Anti-Slip Rubber 1	1Pc	
10	Anti-Slip Rubber 2	1Pc	
11	Anti-Slip Rubber 3	1Pc	
12	Cable Cover 2	1Pc	
13	M6 Box Wrench	1Pc	

					
M4X12MM A (4Pcs)	M5X12MM B (4Pcs)	M6X12MM C (3Pcs)	6.5X13X1.8 D (8Pcs)	4X4 Allen key E (1Pc)	5X5 Allen key F (1Pc)

# INSTALLATION

## Step 1

Preparations before installing monitor



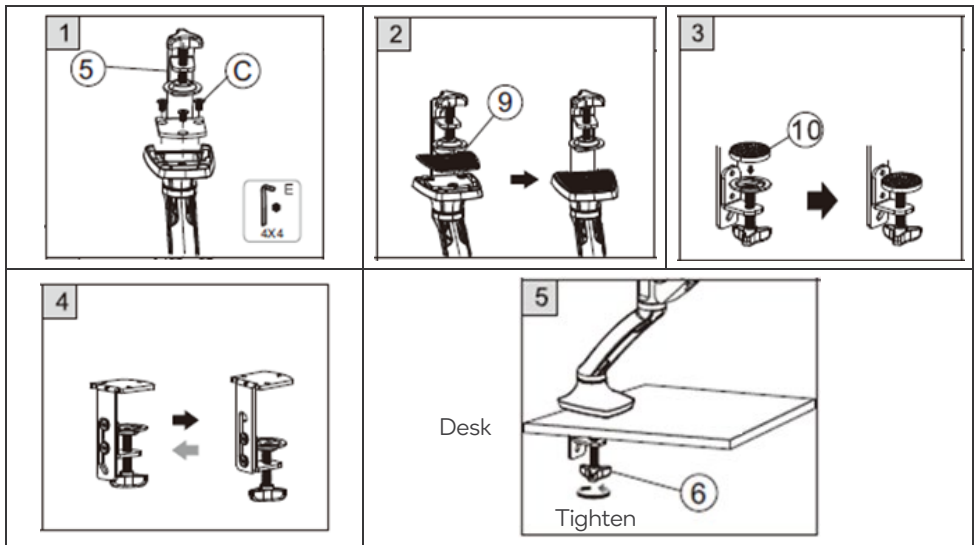
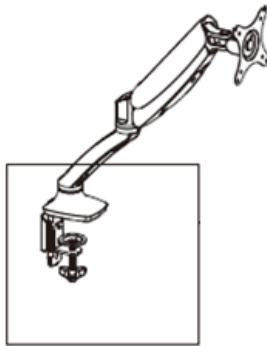
1. Make sure these are VESA holes 100x100mm or 75x75m in the monitor. If not, the mount cannot be installed.
2. Remove the original fixed base of the monitor. Be careful not to scratch the screen.

## Step 2-A

Option 1: Clamp



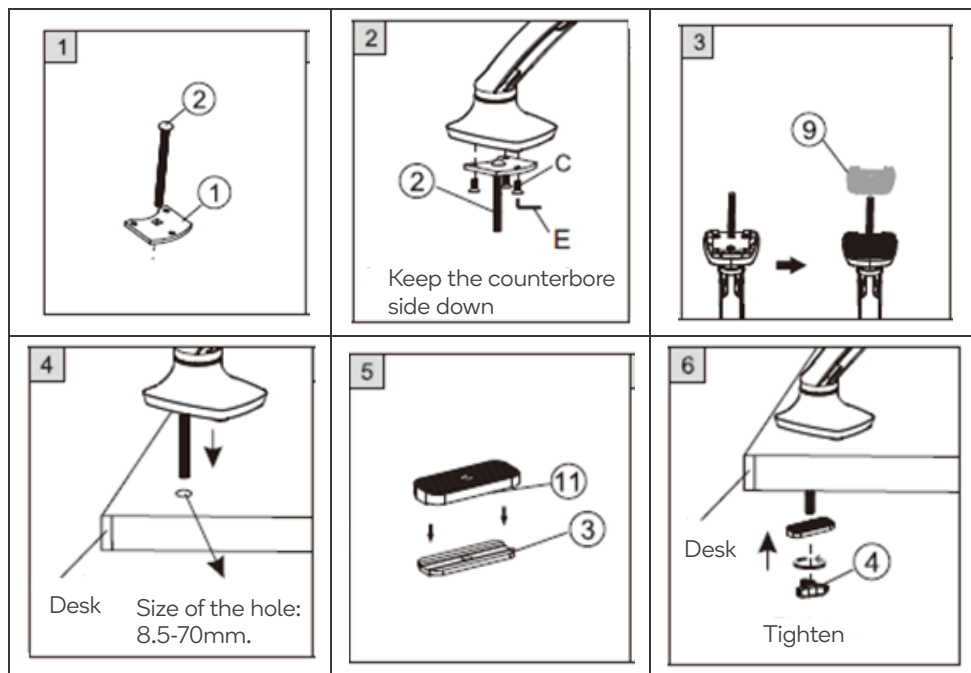
For table thickness: 20-100mm. Select the right holes according to the thickness of the desk.



## Step 2-B

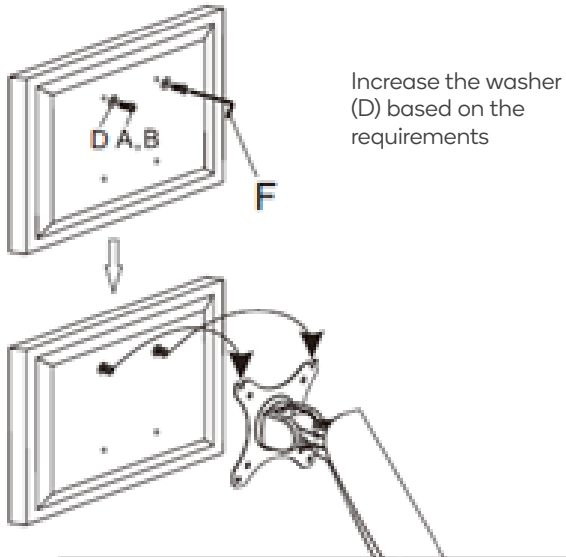
Option 2: Grommet

 For table thickness: 25-90mm.



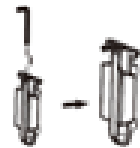
### Step 3

Attaching the monitor to the mount

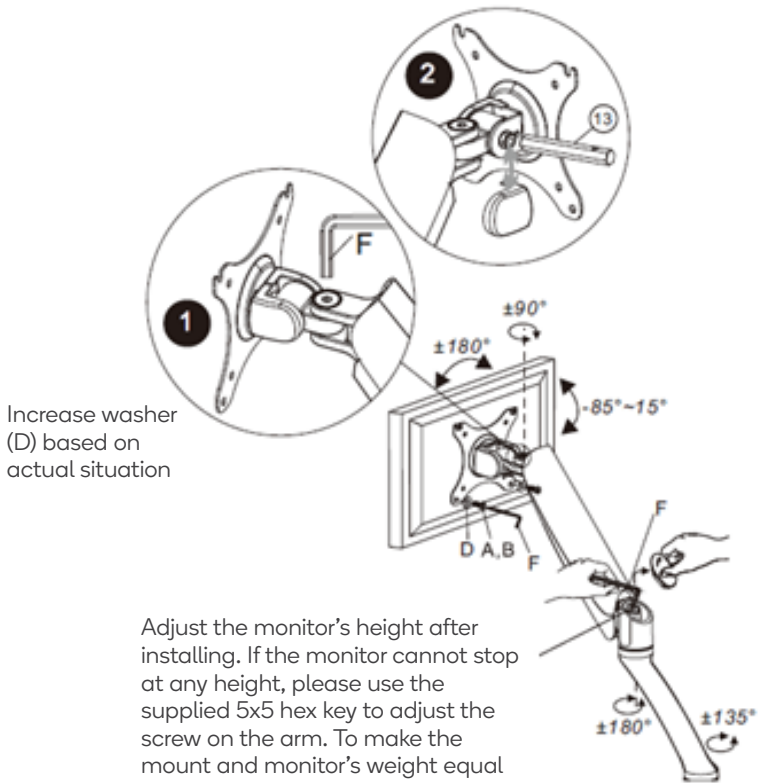


#### Attention

Please put the 5\*5 wrench into the cable cover after installation for future usage!





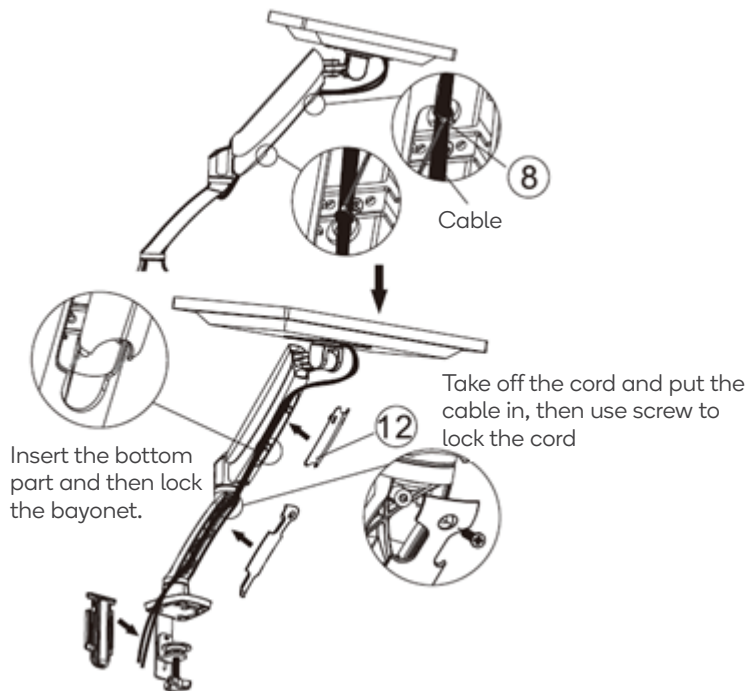


Increase washer (D) based on actual situation

Adjust the monitor's height after installing. If the monitor cannot stop at any height, please use the supplied 5x5 hex key to adjust the screw on the arm. To make the mount and monitor's weight equal and it can stop at any height, please adjust the screw in "-" direction when the monitor up and "+" direction when it down.

## Step 4

Using cord management





### **Need more information?**

We hope that this user guide has given you the assistance needed for a simple set-up. For the most up-to-date guide for your product, as well as any additional assistance you may require, head online to **[help.kogan.com](https://help.kogan.com)**

kogan