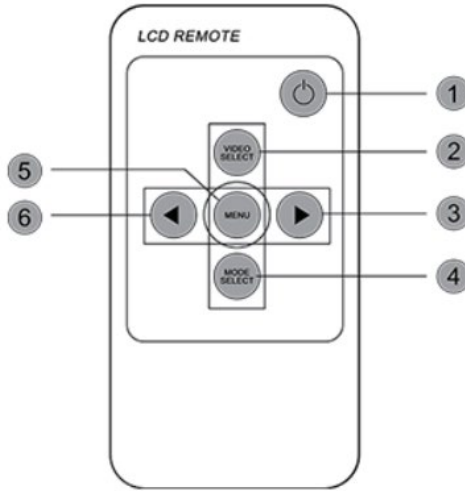




7" WIRELESS REAR VIEW REVERSE CAMERA

KAWIRVCA7A

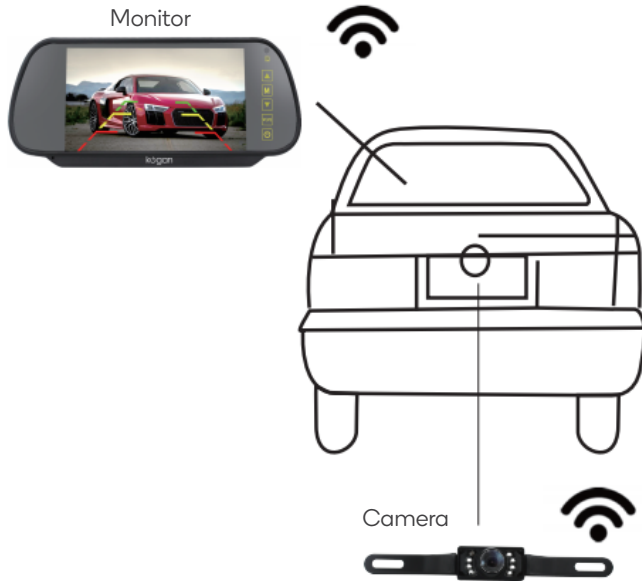
OVERVIEW



1 Power on/off	2 AV1/AV2 switch	3 Adjustment +
4 16:9/4:3 switch	5 Menu	6 Adjustment-



1 Adjustment +	2 Menu	3 Adjustment-
4 V1/V2	5 Power on/off	



SPECIFICATIONS



Voltage	9V DC-30V DC
Rated voltage	12-24V DC
Operating temperature	-20°C-+70°C
Power usage	Max. 2.5W
Display resolution	800 x 480 RGB
Video input	Two-way (V1 and V2)
Display mode	7" TFT-LCD
Luminance	400cd/m2



Voltage	9V DC-15V DC
Rated voltage	12V DC
Power cost	Max. 1W
Image sensor	Colour CMOS
Total pixels	648 x 488 pixels
Resolution	600TVL (enhanced)
View Angle	170°
Mini lamination	0 Lux/7 IR



Wireless frequency	2370 MHz
Voltage	12V DC
Resolution	PAL/NTSC
Wireless transmission distance	30m
Operating temperature	-20°C+70°C
Receiver sensitivity	-85Dbm
DC output	DC=12V 1.5A
Connector	RCA connector

Need more information?

We hope that this user guide has given you the assistance needed for a simple set-up. For the most up-to-date guide for your product, as well as any additional assistance you may require, head online to **help.kogan.com**

kogan