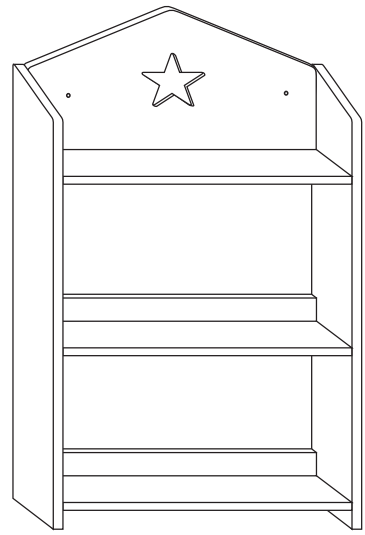


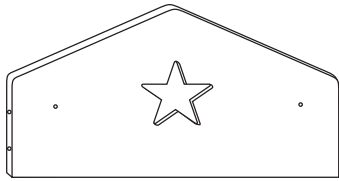
ovela



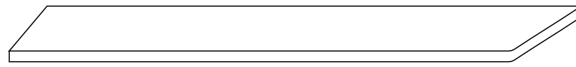
Ovela Children's Star Shelf

OVCWSTSHWA

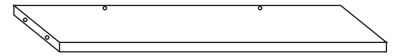
COMPONENTS



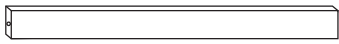
A*1
Back Panel



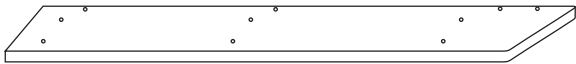
B*1
Left SidePanel



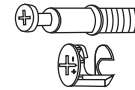
C*3
Shelf



D*2
Back Panel



E*1
Right SidePanel



F*12



G*8



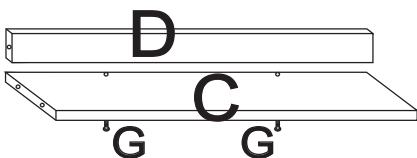
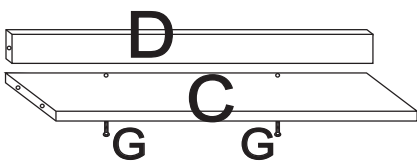
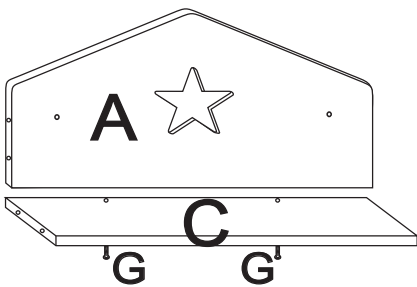
H*8



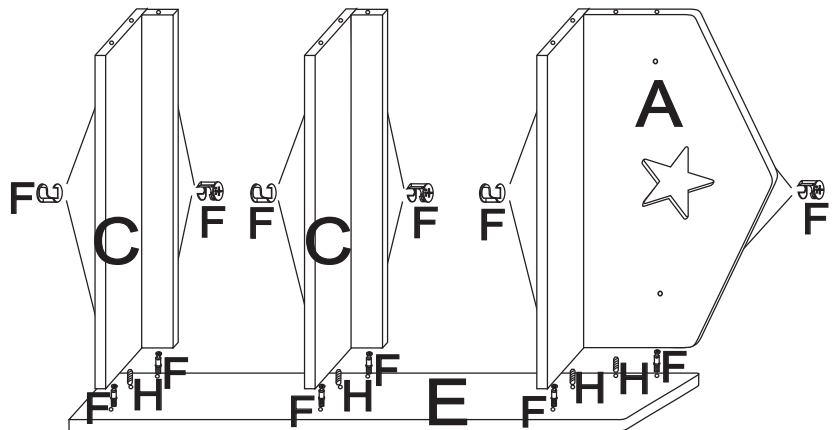
I*2

ASSEMBLY

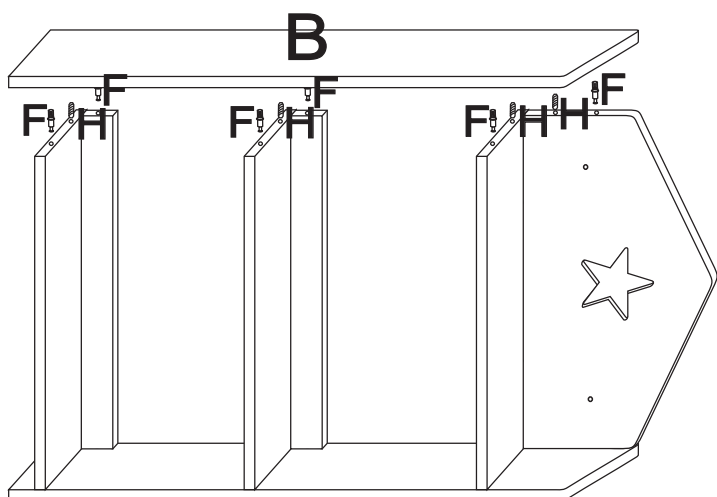
①



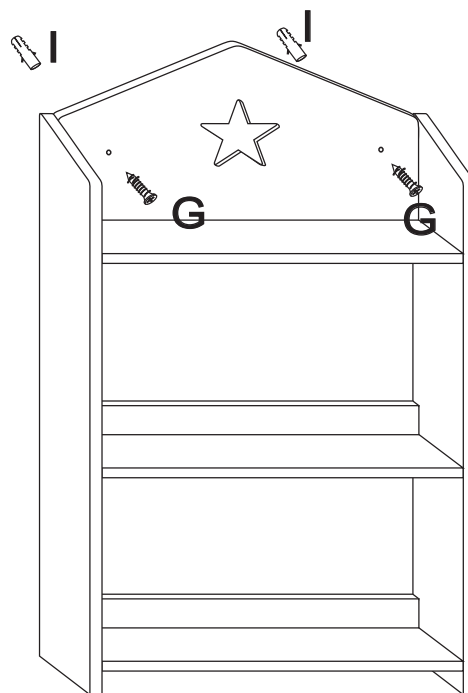
②



3



4



WARNING!

Serious or fatal crushing injuries can occur from furniture tipping over. To prevent possible overbalancing:

- Use the wall attachment device provided.
- Never allow children to climb or hang on drawers, doors or shelves.
- Place the heaviest items in the lower drawers or shelves.
- Unless specifically designed to accommodate, do not set TVs or other heavy objects on top of this product.
- Never open more than one drawer at a time.

Note: Take care when drilling the wall that you do not drill into any pipes, wires etc. If in doubt, consult an expert.