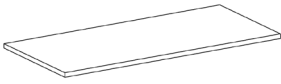


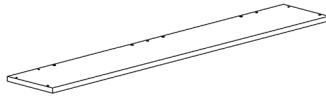
HALIFAX TWO-TIER OFFICE DESK

OVHALIDKOWA

COMPONENTS



A Desktop



B Upper bottom panel



C Back panel



D Side panel, Left



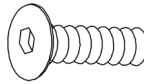
E Side panel, Right



F Legs (x2)



G Legs (x2)



H 6x12mm
Screws (x18)



I Allen key



J Wooden dowel
ø8x30mm (x4)



K ø4x35mm
Screws (x11)



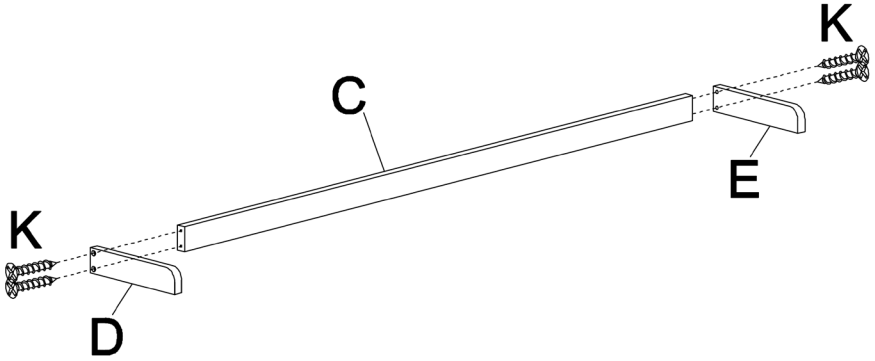
L Washers (x18)



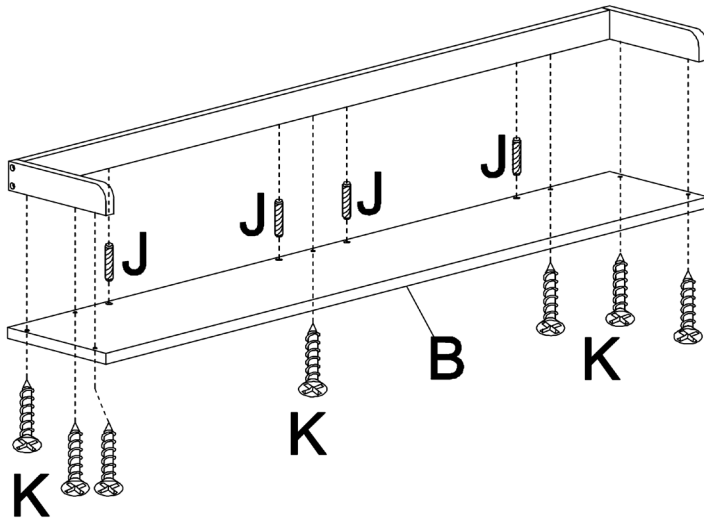
M Spring washers (x18)

ASSEMBLY

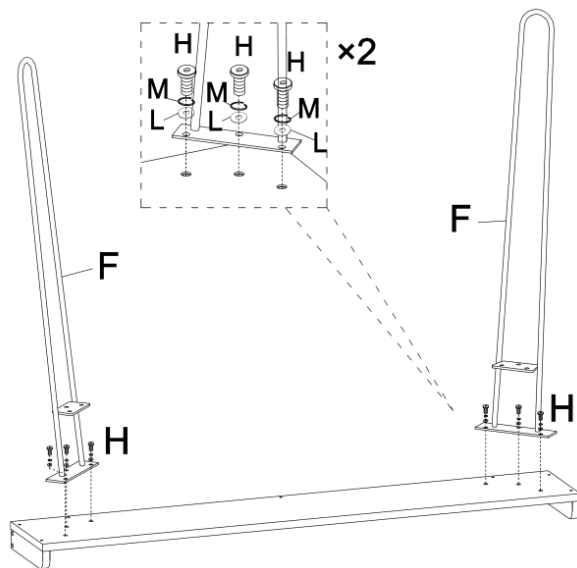
Step 1



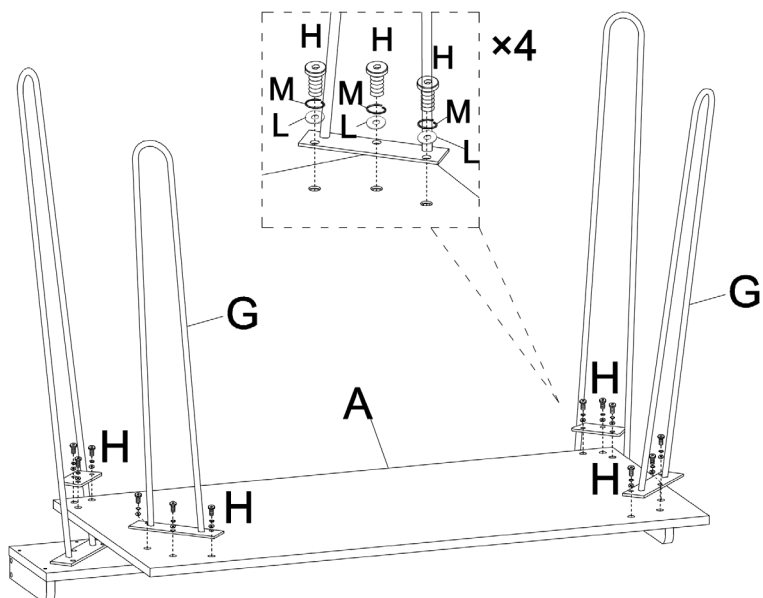
Step 2

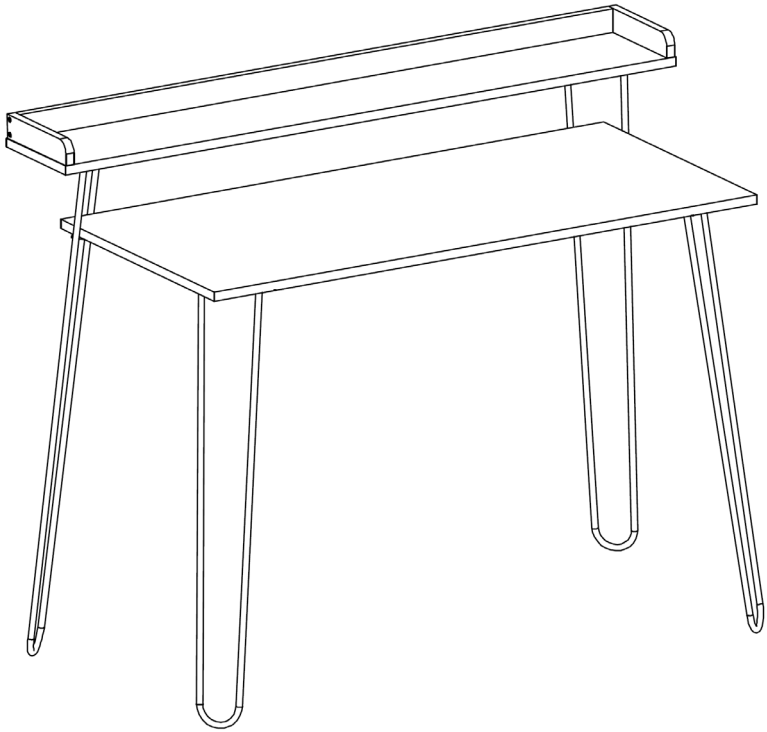


Step 3



Step 4





Complete!

Need more information?

We hope that this user guide has given you the assistance needed for a simple set-up. For the most up-to-date guide for your product, as well as any additional assistance you may require, head online to **help.kogan.com**

kogan.com