

OHIO KIDS HOUSE BED

OVOHIOSWA

SAFETY & WARNINGS

Important


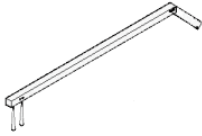
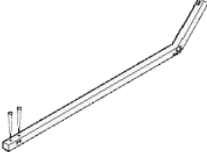






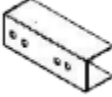

Please read before you commence assembly.

Follow the guidelines in this user guide to ensure correct assembly and care for this product.











Do not, for any reason, use a power tool to assemble this product. Use of power tools may apply greater than the necessary force on the fixtures, causing damage.

COMPONENTS

			
(A) x 2Pcs	(B) x 2Pcs	(C) x 2Pcs	(D) X 2Pcs
			
(E) x 2Pcs	(F) x 1Pc	(G) x 2Pcs	(H) x 2Pcs
			
(I) x 10Pcs	(J) x 4Pcs	(K) x 20Pcs	

Hardware List

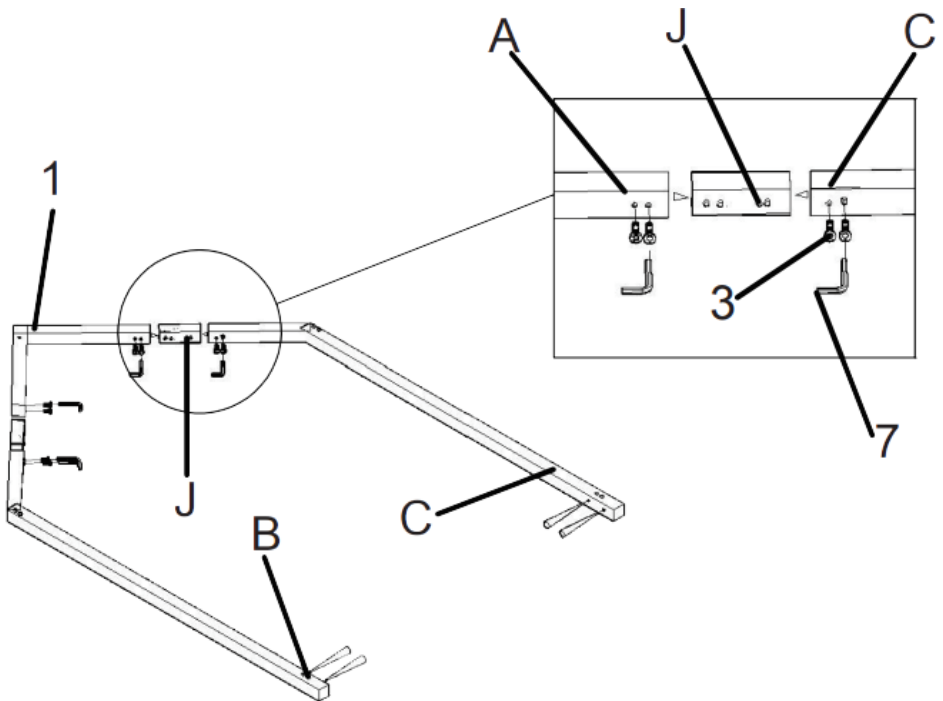
Ref.		Hardware Name	Qty
1		M8x50 Bolt	8pcs
2		M6x50 Bolt	12pcs
3		M6x16 Bolt	28pcs
4		Flat Washer M8	8pcs
5		Flat Washer M6	8pcs
6		Nut M6	4pcs
7		Allen Key M5	1pc
8		Open Spanner M10	1pc

ASSEMBLY

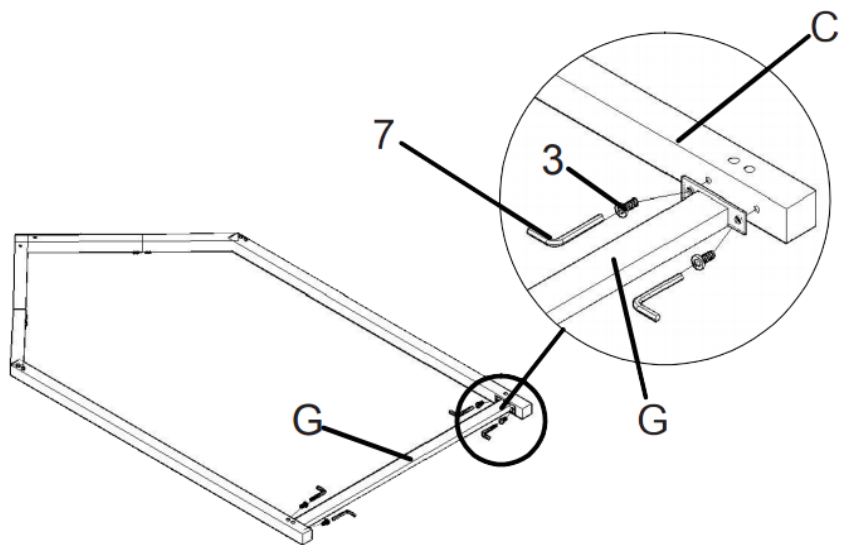
Note:

Do not use power tools when assembling this product. They may cause damage to fasteners and may affect your warranty.

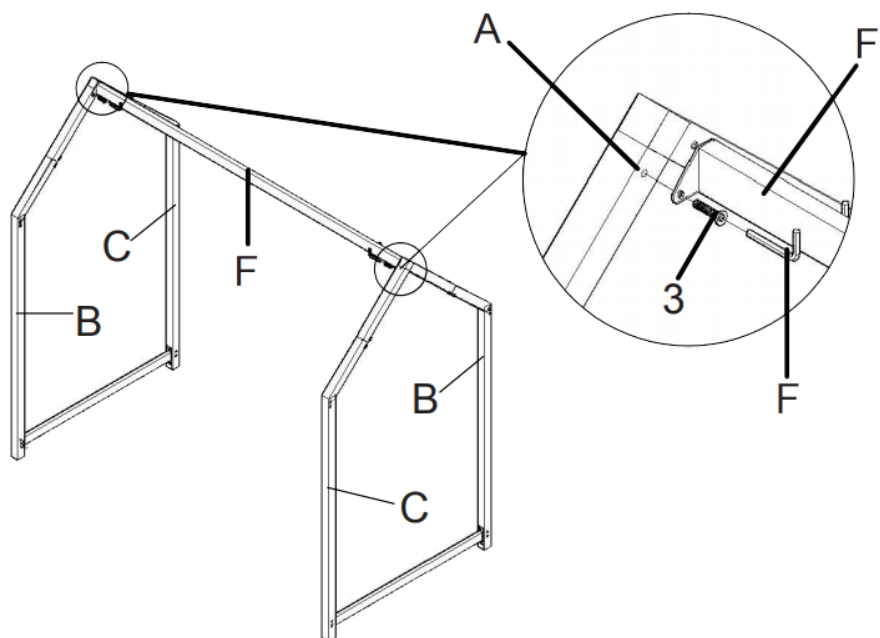
Step 1:



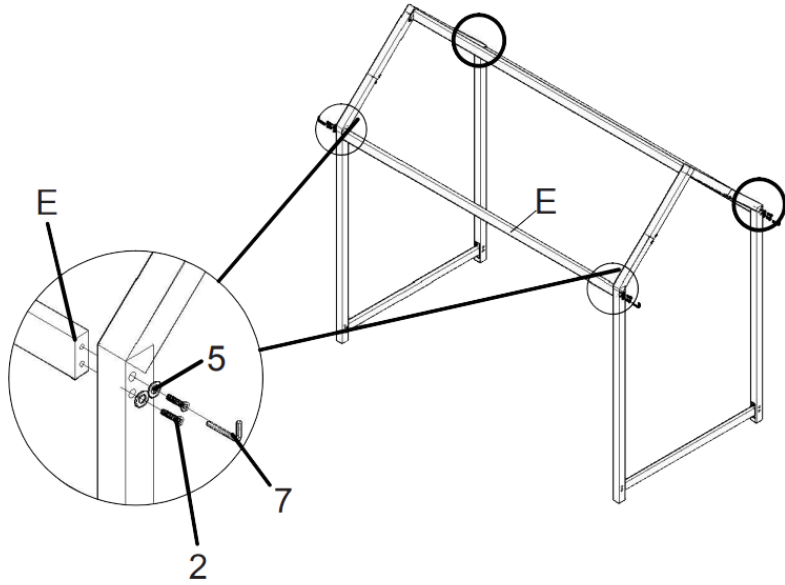
Step 2:



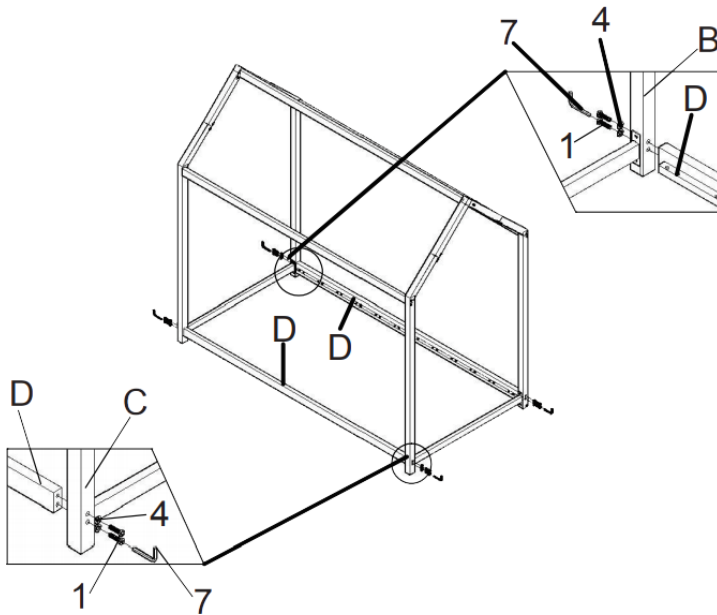
Step 3:



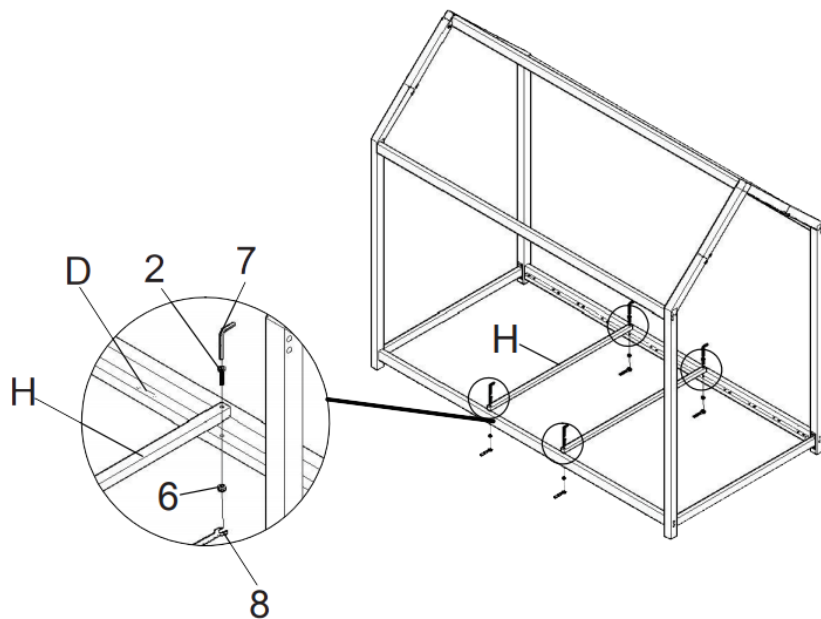
Step 4:



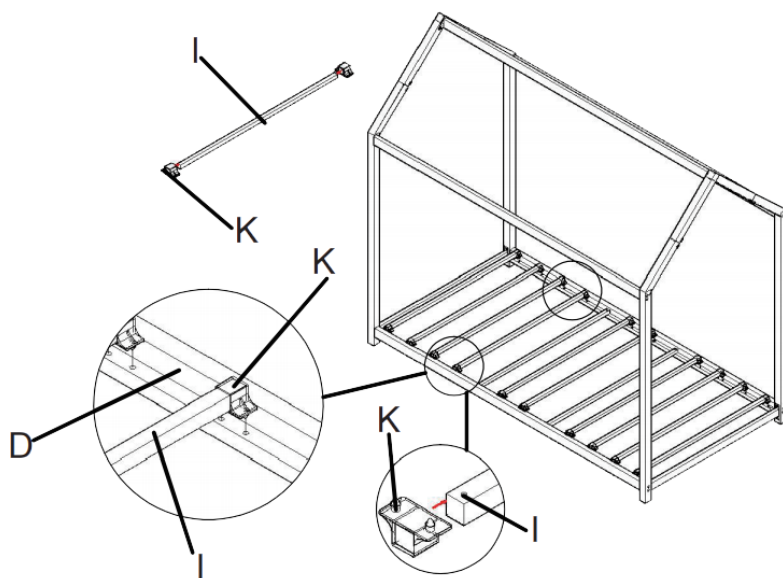
Step 5:



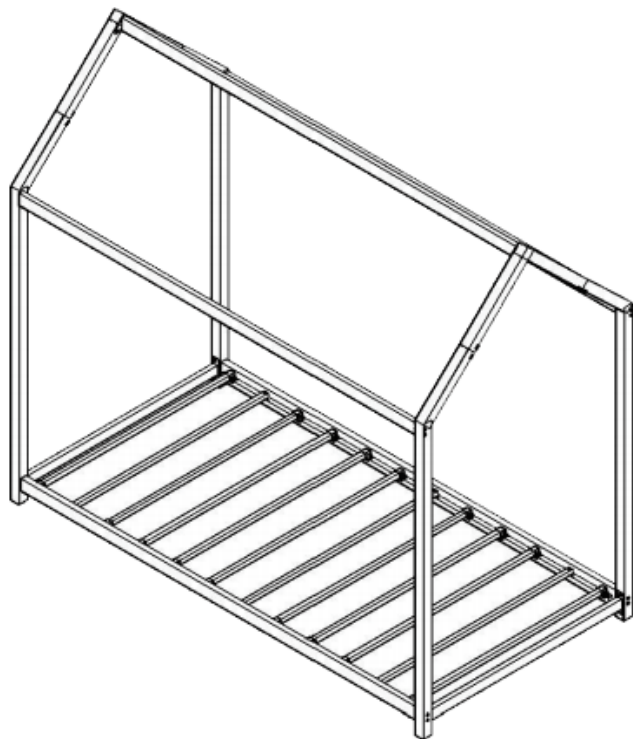
Step 6:



Step 7:



Step 8:



CLEANING & CARE

Depending on the amount of use this product received, it may be necessary to tighten the fixings from time to time. This is normal for any flat-pack furniture.

For cleaning, use a cloth (not wet), dry duster and normal furniture polish.

For any assistance, please contact the support team via your Kogan.com account.

Need more information?

We hope that this user guide has given you the assistance needed for a simple set-up. For the most up-to-date guide for your product, as well as any additional assistance you may require, head online to **help.kogan.com**

kogan