

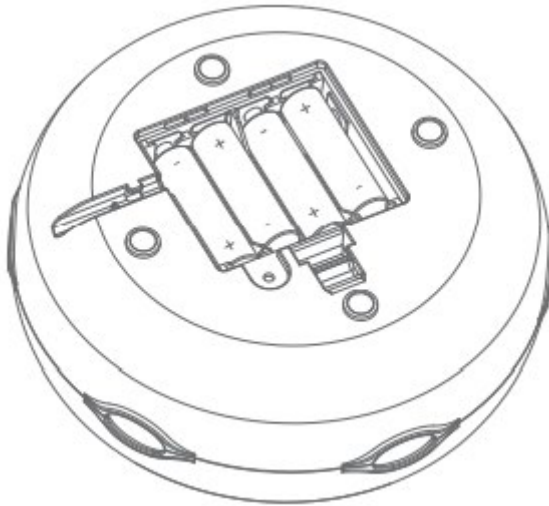


INTERACTIVE FEATHER CAT TOY

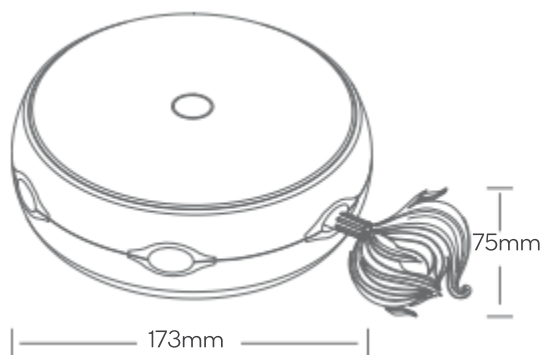
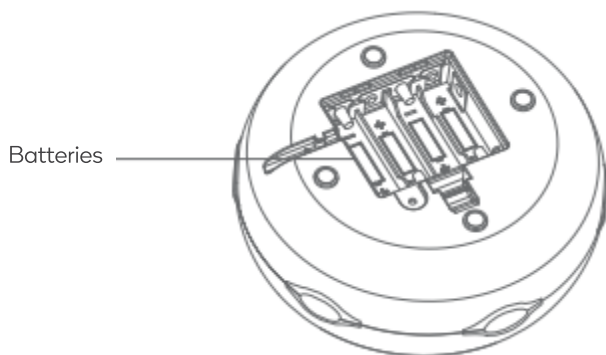
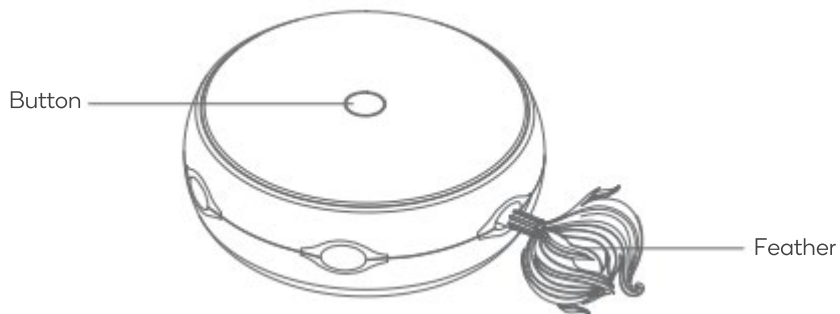
PPFEACATOYA

SAFETY & WARNINGS

- Install the batteries correctly based on their polarities. Children must use or replace batteries under the guidance of an adult.
- Do not use a mix of new batteries and old batteries.
- Do not charge non-rechargeable batteries.
- Do not use a mix of batteries of different types or brands.
- If the product will not be used for an extended period, remove the batteries.



OVERVIEW

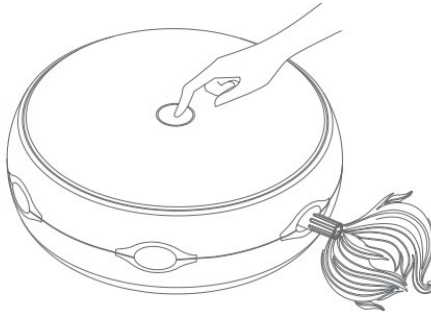


OPERATION

Battery installation

- Remove battery holder cover
- Load 4 x AA batteries
- Replace the cover

Power on/off



Short press the button on top of the unit to power it on or off.

Note

When short pressing the button, double flashing of the LED indicator signifies low battery; change the batteries accordingly.

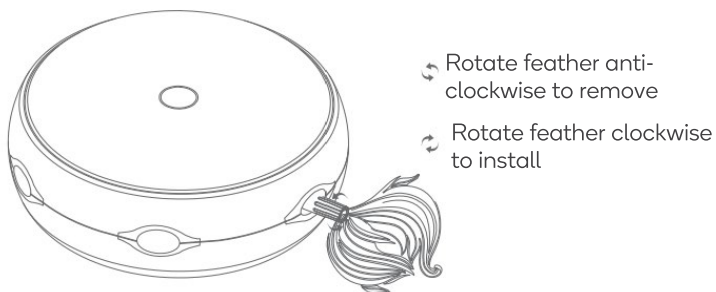
Mode selection

Press and hold the button to switch between modes and release the button to adopt the currently selected mode. Each cycle will last for 8 minutes, after which the unit powers off.


1. High-speed mode (LED indicator light: Blue).
2. Medium-speed mode (LED indicator light: Yellow).
3. Low-speed mode /change feather mode (LED indicator light: Purple)

Changing feathers

Long press the button to switch to low-speed mode (purple). When the feather fully extends outward, short press the button to power it off and change the feather.



SPECIFICATIONS

Dimensions	173 x 173 x 75mm
Net weight	350g
Material	ABS+PC
Voltage	5V 
Current	1A
Operating temperature	0-40°C
Power supply	4 AA battery

IN THE BOX

- 1 x Smart cat toy
- 2 x Feathers (Including 1 spare)
- 1 x User guide
- 1 x Warranty card

Need more information?

We hope that this user guide has given you the assistance needed for a simple set-up. For the most up-to-date guide for your product, as well as any additional assistance you may require, head online to **help.kogan.com**

kogan