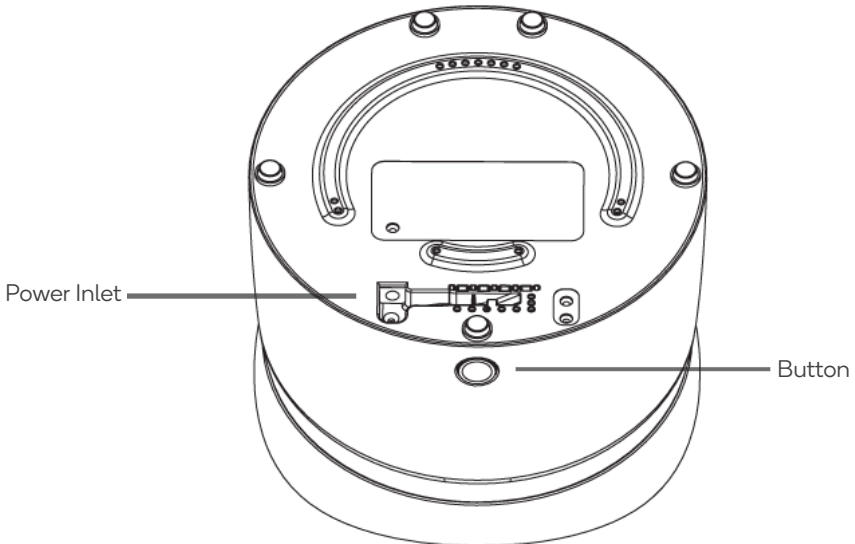
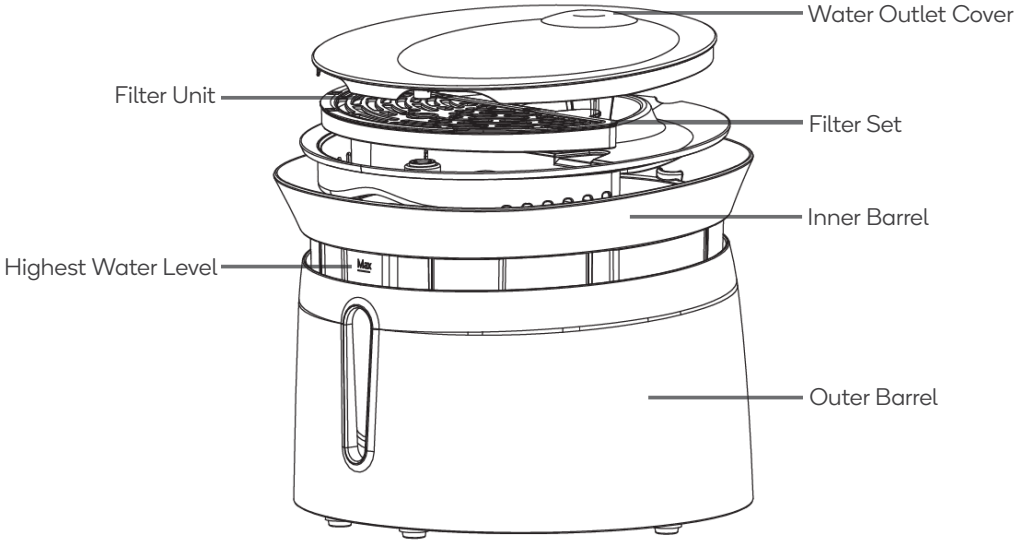


PAWEVER PETS TRIPLE FILTER PET WATER FOUNTAIN

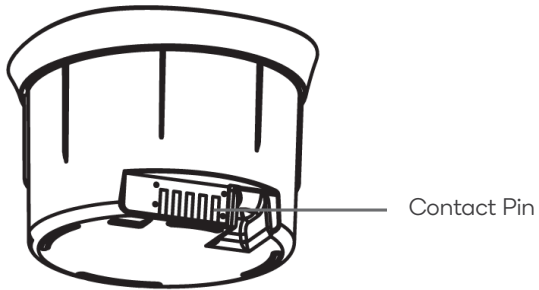
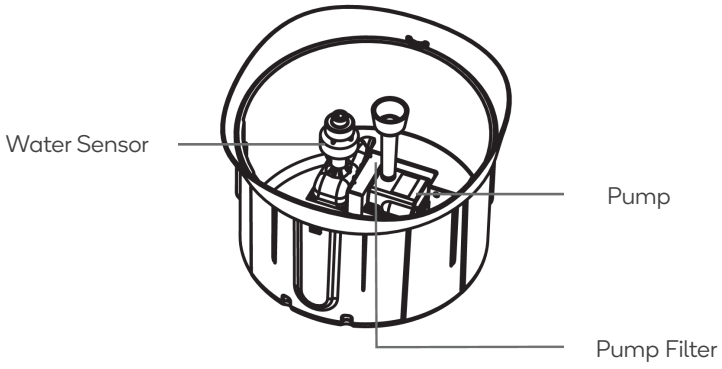
PPFLPETFNTA

OVERVIEW

Parts

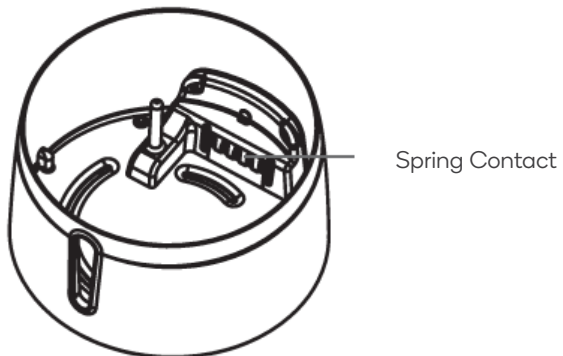


Inner Barrel



Note: Keep contact pins dry to avoid damage or malfunction.

Outer Barrel



ASSEMBLY

1. Remove the unit from the packaging.
2. Remove the filter unit from its bag and install it in the filter assembly.
3. Rinse the pump filter, then insert it next to the pump.
4. Connect the power adapter into the unit's power inlet.
5. Remove the inner barrel, fill it with water and then reinstall it.
6. Connect the power adapter to the mains power supply.

OPERATION

Instructions for Use

- Short press: Change modes
- Long press (approx. 1 second): Power on/off
- Long press for about 3 seconds: To reset the filter changing notification.
- Changing intervals: 30 days under normal mode;60 days under interval mode.

Note: When the red light is ON and pump stops working, please check if the water level is low.

Working Mode

Normal Mode: White LED is ON. The water fountain is constantly bubbling, filtering and cleaning the water.

Interval Mode: Blue LED is ON. The water fountain bubbles every other 2 minutes.

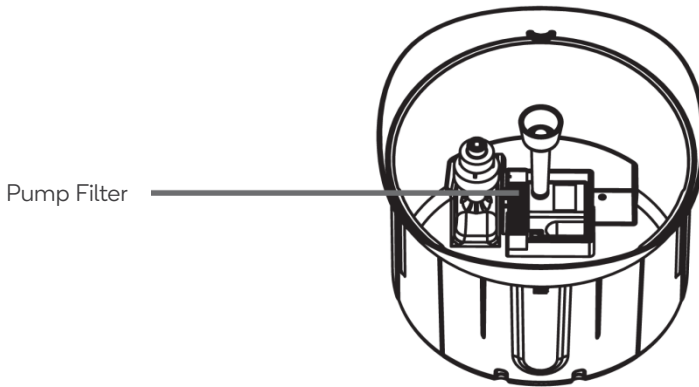
LED Description

1. White LED is ON: The water fountain works in normal mode.
2. Blue LED is ON: The water fountain works in interval mode.
3. Red LED is flashing: Lack of water, please fill in water in time.
4. Purple LED is flashing: Replace the filter and reset the filter changing notification (long press for about 3 seconds).
5. The LED is OFF: The water fountain is power OFF.

CLEANING & CARE

Clean the pump filter

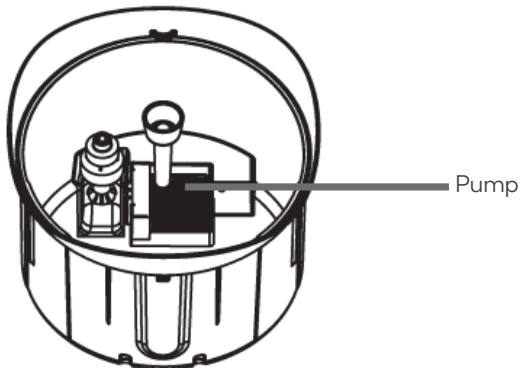
- Remove the pump filter and wash it with clean water. If it can't be cleaned, please replace it.



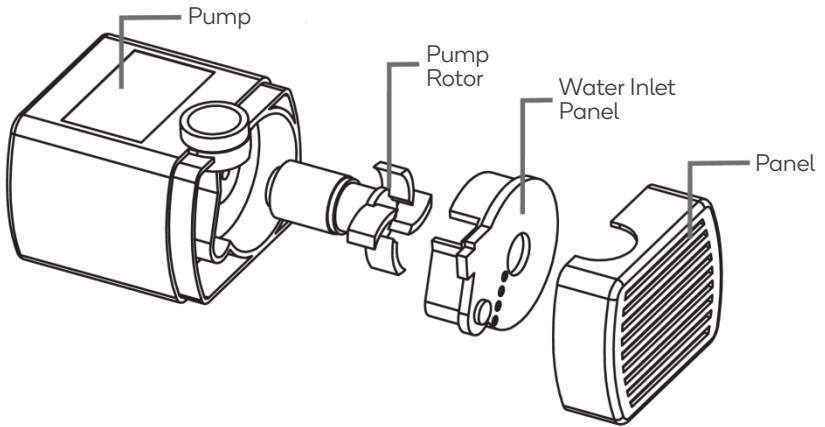
Clean the pump

After a period of use, the pump may collect some debris, foreign objects, make noise or the water may not flow as smoothly. Please clean the pump carefully to ensure its normal operation.

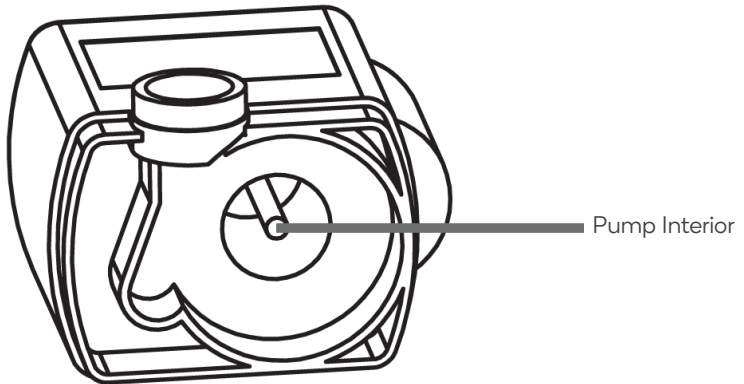
1. Remove the inner barrel and disassemble the pump.



2. Remove the panel, water inlet panel and the rotor sequentially and then rinse them with water.



3. Clean the inside of the pump with a small brush.



Replace the filter unit

To ensure the cleanliness of your pet's drinking water, it is recommended to replace the filter every 2 to 4 weeks, depending on the number of pets.

TROUBLESHOOTING

Error Description	Solution
LED indicator is off	<ul style="list-style-type: none"> • Ensure pump is installed correctly and fountain has been turned on. • Ensure cable is undamaged and adapter is securely connected.
No water flow, red LED indicator flashing	<ul style="list-style-type: none"> • Ensure water level is sufficient: add water accordingly.
No water flow, red LED indicator off	<ul style="list-style-type: none"> • Ensure pump is installed correctly and fountain has been turned on. • Ensure contacts of inner and outer barrels are clean and undamaged.
Low water flow	<ul style="list-style-type: none"> • Ensure the pump and outlet fountain cover are correctly installed. • Check if pump filter is blocked: if so, clean and replace filter pump. (Refer to Cleaning & Care) • Ensure pump is clear: if not, clean the pump rotor. (Refer to Cleaning & Care)
Excessive noise from pump	<ul style="list-style-type: none"> • Ensure the pump and outlet fountain cover are correctly installed. • Check if pump filter is blocked: if so, clean and replace filter pump. (Refer to Cleaning & Care) • Ensure pump is clear: if not, clean the pump rotor. (Refer to Cleaning & Care)
Inconsistent water flow	<ul style="list-style-type: none"> • Ensure water level is sufficient: add water accordingly. • Short press the button to switch to normal mode.
Sound of the overflow occurs	<ul style="list-style-type: none"> • Remove protection bag of the filter unit and install the filter unit. • Check if the filter unit is blocked and then clean or replace the filter unit.

If the above steps do not resolve an issue you are facing, contact Kogan.com.

SPECIFICATIONS

Rated Voltage	Rated Current	Volume	Noise Level	Dimensions
5V	500mA	2L	40dB	216 x 216 x 157mm

IN THE BOX

No	Description	Quantity
1	Water fountain	1
2	Power adapter	1
3	Filter unit	1
4	Pump filter	2
5	Warranty card	1
6	Quick start guide	1

Note: A spare pump filter is included.

Need more information?

We hope that this user guide has given you the assistance needed for a simple set-up. For the most up-to-date guide for your product, as well as any additional assistance you may require, head online to **help.kogan.com**

kogan