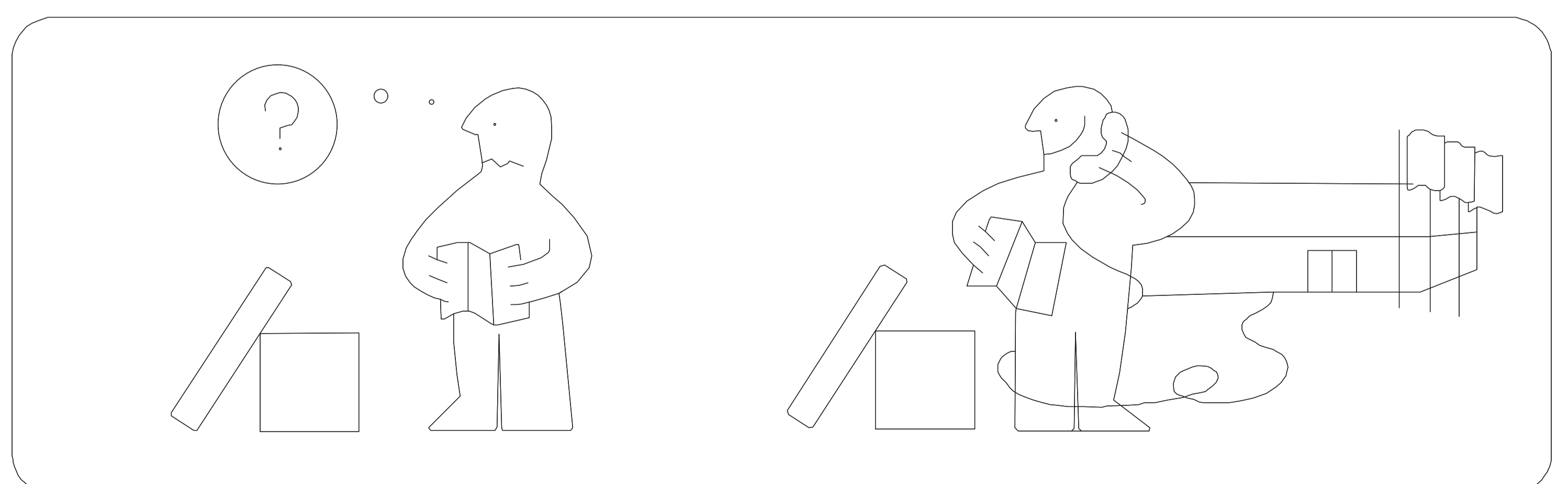
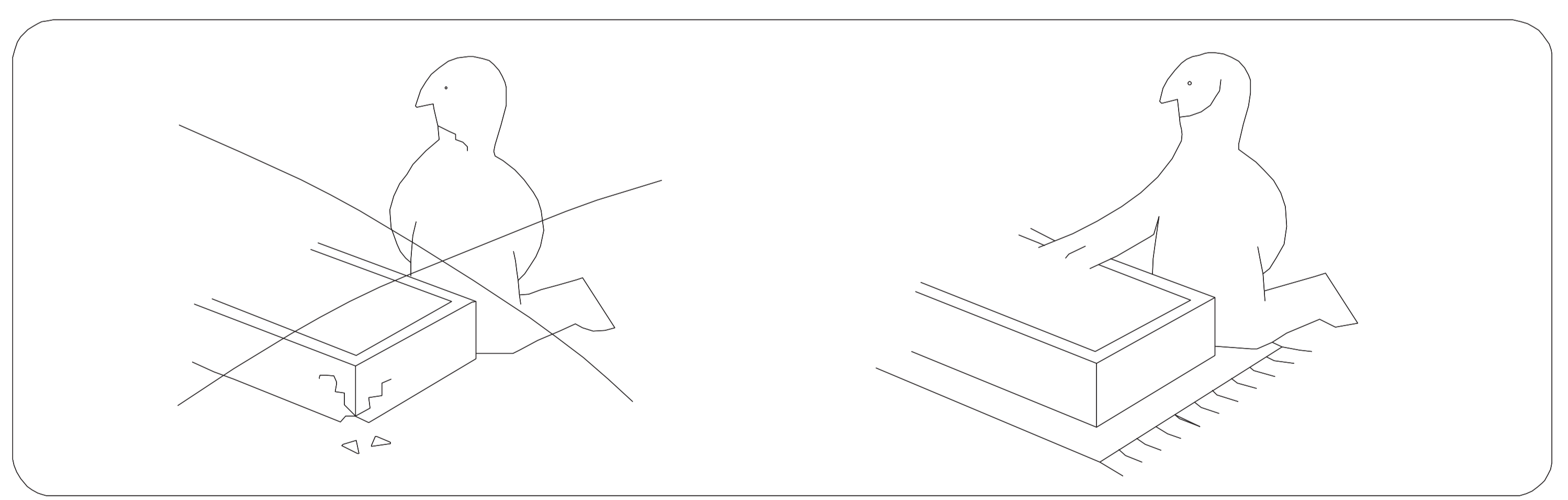
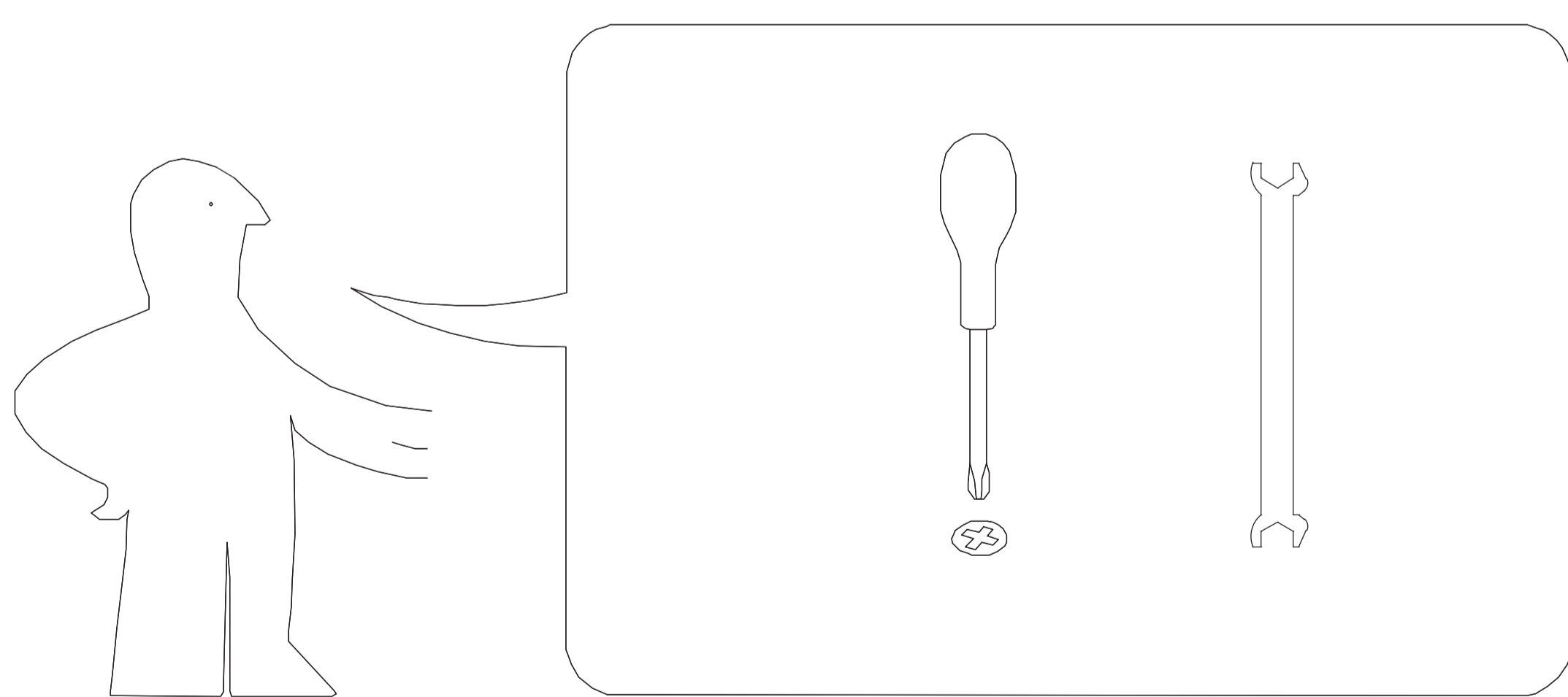
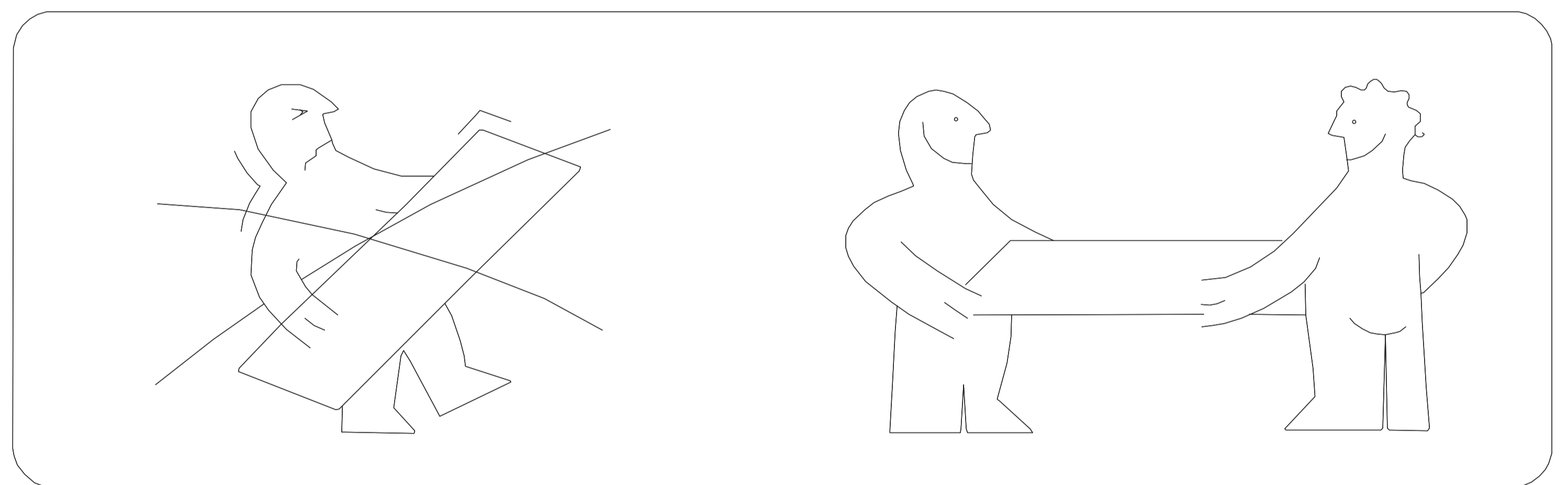
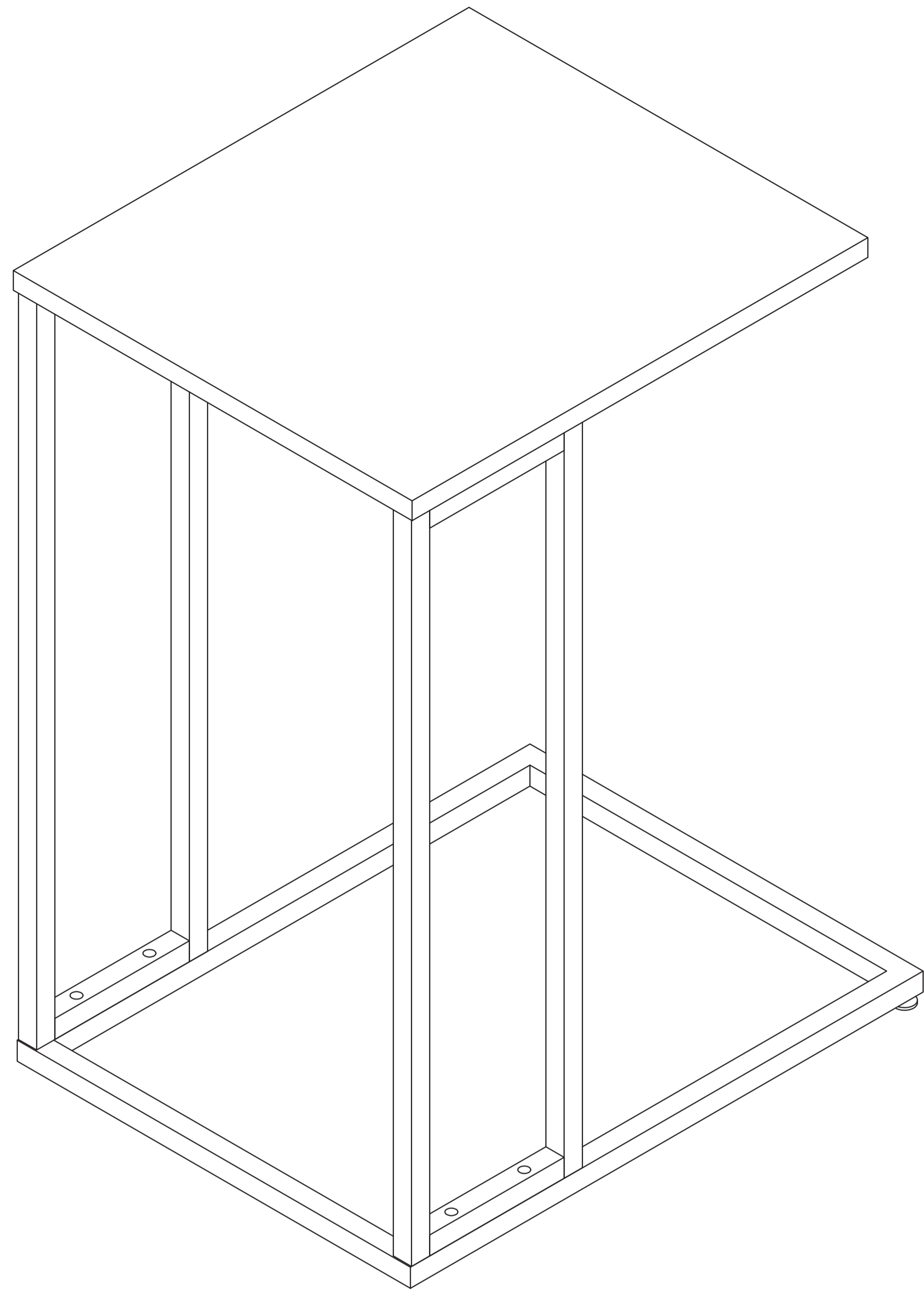


# SHANGRI-LA

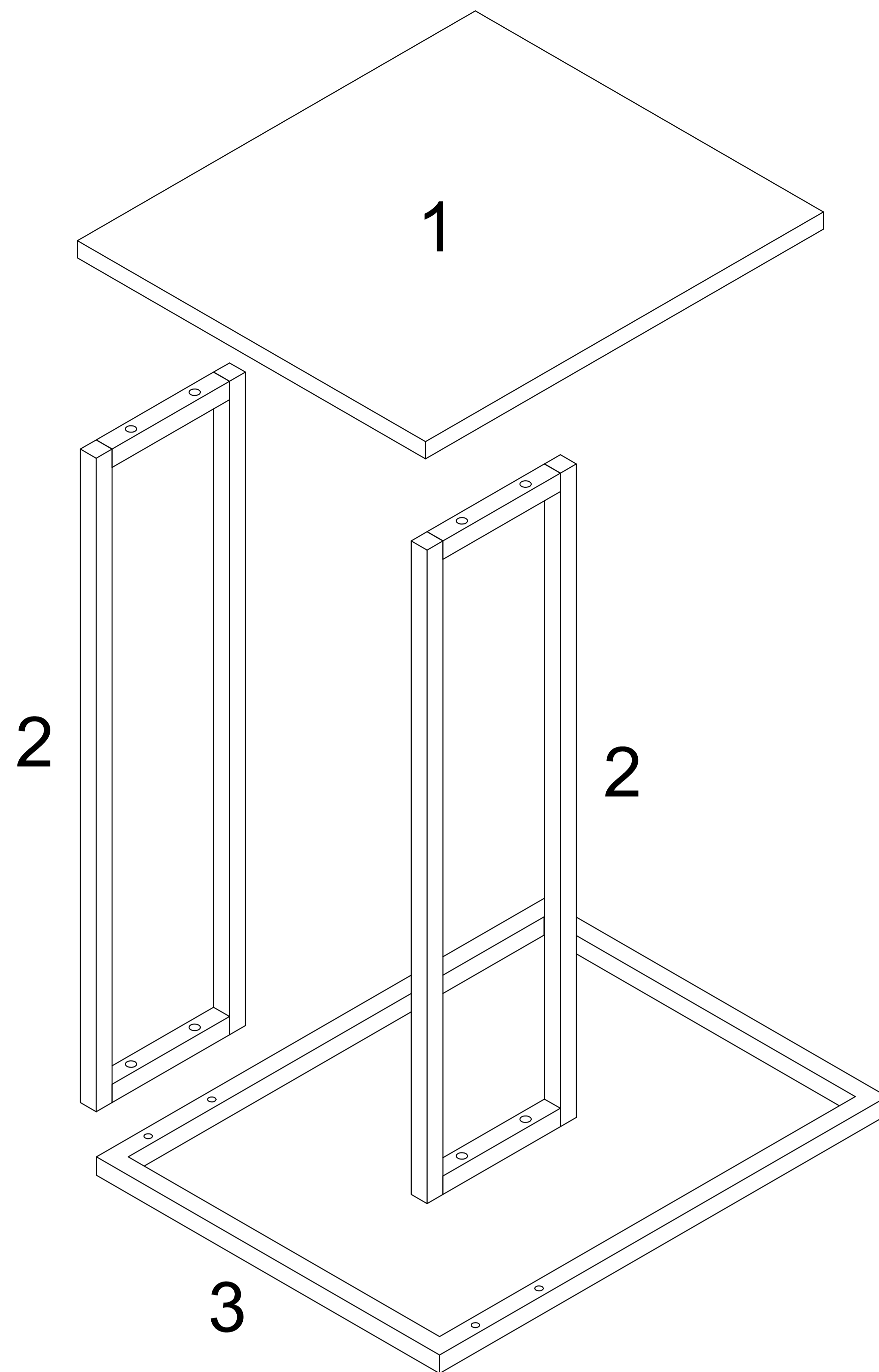
Shangri-La Atlanta Side Table (Walnut)

SLATSTABWA

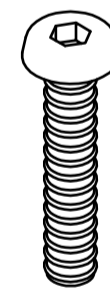
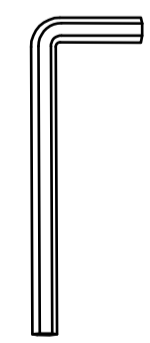
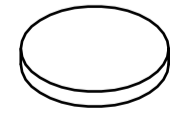
## INSTRUCTION MANUAL

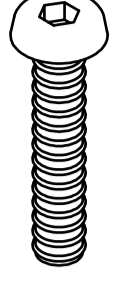
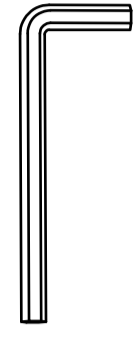


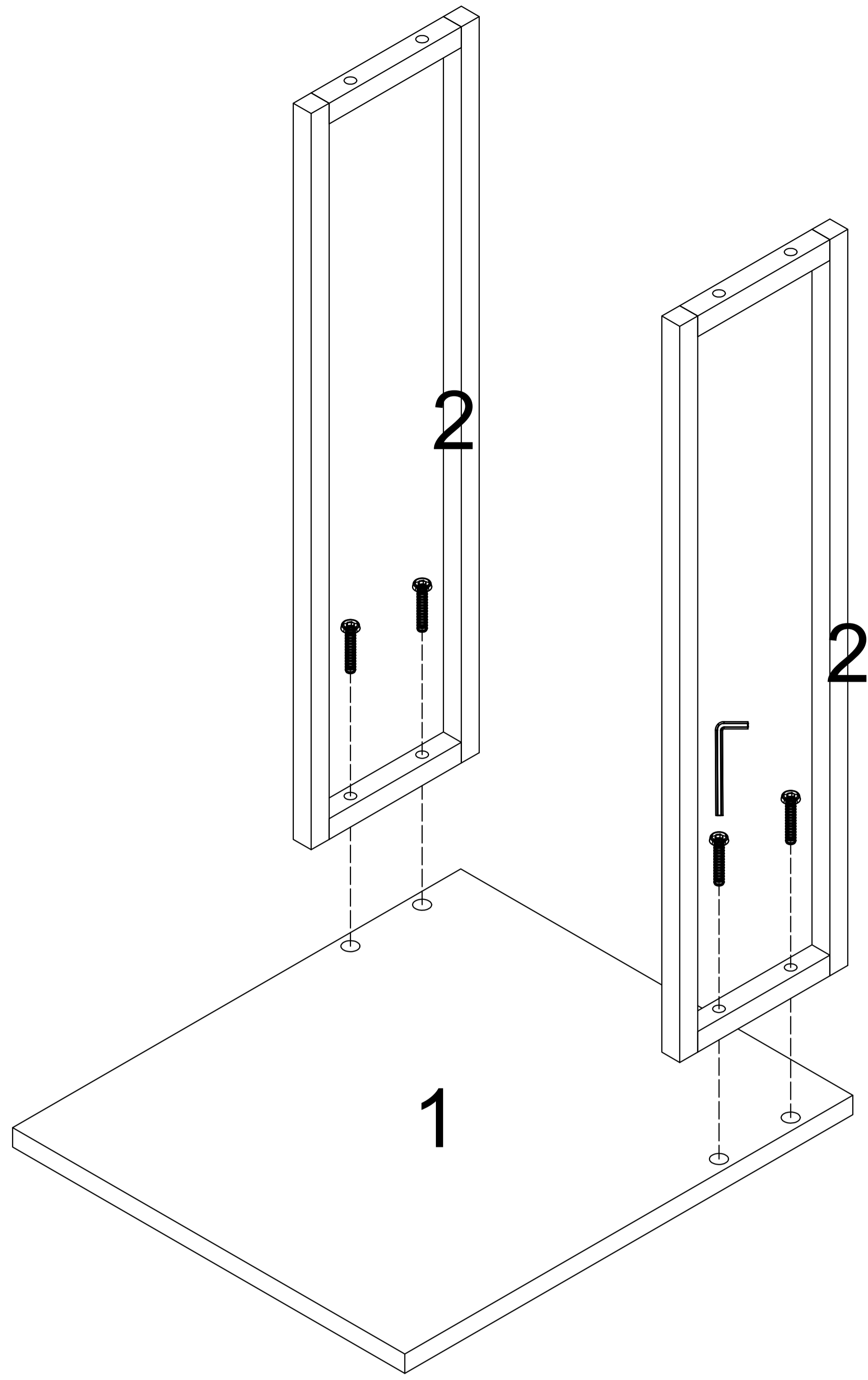
# Components

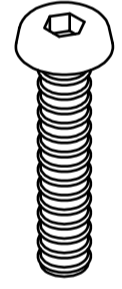
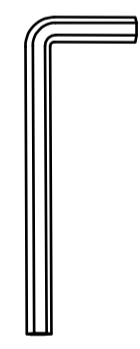
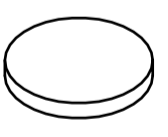


NO.	SIZE	QTY
1	400*350*15	1
2	569*150*16	2
3	450*345*16	1

		
A	M6*25	8PCS
		
B		1PC
		
C		4PCS

		
A	M6*25	4PCS
		
B		1PC



		
A	M6*25	4PCS
		
A	M6*25	4PCS
		
B		4PCS

