

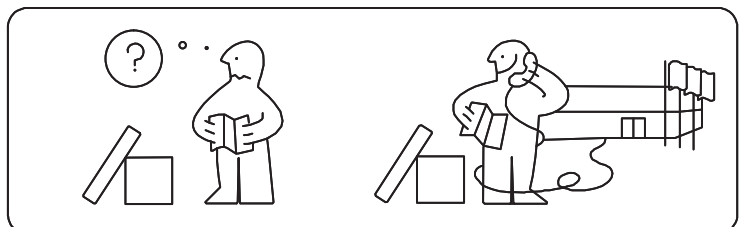
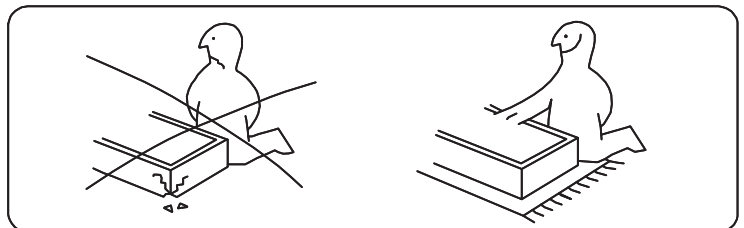
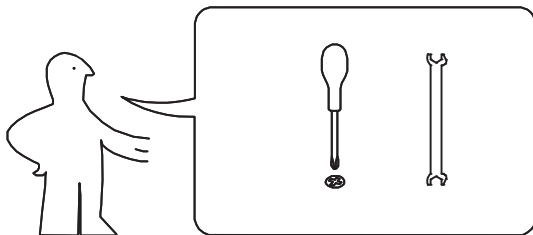
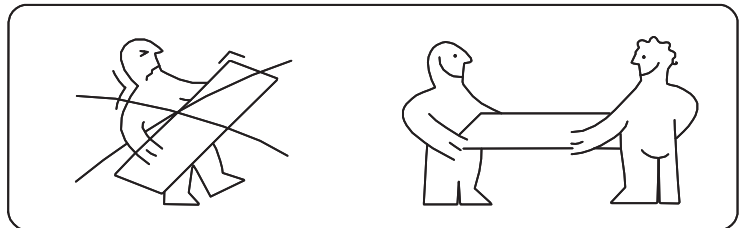
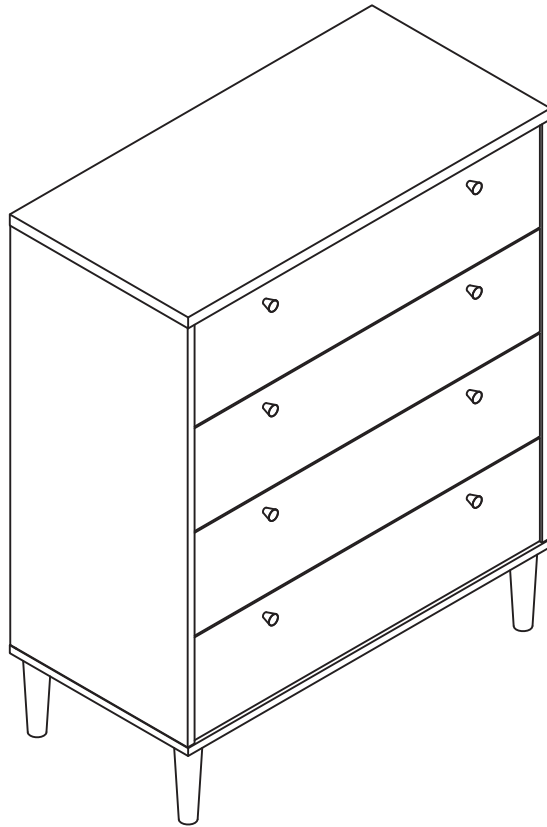
SHANGRI-LA

Avalon

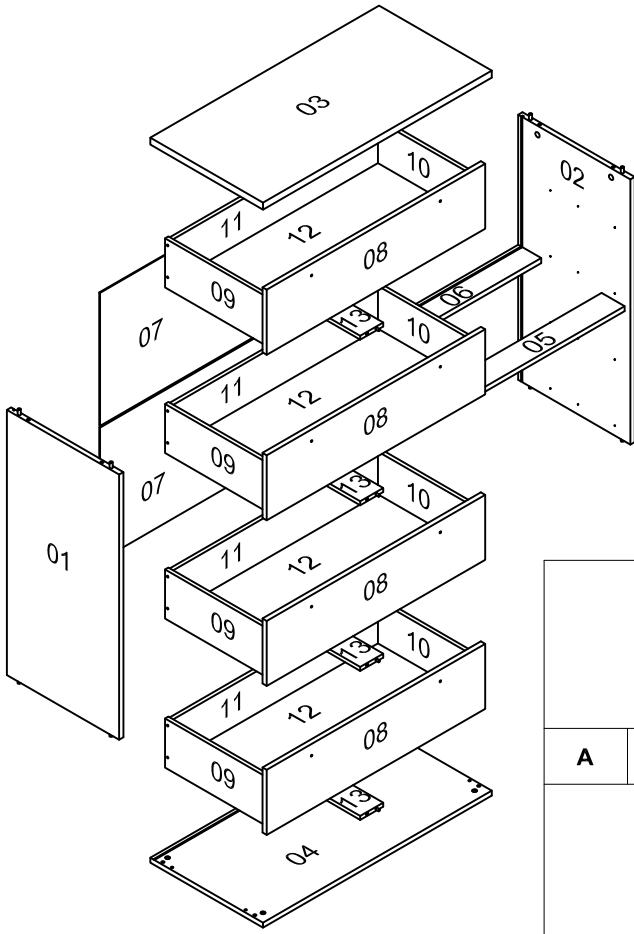
Chest of Draws

SLAV4CHDRA








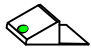
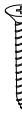
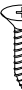
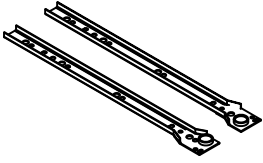
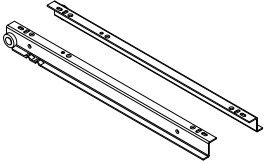




INSTRUCTION MANUAL




Components

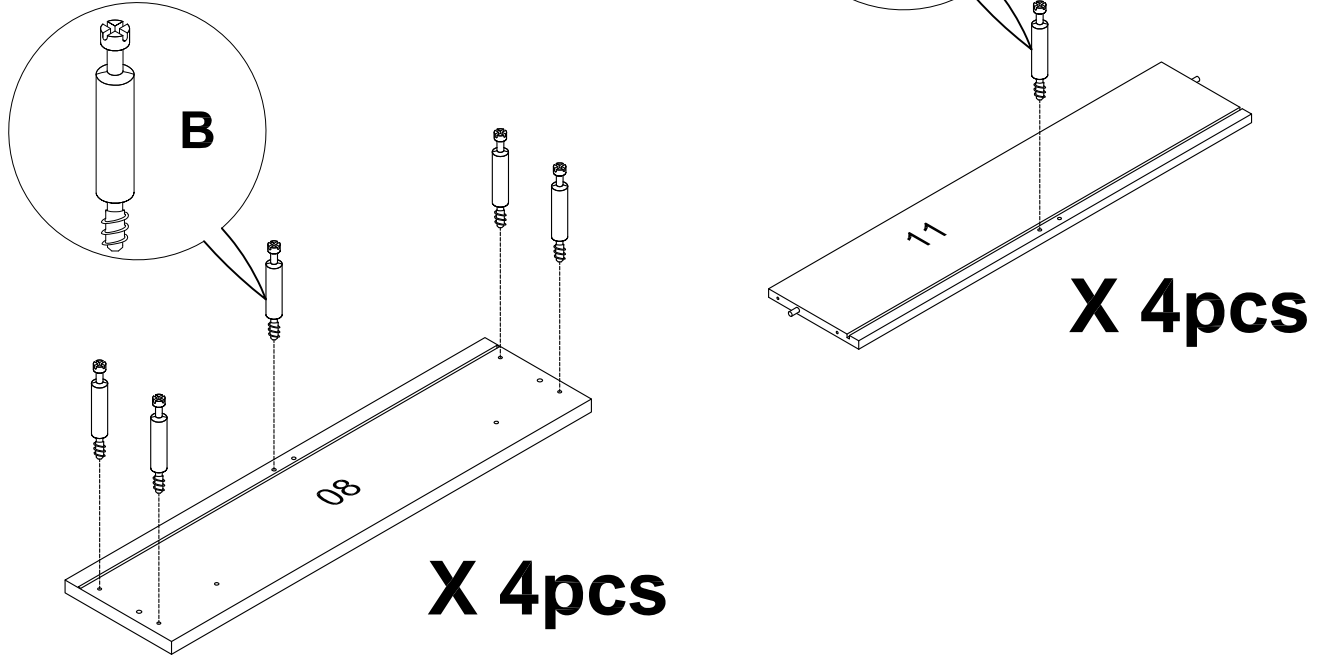


NO.	SIZE(mm)	QTY
01	390*799*15	1
02	390*799*15	1
03	392*796*21	1
04	392*796*15	1
05	80*764*15	1
06	80*764*15	1
07	401*773*2.5	2
08	196*760*15	4
09	148*350*12	4
10	148*350*12	4
11	146*714*12	4
12	344*723*2.5	4
13	80*335*12	4





					
A	Ø15*9.6	32pcs	B	L=35mm	32pcs
					
D	Ø4*32	16pcs	E	Ø45*150	4pcs
					
G	Ø4*20	8pcs	H		8pcs
					
J	Ø3.5*12	24pcs	K	14"	4set
					
M	Ø5.6*11	24pcs	N		1pcs
					
P	Ø4*16	1pcs			

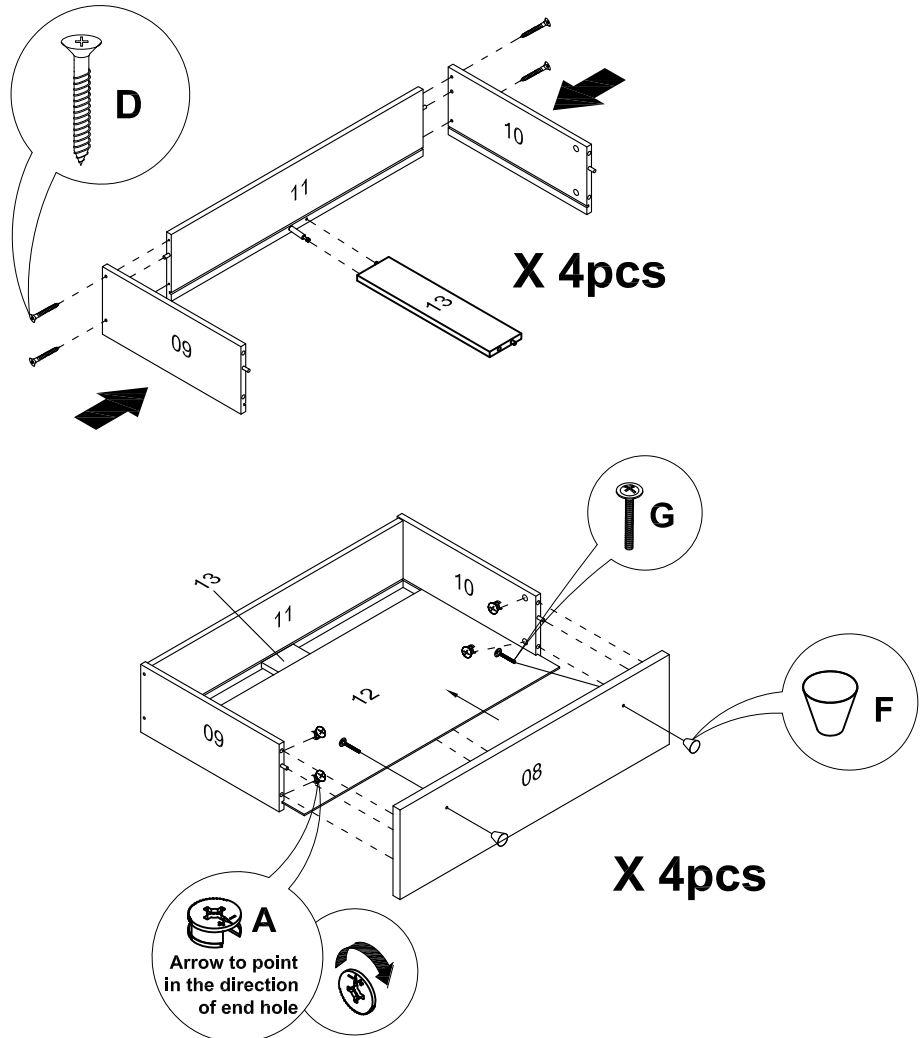
STEP 1:

		
B	L=35mm	24pcs


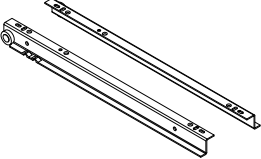



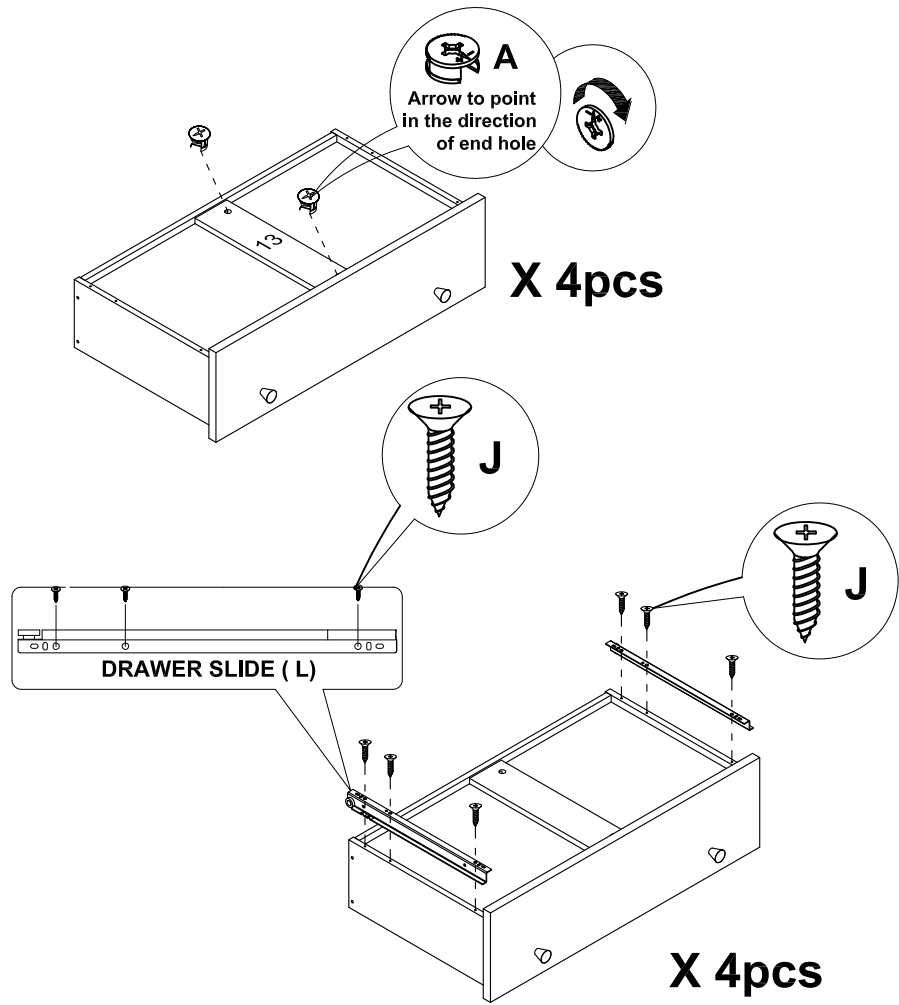
STEP 2:

		
D	Ø4*32	16pcs
		
A	Ø15*9.6	16pcs
		
F		8pcs
		
G	Ø4*20	8pcs




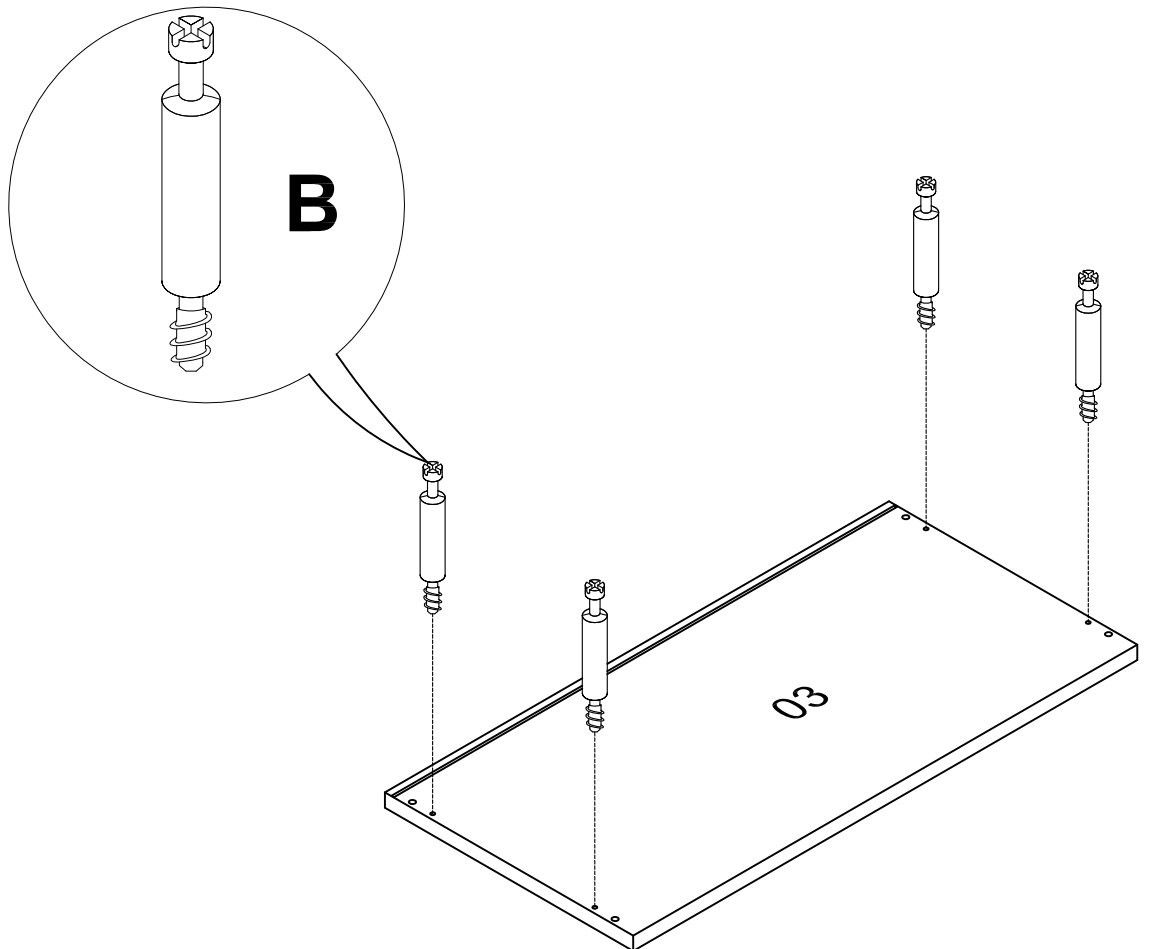
STEP 3:

		
A	Ø15*9.6	8pcs
		
L	14"	4set
		
J	Ø3.5*12	24pcs



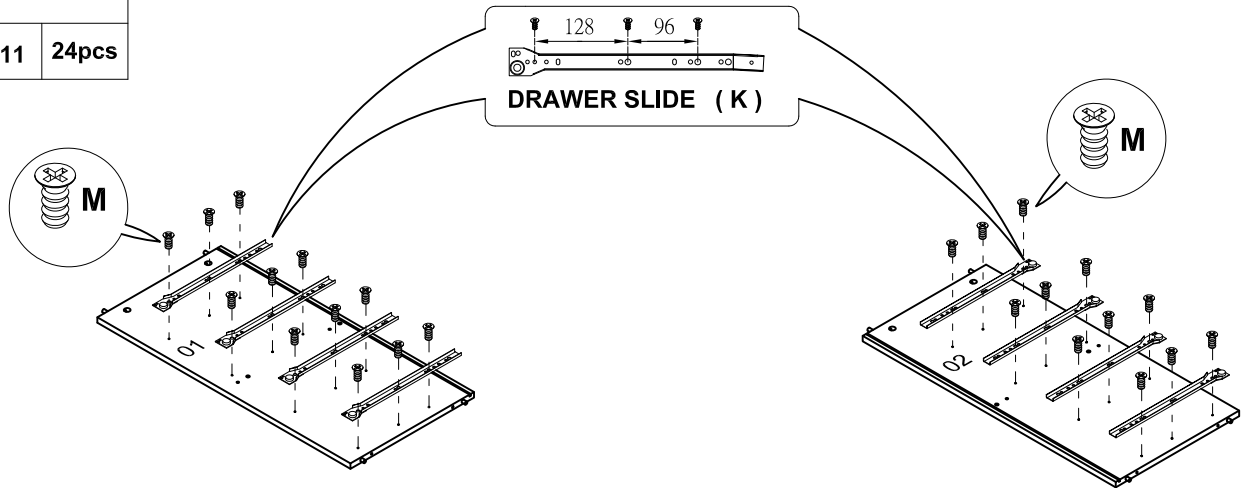
STEP 4:

		
B	L=35mm	4pcs



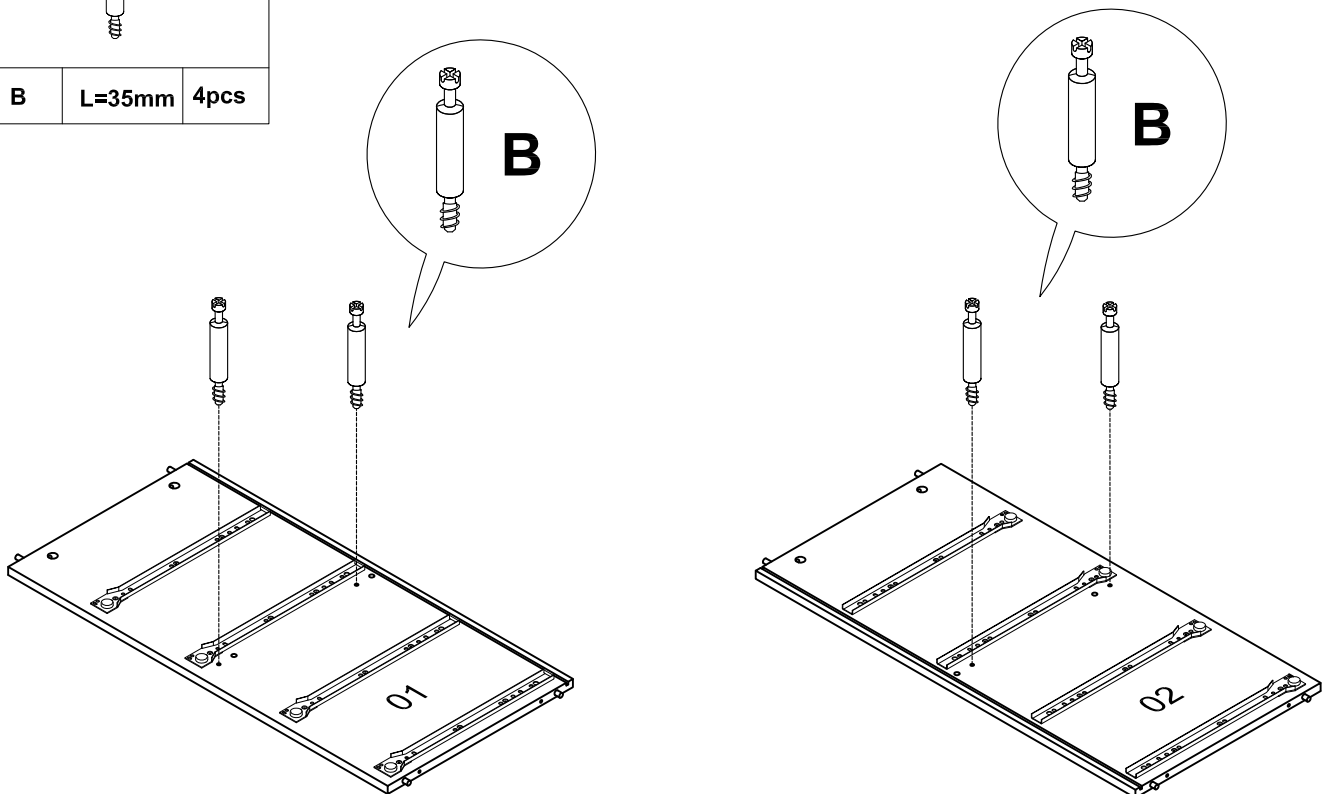
STEP 5:

K	14"	4set
M	Ø5.6*11	24pcs

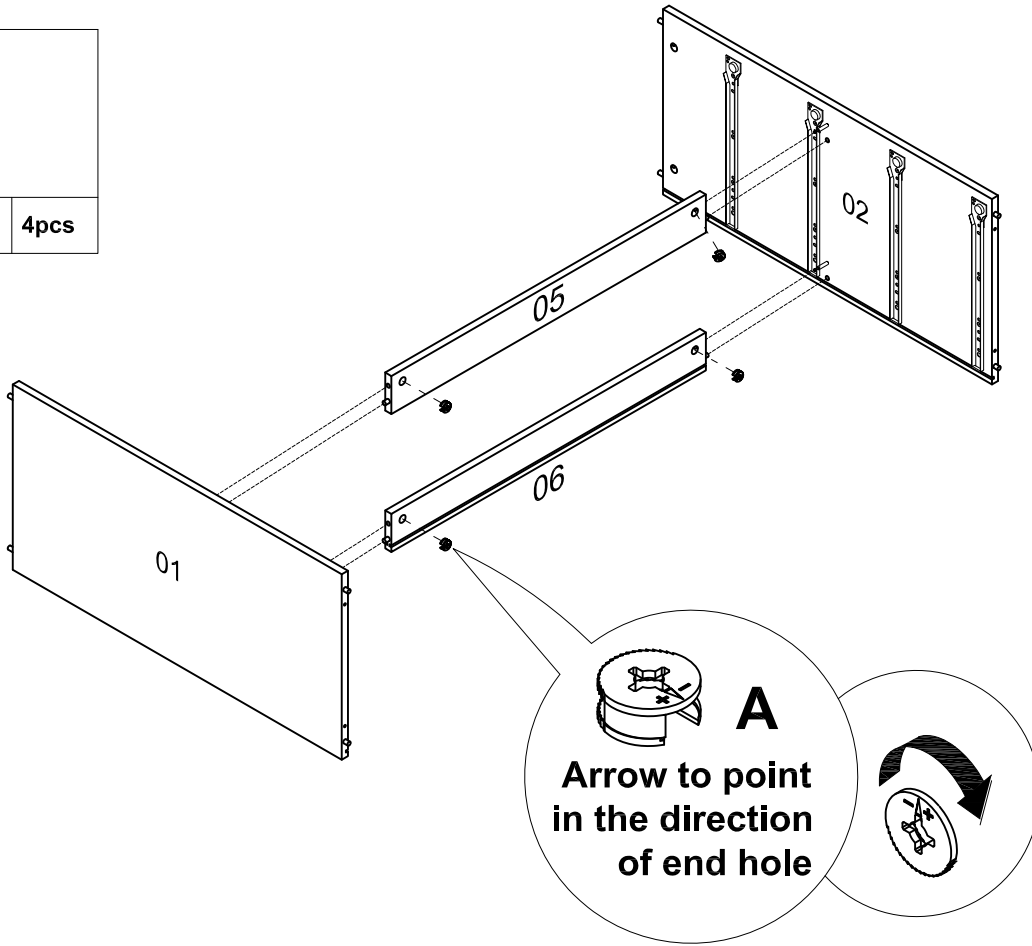
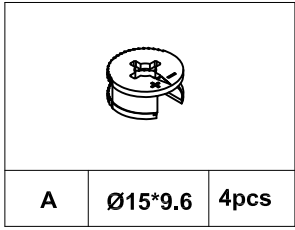


STEP 6:

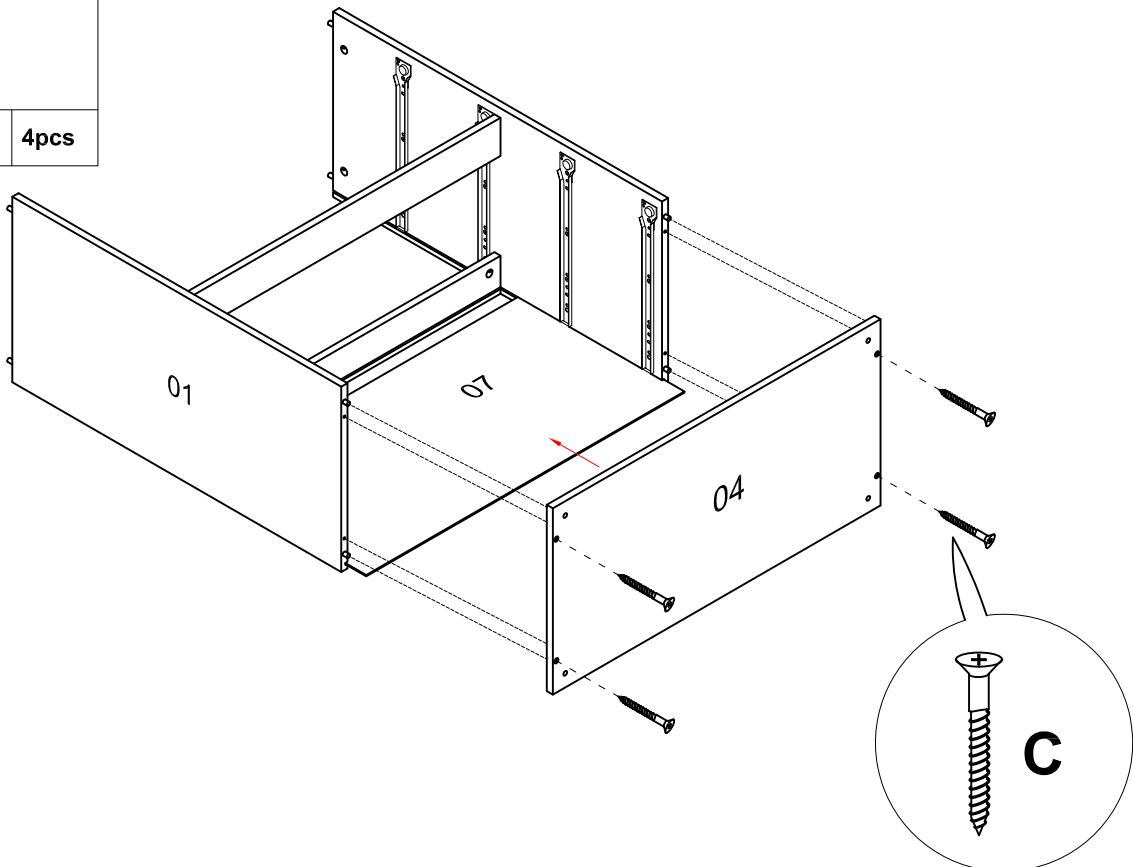
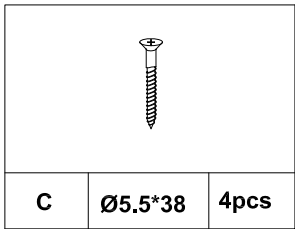
B	L=35mm	4pcs



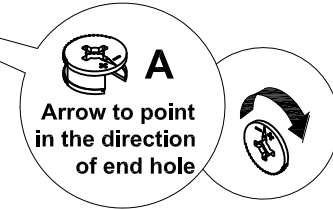
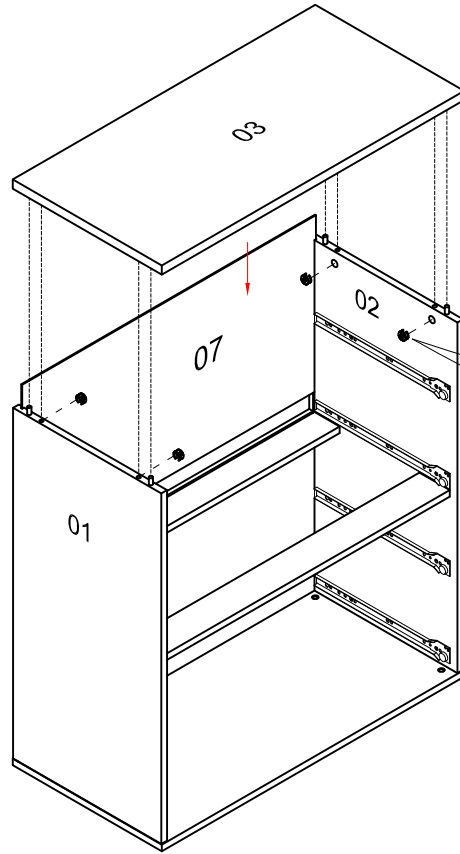
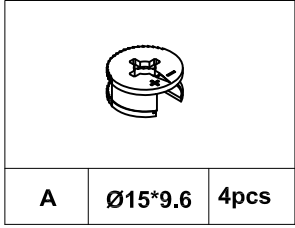
STEP 7:



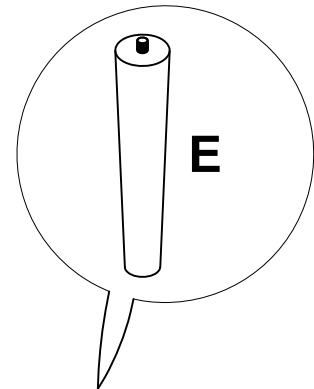
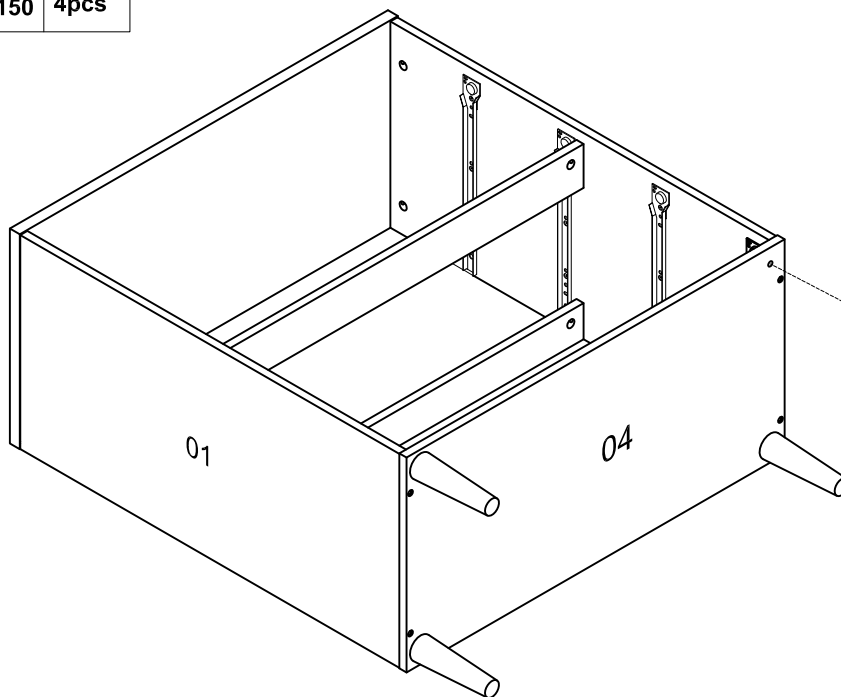
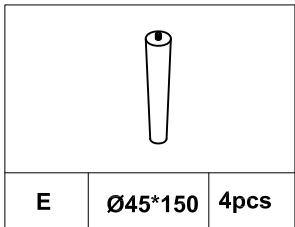
STEP 8:



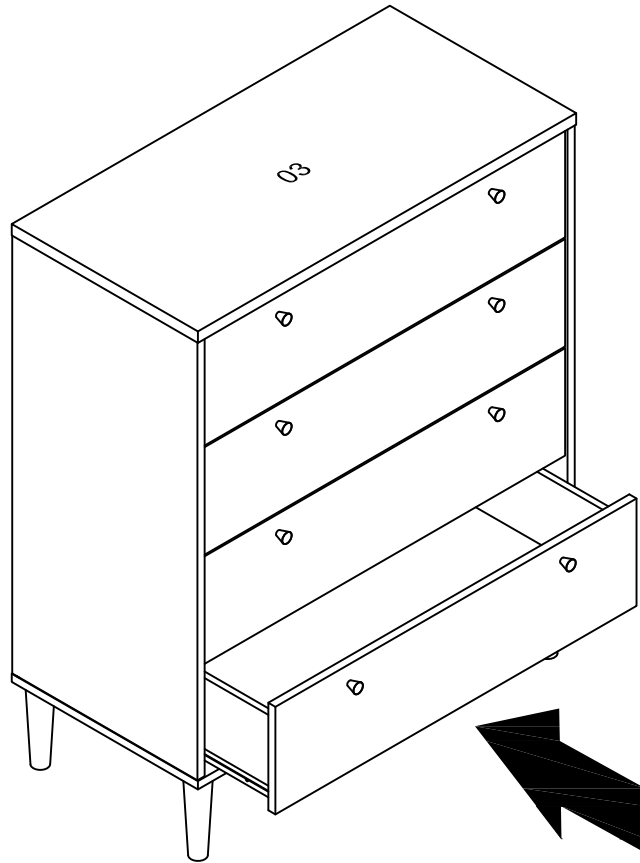
STEP 9:





STEP 10:

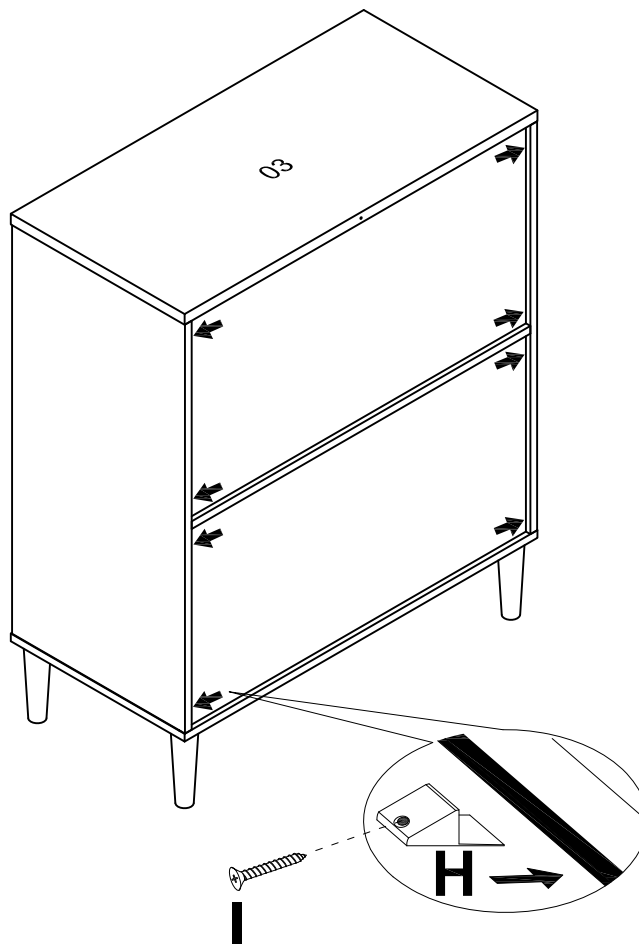


STEP 11:






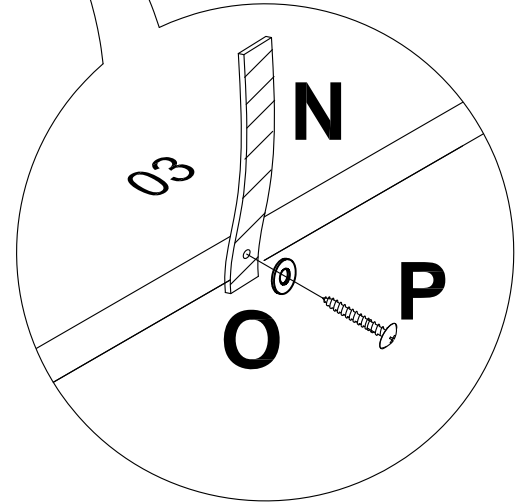
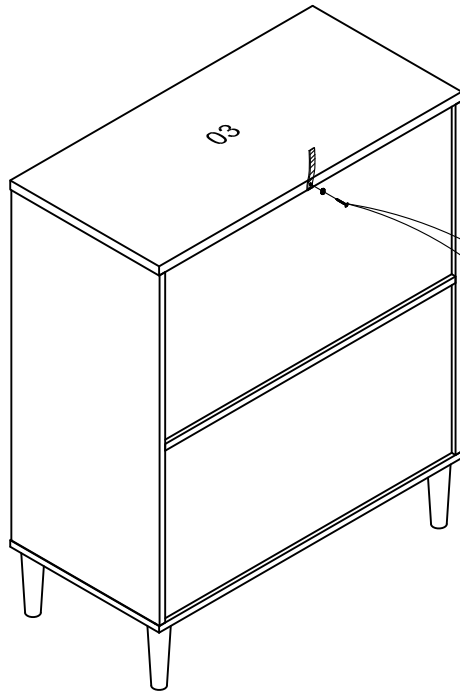
STEP 12:

		
H		8pcs
		
I	Ø3*18	8pcs

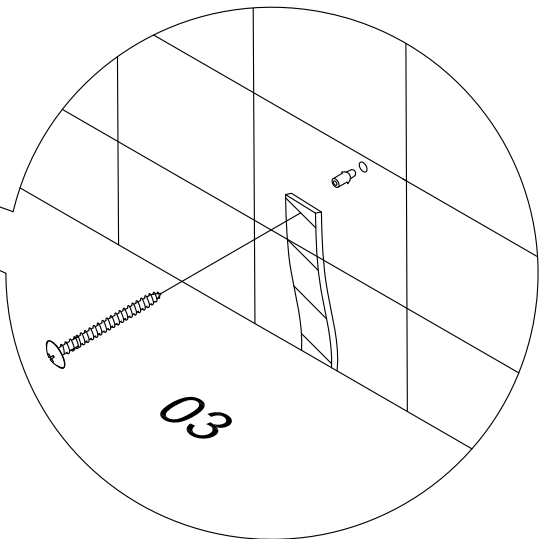
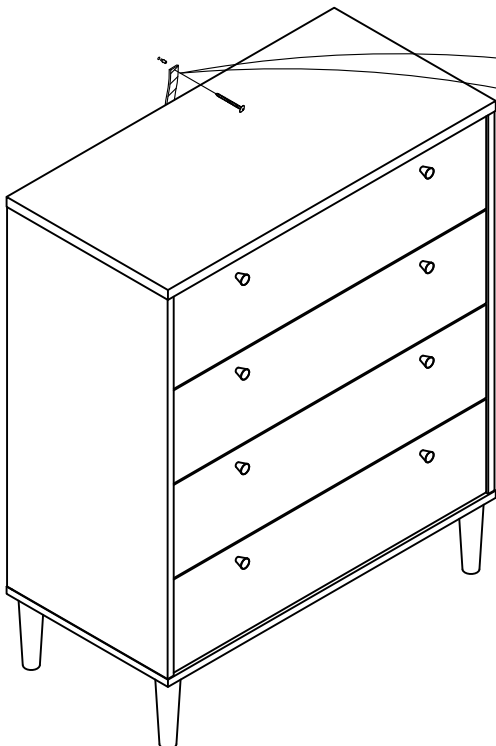


STEP 13:

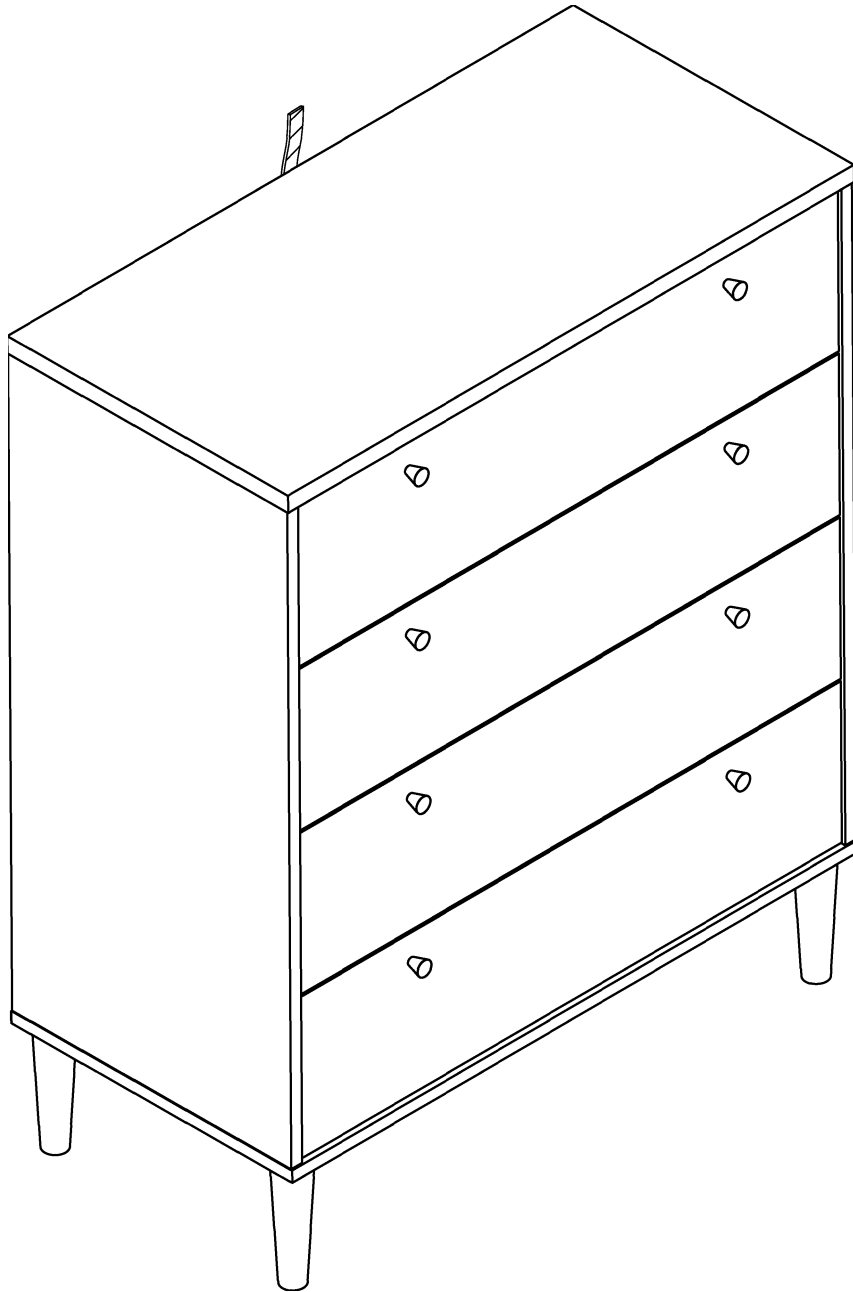
		
N		1pcs
		
O		1pcs
		
P	Ø4*16	1pcs



STEP 14:



Seek advice from a qualified trades person on how to attach this safety strap to your specific wall.



**In the interest of our environment
please dispose of all packaging thoughtfully.**