

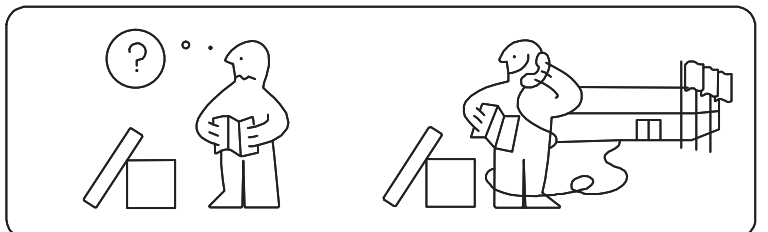
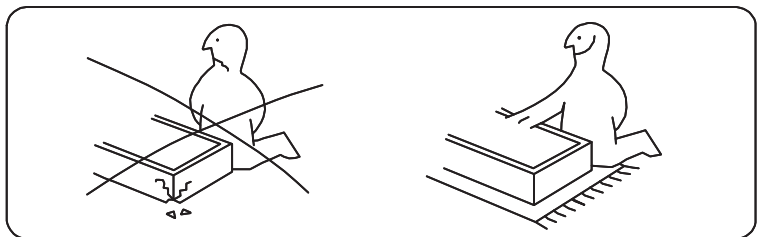
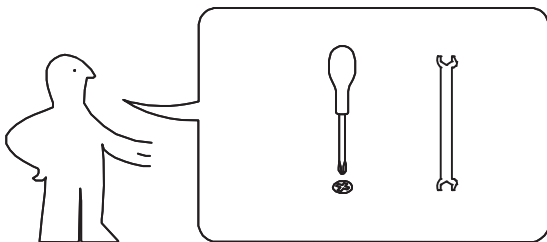
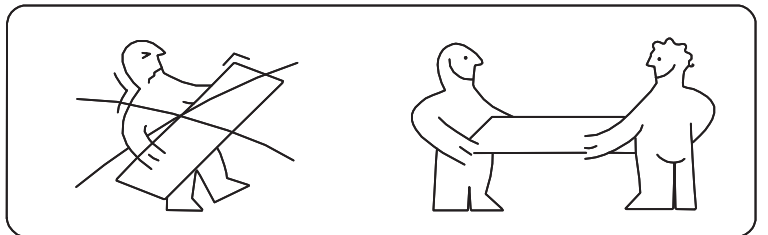
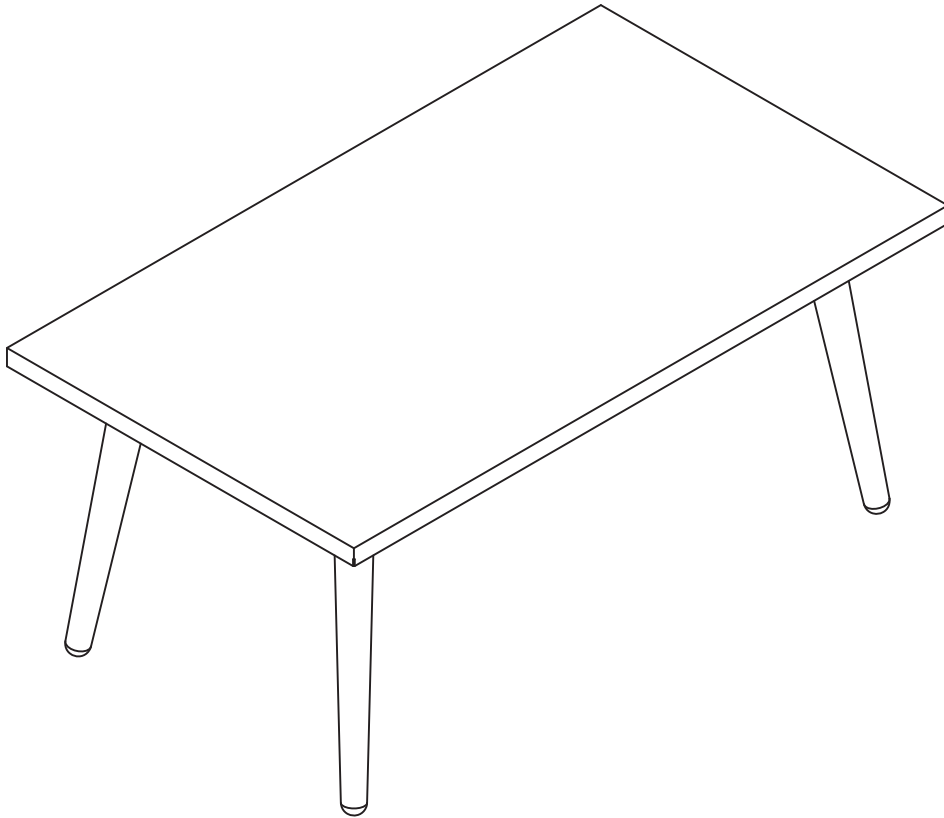
# SHANGRI-LA

## Avalon

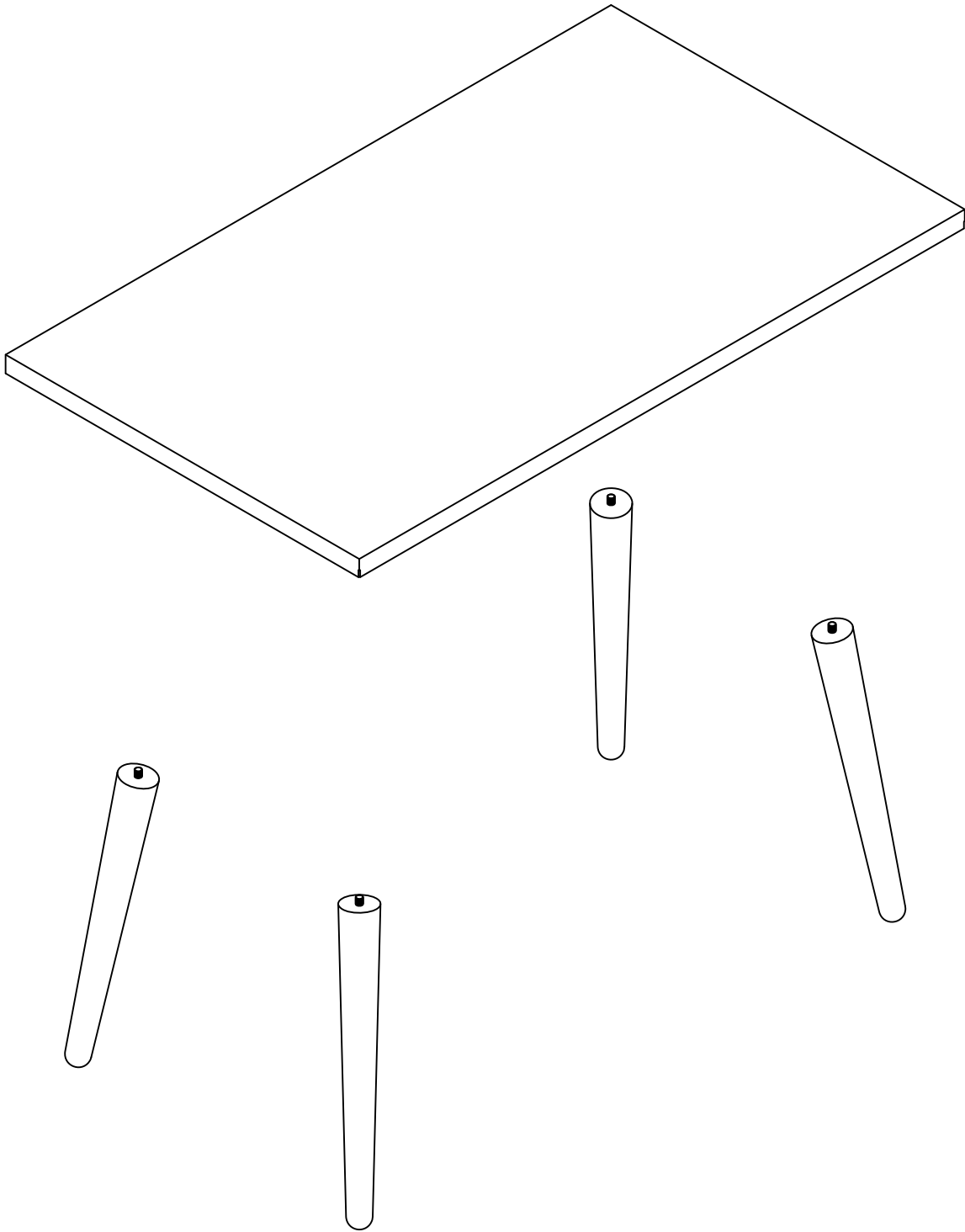
## Coffee Table

## SLAVCFTBLA




## INSTRUCTION MANUAL





# Components

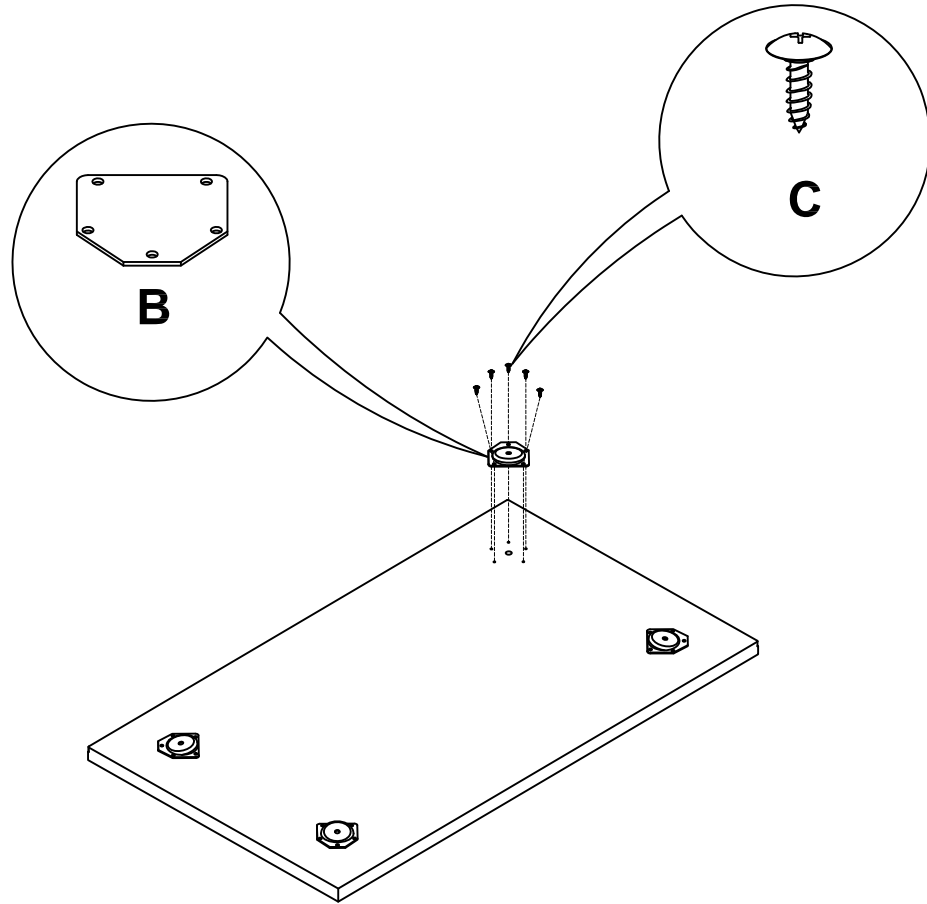


NO.	SIZE(mm)	QTY
01	590*1010*27	1


								
A	Ø50*420	4pcs	B		4pcs	C	Ø5*16	20pcs

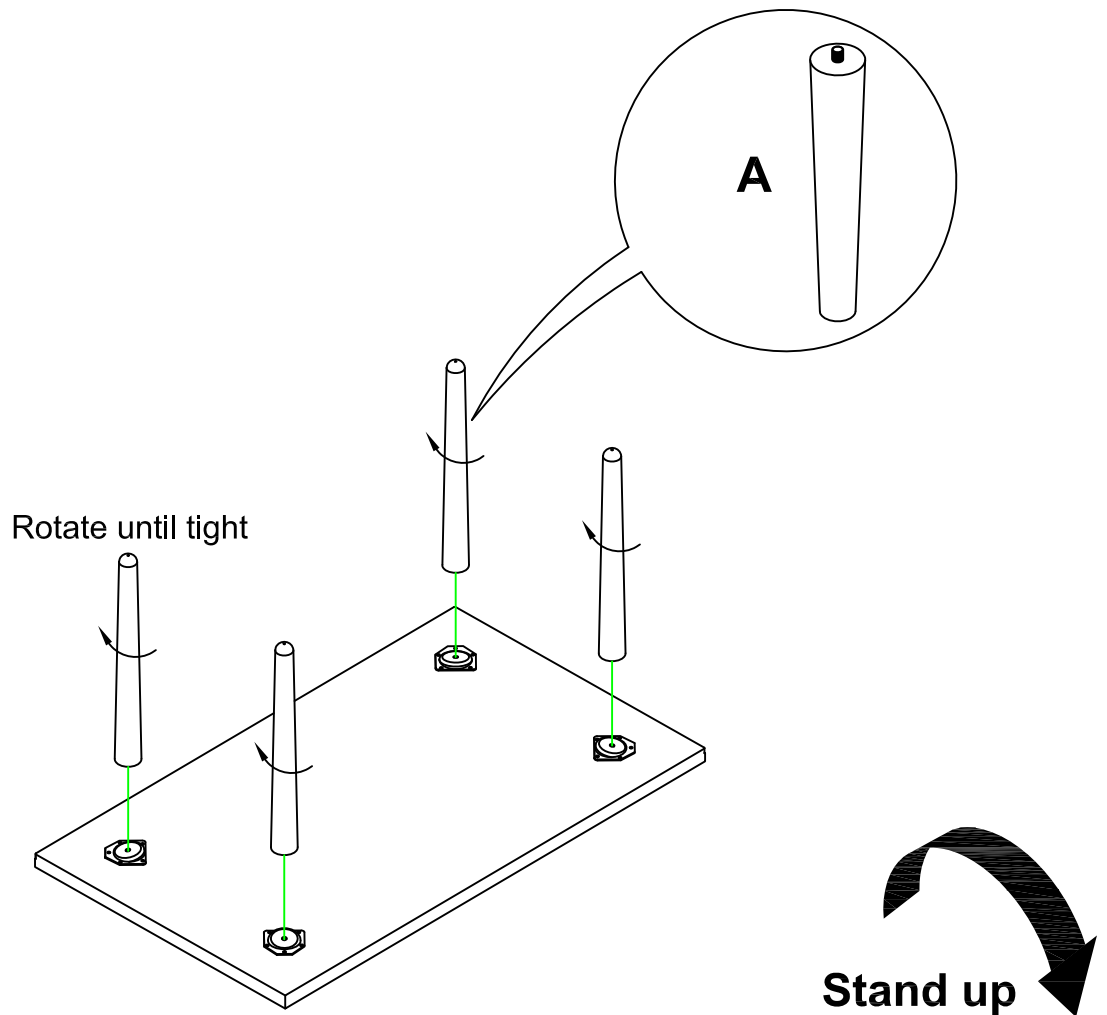
**STEP 1:**

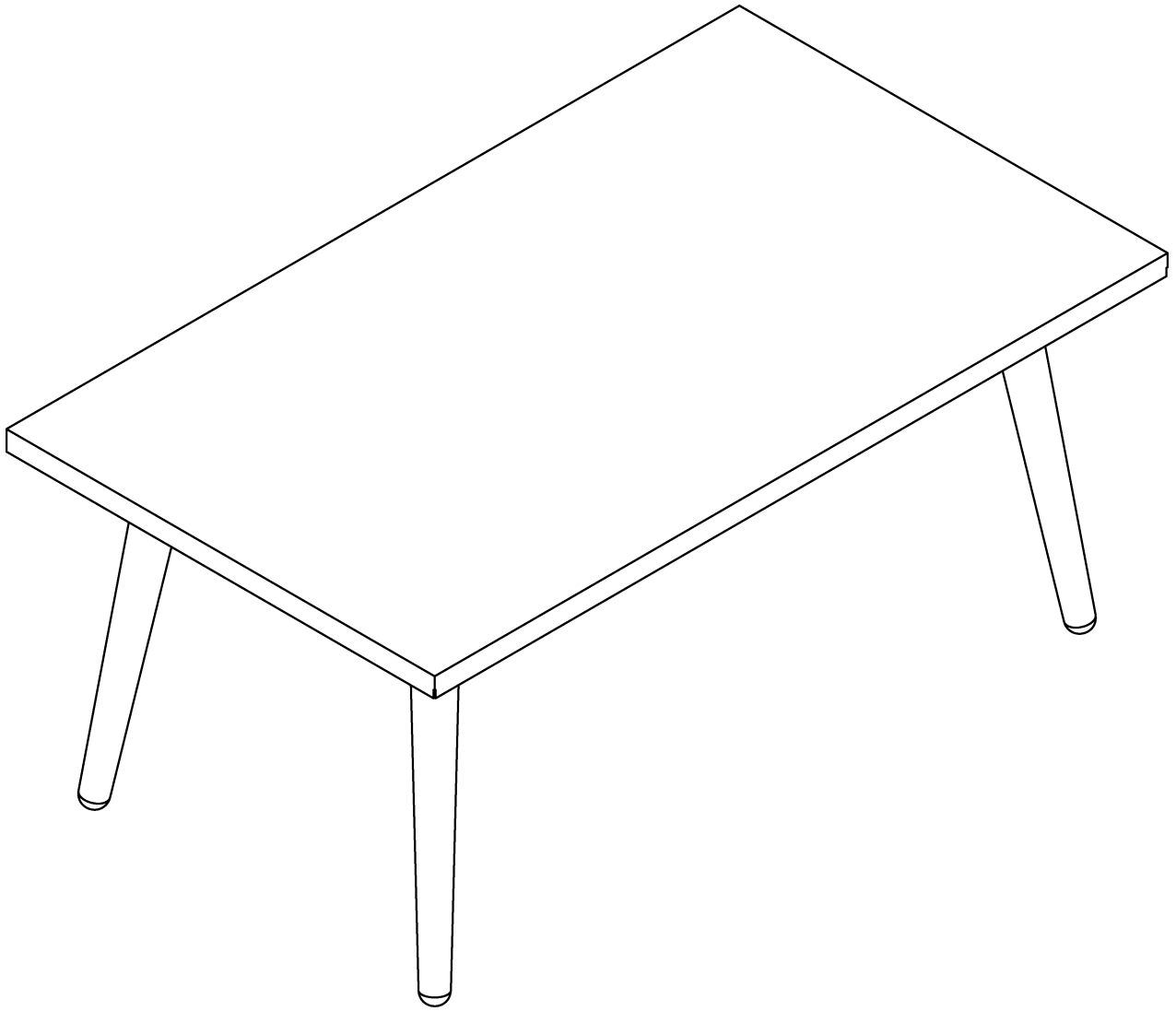
		
<b>B</b>		<b>4pcs</b>
		
<b>C</b>	<b>Ø5*16</b>	<b>20pcs</b>



**STEP 2:**

		
<b>A</b>	<b>Ø50*420</b>	<b>4pcs</b>





**In the interest of our environment  
please dispose of all packaging thoughtfully.**