

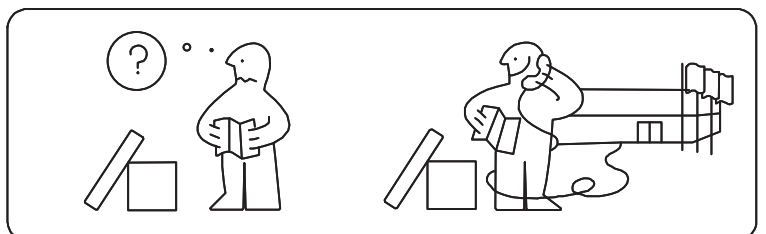
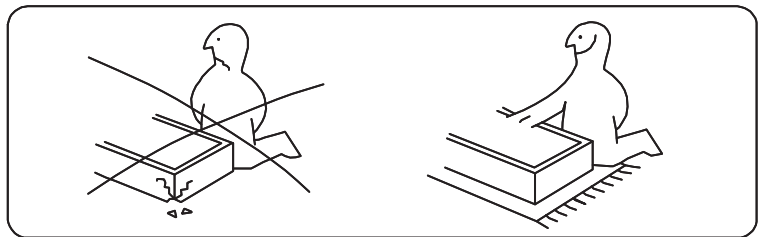
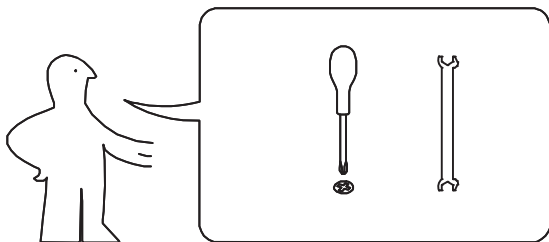
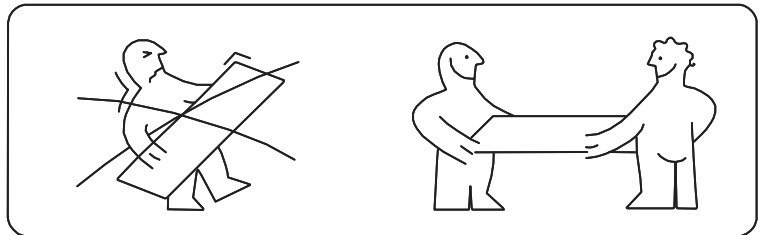
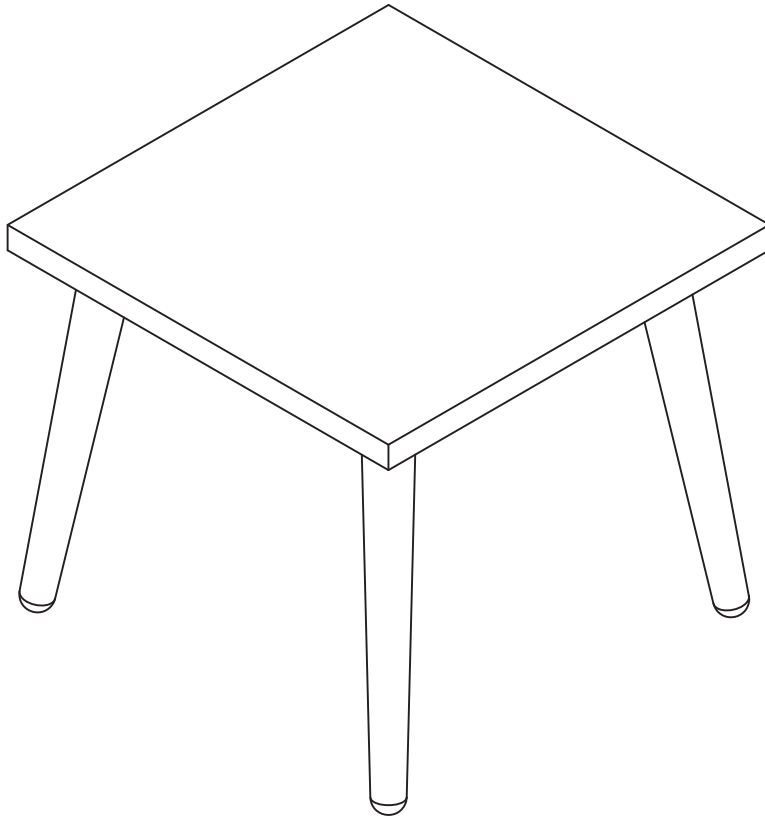
SHANGRI-LA

Avalon

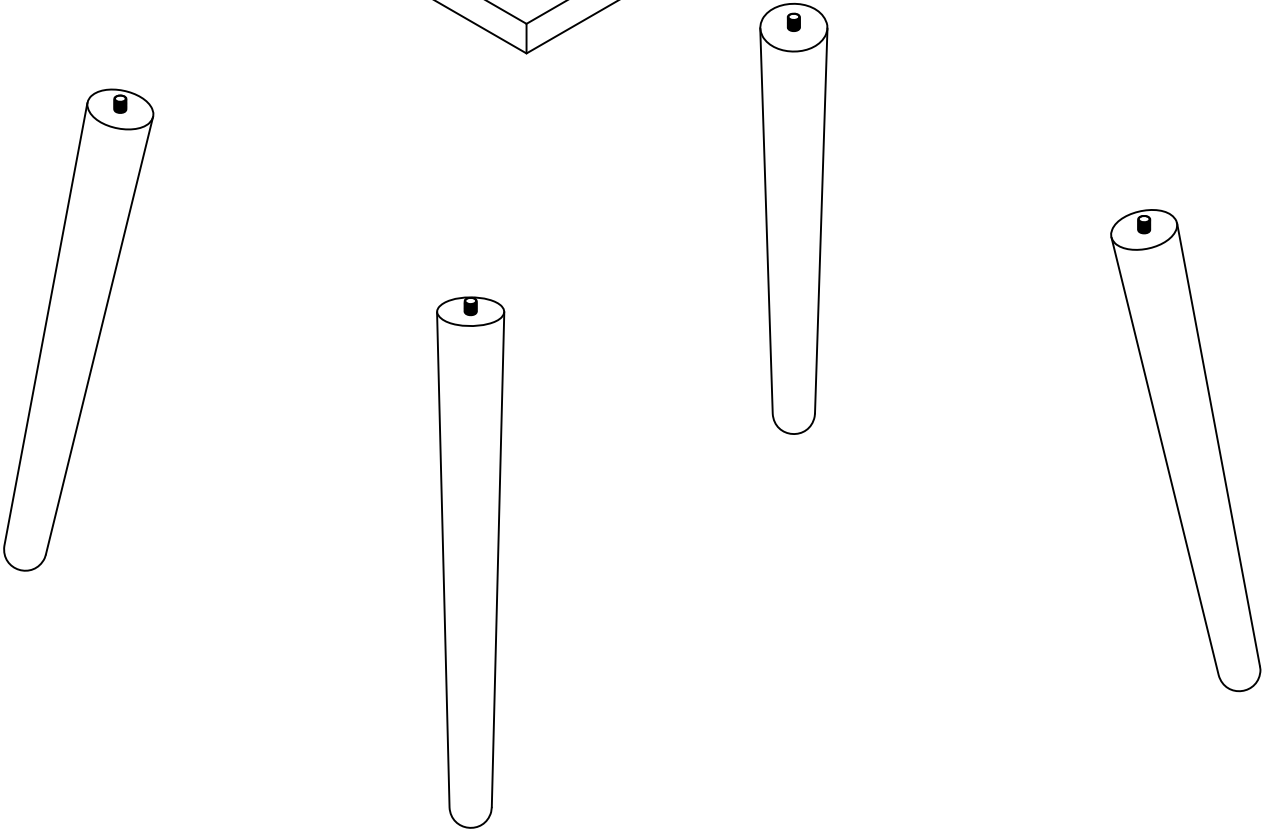
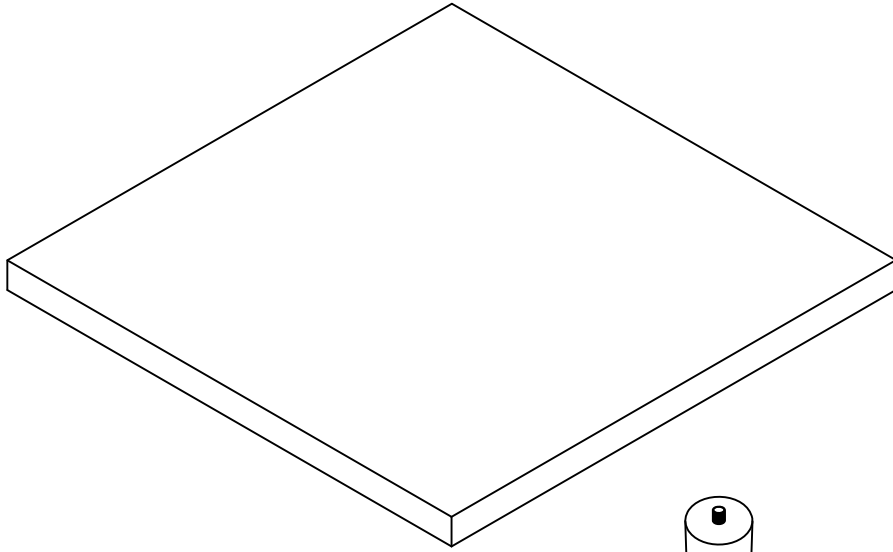
Side Table

SLAVSDTBLA




INSTRUCTION MANUAL





Components

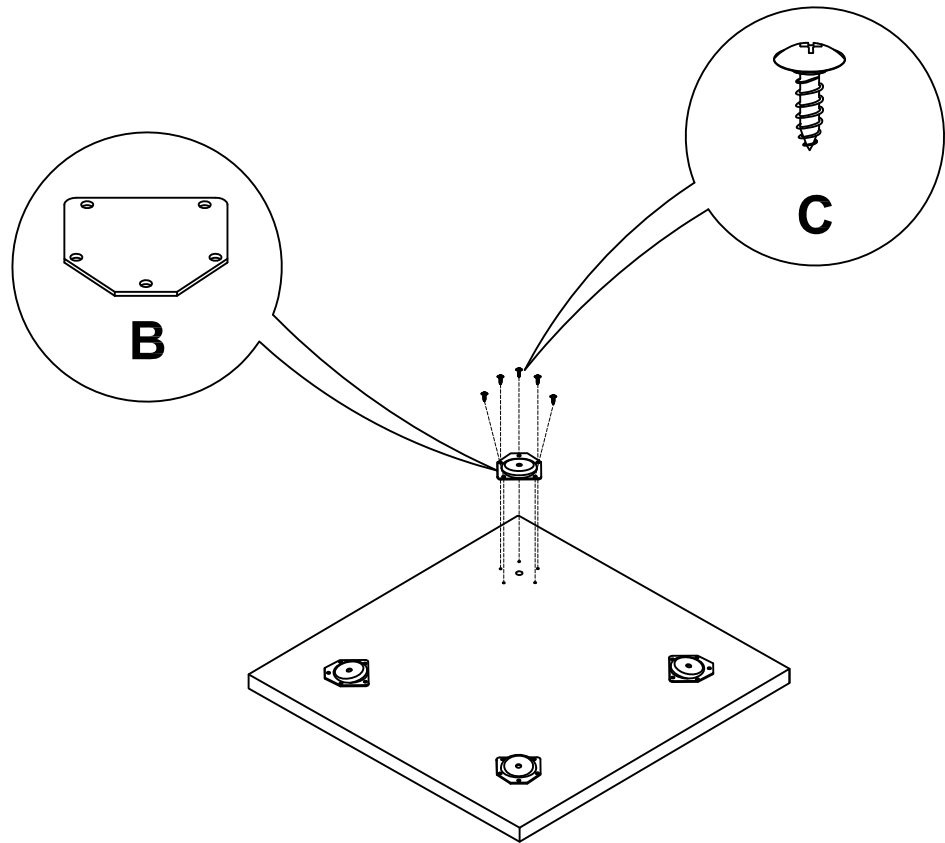


NO.	SIZE(mm)	QTY
01	590*1010*27	1


								
A	Ø50*420	4pcs	B		4pcs	C	Ø5*16	20pcs

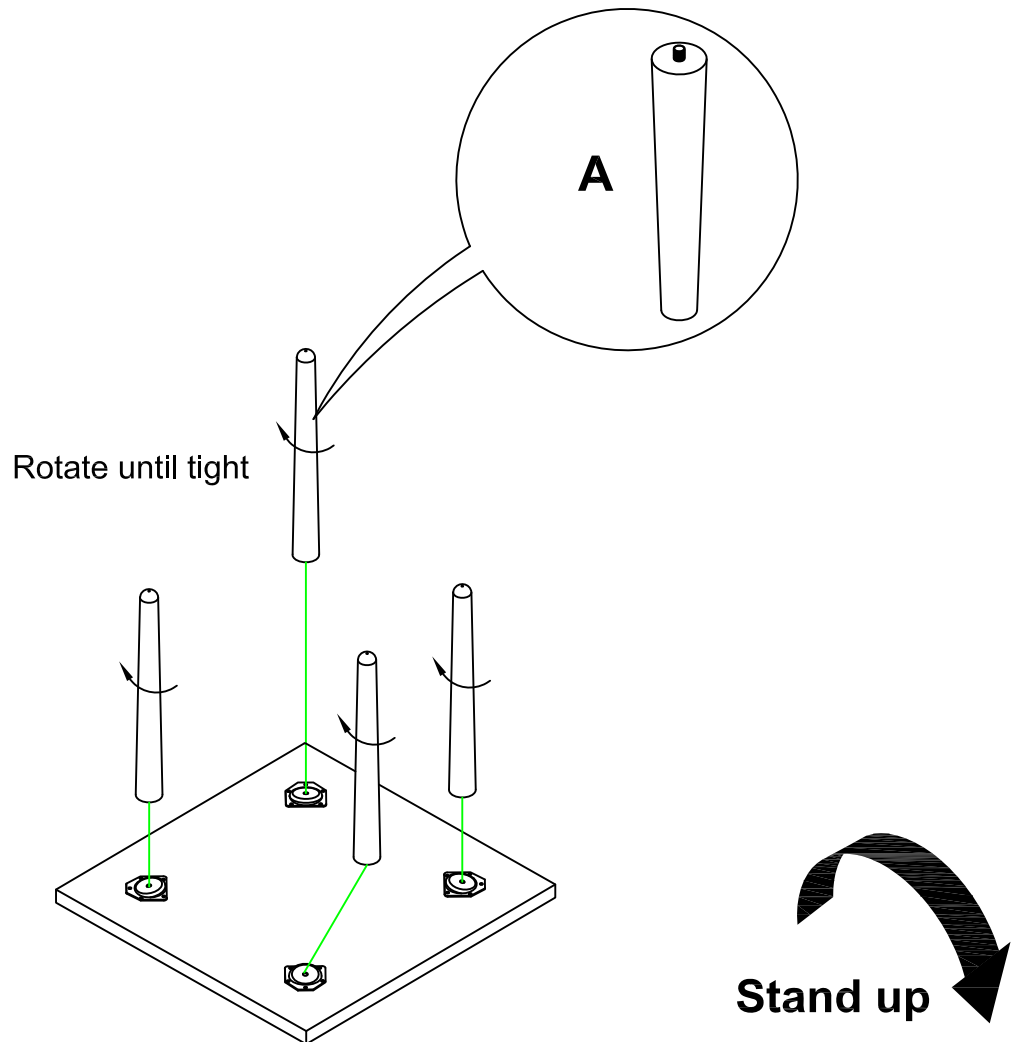
STEP 1:

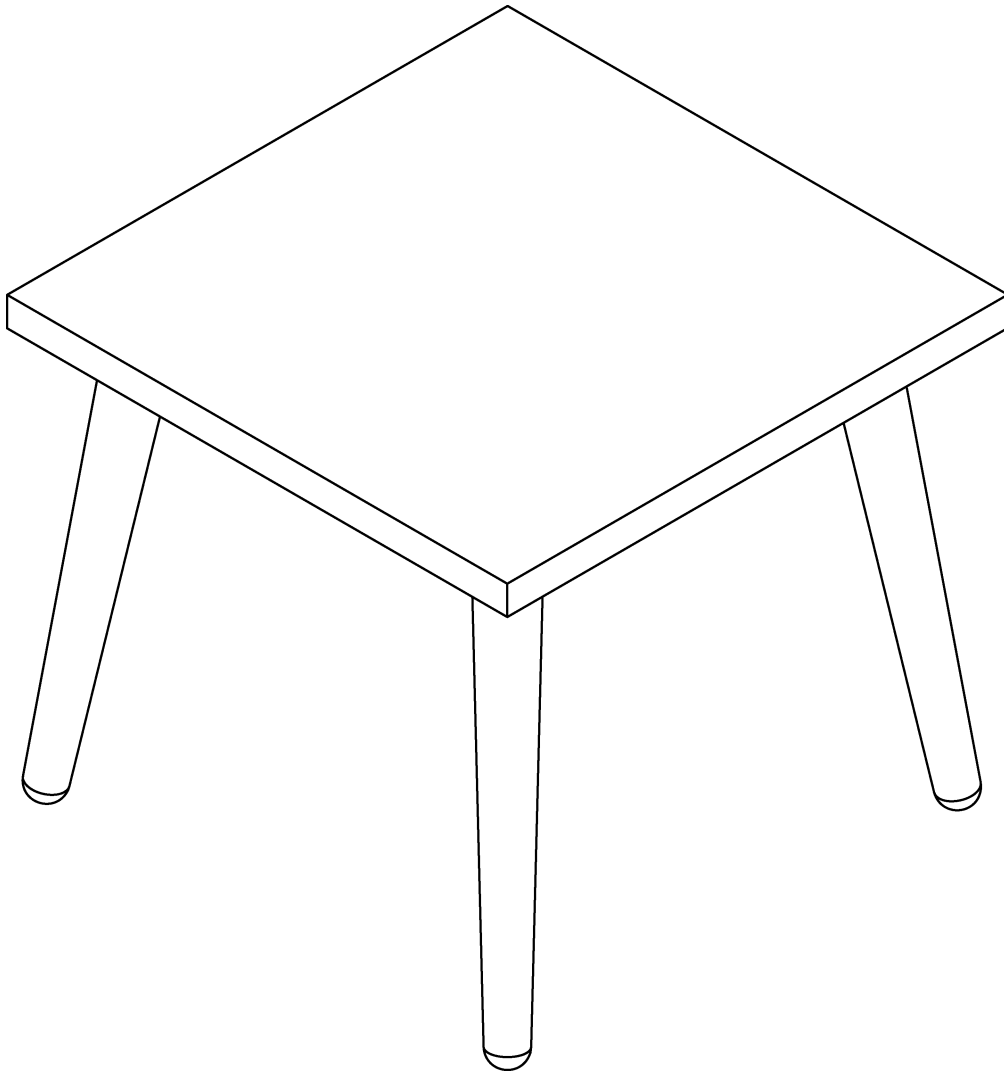
		
B		4pcs
		
C	Ø5*16	20pcs



STEP 2:

		
A	Ø50*420	4pcs





**In the interest of our environment
please dispose of all packaging thoughtfully.**