

DALLAS BED

SLDALLSBBA, SLDALLSBWA, SLDALLDBBA, SLDALLDBWA

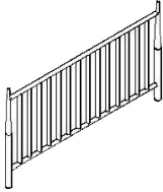
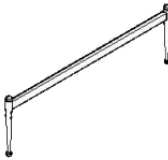





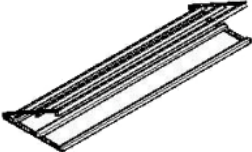
SAFETY & WARNINGS

Important










- Read these instructions fully before you commence assembly.
- Follow the guidelines in this user to ensure correct assembly and care for this product.
- Do not, for any reason, use a power tool to assemble this product. Use of power tools may apply greater than the necessary force on the fixture, causing damage.



COMPONENTS

			
(A) x 1Pc	(B) x 1Pc	(C) x 2Pcs	(D) x 1Pc
			
(E) x 2Pcs	(F) x 2Pcs	(G) x 2Pcs	(H) x 2Pcs

Hardware List

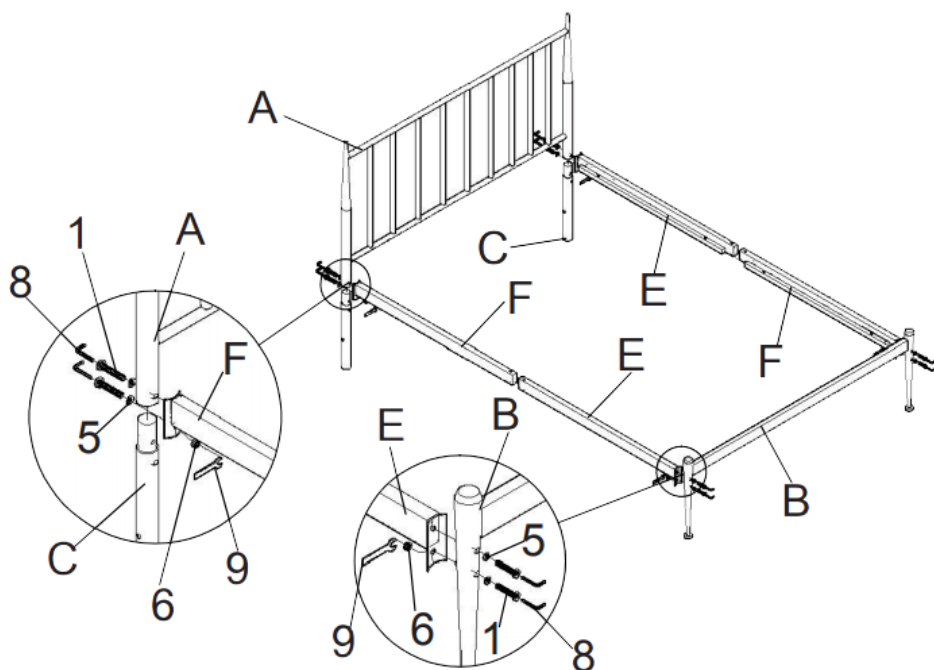
Ref.		Hardware Name	Qty
1		M8x50 Bolt	8pcs
2		M6x50 Bolt	4pcs
3		M6x50 Bolt	2pcs
4		M6x16 Bolt	8pcs
5		Flat Washer M8	8pcs
6		Nut M8	4pcs
7		Nut M6	4pcs
8		Allen Key M5 M4	2pcs
9		Open Spanner M10 M12	2pcs

ASSEMBLY

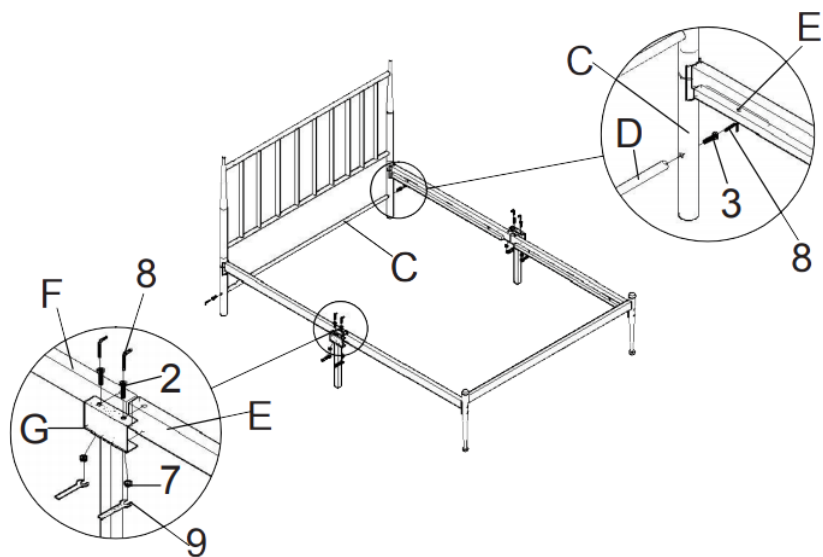
Note:

Do not use power tools when assembling this product. They may cause damage to fasteners and may affect your warranty.

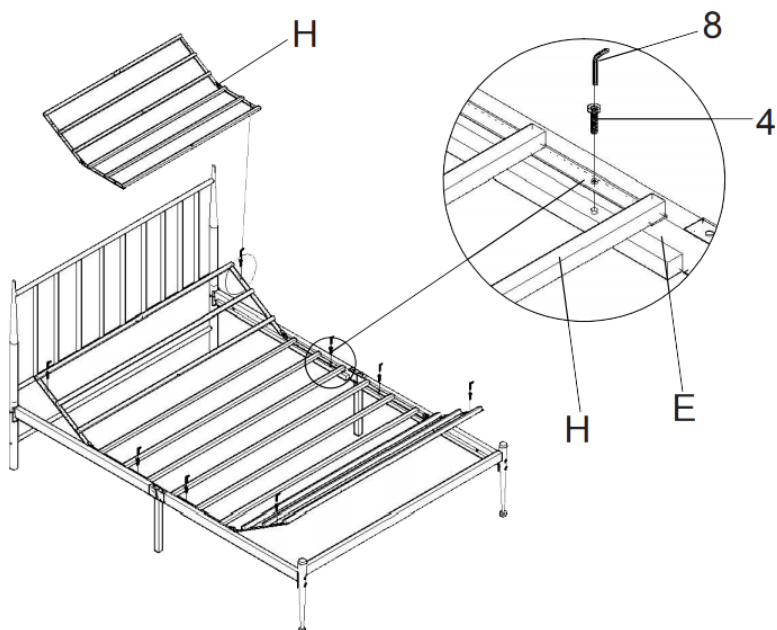
Step 1:



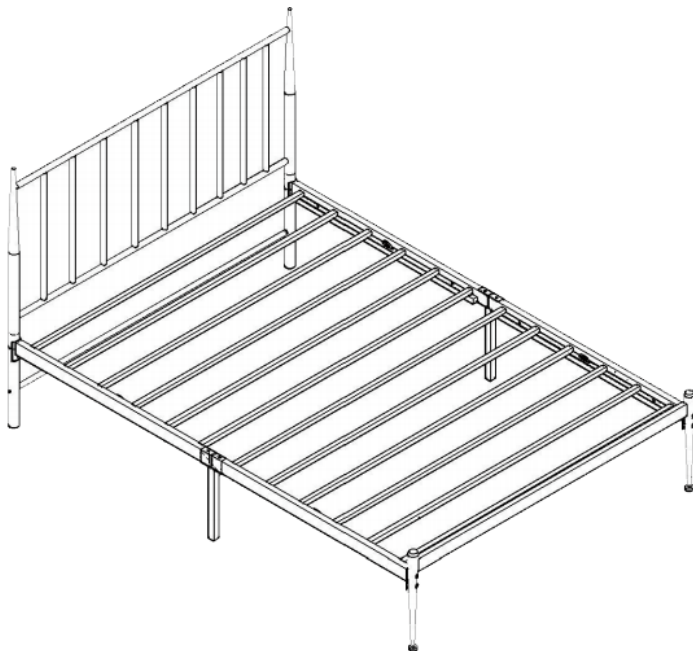
Step 2:



Step 3:



Step 4:



CLEANING & CARE

- Depending on the amount of use this product received, it may be necessary to tighten the fixings from time to time. This is normal for any flat-pack furniture.
- For cleaning, use a cloth (not wet), dry duster and normal furniture polish.
- For any assistance, please contact the support team via your Kogan.com account.

Need more information?

We hope that this user guide has given you the assistance needed for a simple set-up. For the most up-to-date guide for your product, as well as any additional assistance you may require, head online to **help.kogan.com**

kogan