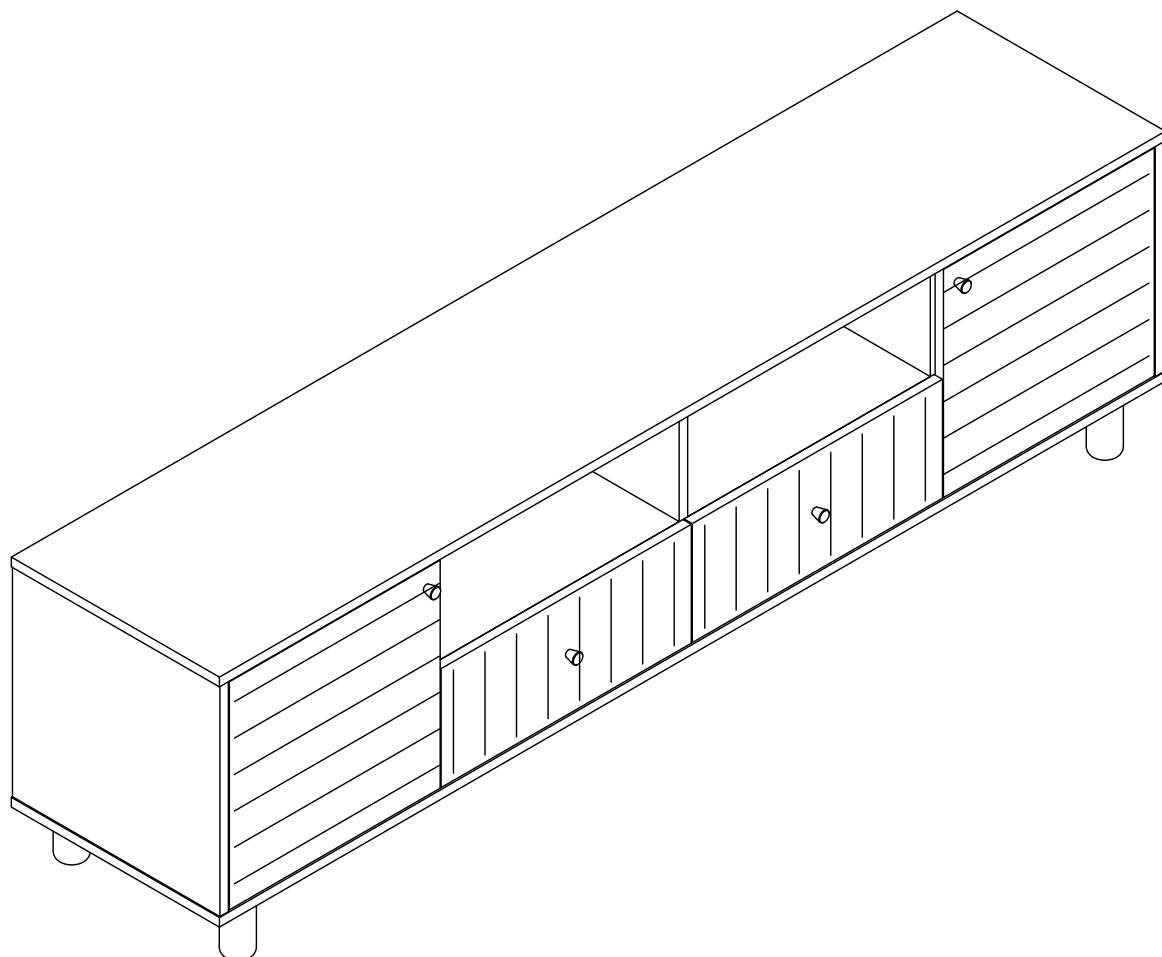


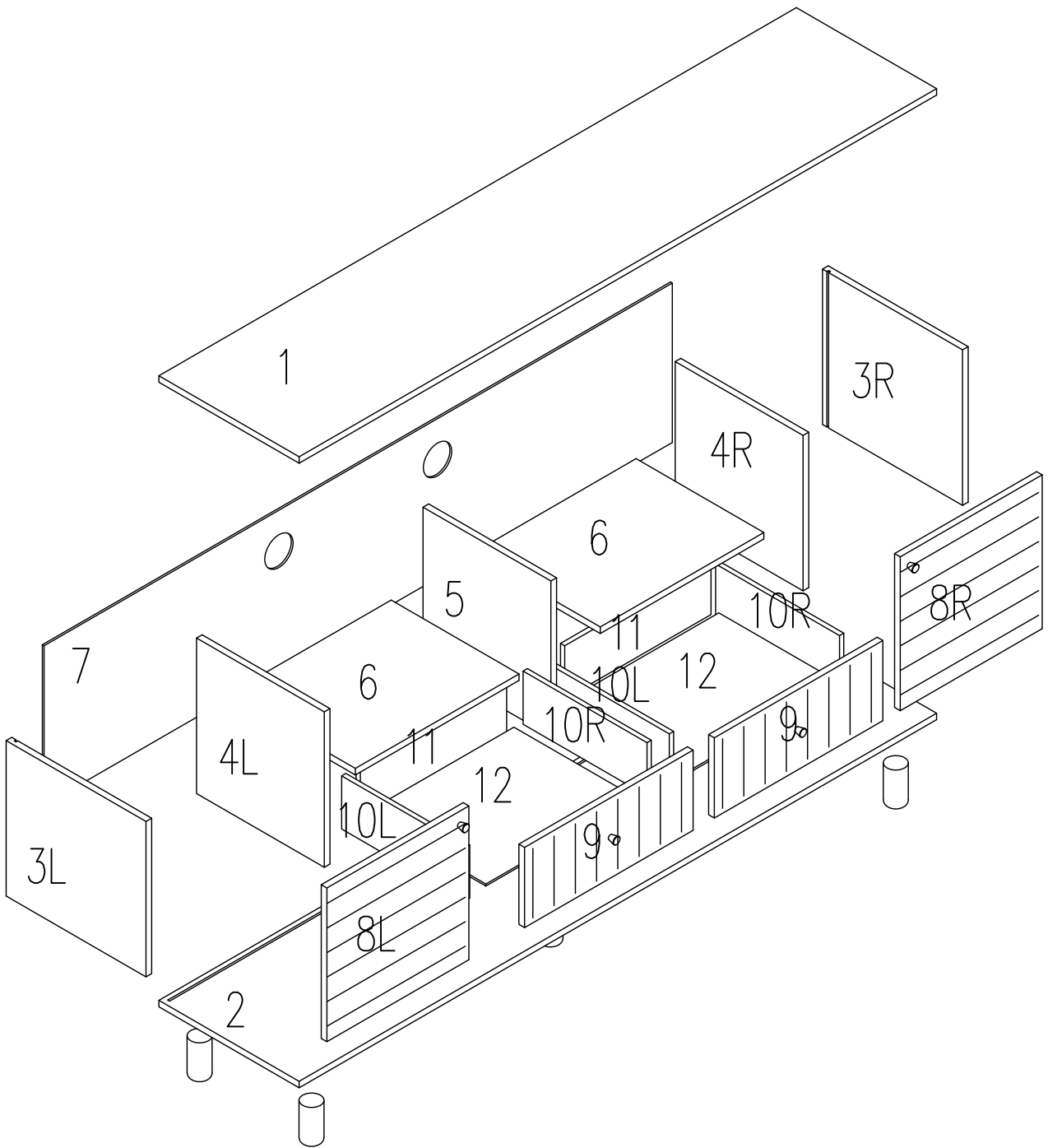
SHANGRI-LA

Lyon COLLECTION

TV Entertainment Unit - White
SLLYTVEUWA

INSTRUCTION MANUAL






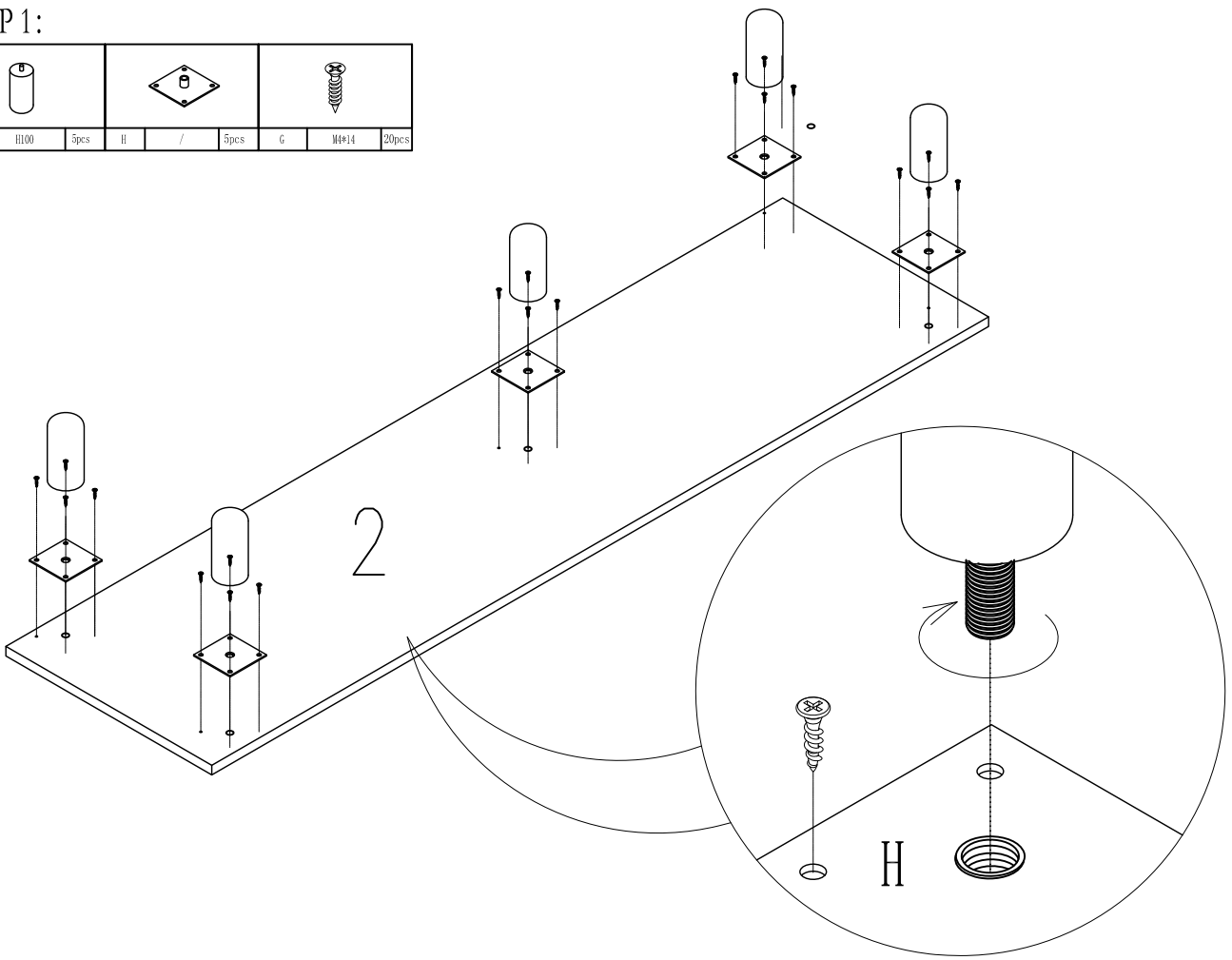


| NO. | SIZE | QTY | CTN NO. |
|-----|-------------|-----|---------|
| 1 | 1800*396*16 | 1 | 2-2 |
| 2 | 1800*396*16 | 1 | 2-2 |
| 3 | 380*395*16 | 2 | 2-1 |
| 4 | 380*361*16 | 2 | 2-1 |
| 5 | 380*361*16 | 1 | 2-2 |
| 6 | 462*361*16 | 2 | 2-1 |
| 7 | 1774*390*5 | 1 | 2-2 |
| 8 | 400*376*16 | 2 | 2-2 |
| 9 | 476*196*16 | 2 | 2-2 |
| 10 | 350*130*12 | 4 | 2-1 |
| 11 | 413*130*12 | 2 | 2-1 |
| 12 | 423*344*5 | 2 | 2-1 |




| | | | | | |
|---|----------|-------|---|----------|-------|
| | | | | | |
| A | M6*40 | 28pcs | B | Ø15*13.5 | 28pcs |
| | | | | | |
| D | Ø12*10mm | 8set | E | M4*14 | 24pcs |
| | | | | | |
| G | M4*14 | 20pcs | H | / | 5pcs |
| | | | | | |
| J | / | 4pcs | K | 12' | 2set |
| | | | | | |
| N | big bend | 4set | | | |

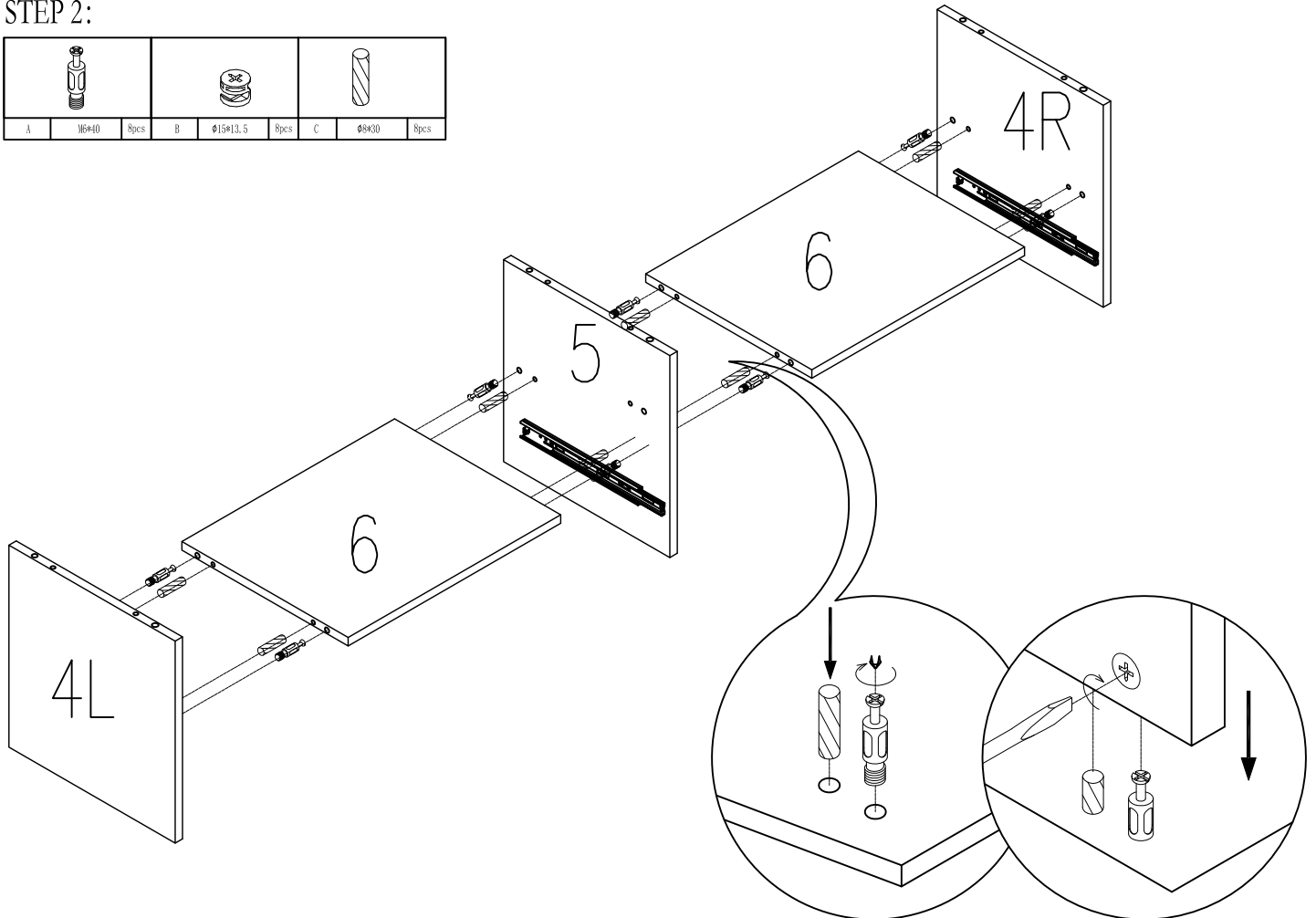
STEP 1:

| | | |
|---|---|---|
|  |  |  |
| L | H100 | 5pcs |
| H | / | 5pcs |
| G | M#14 | 20pcs |






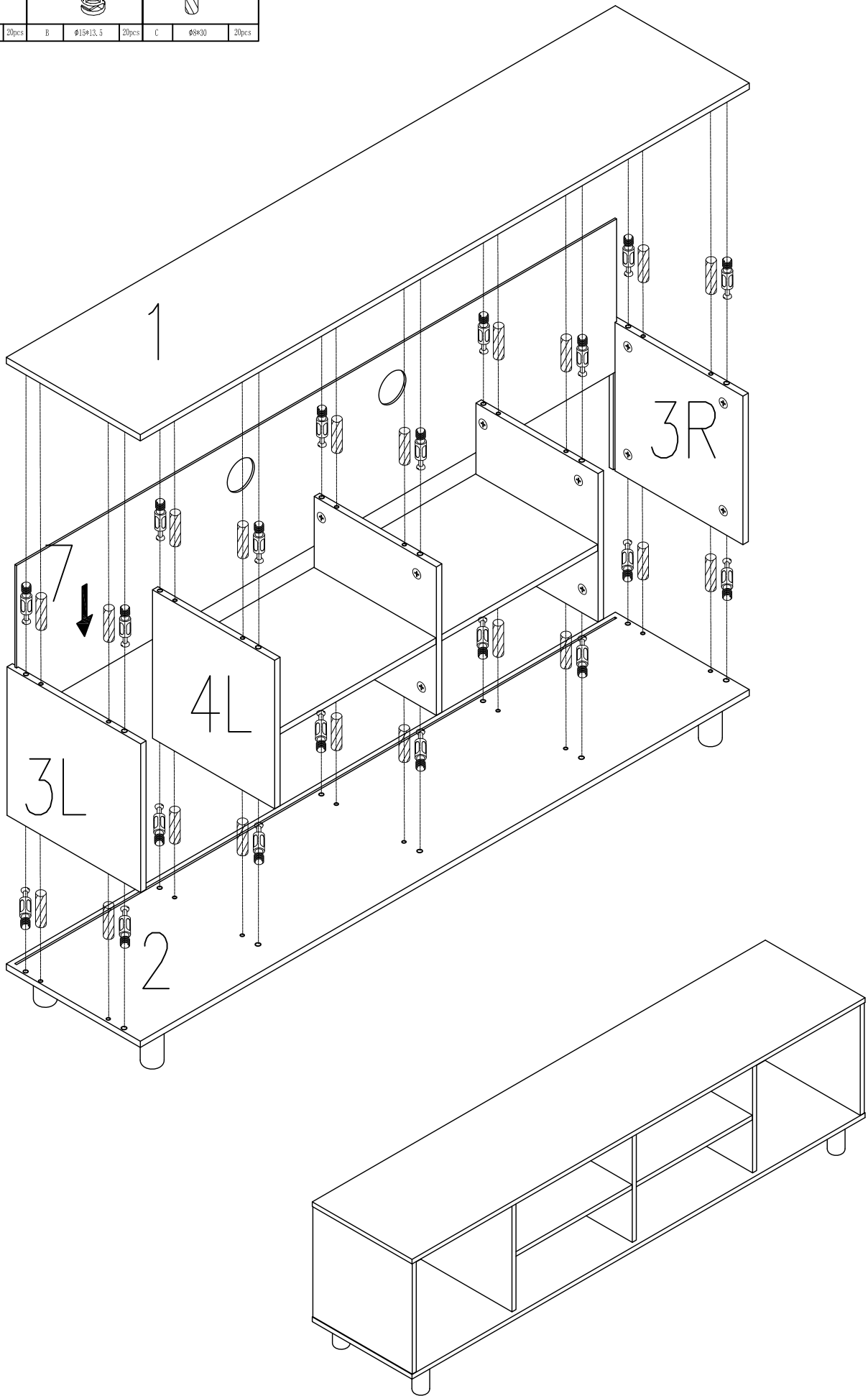
STEP 2:

| | | |
|---|---|---|
|  |  |  |
| A | M#40 | 8pcs |
| B | Ø15*12.5 | 8pcs |
| C | Ø6*30 | 8pcs |

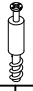



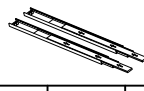




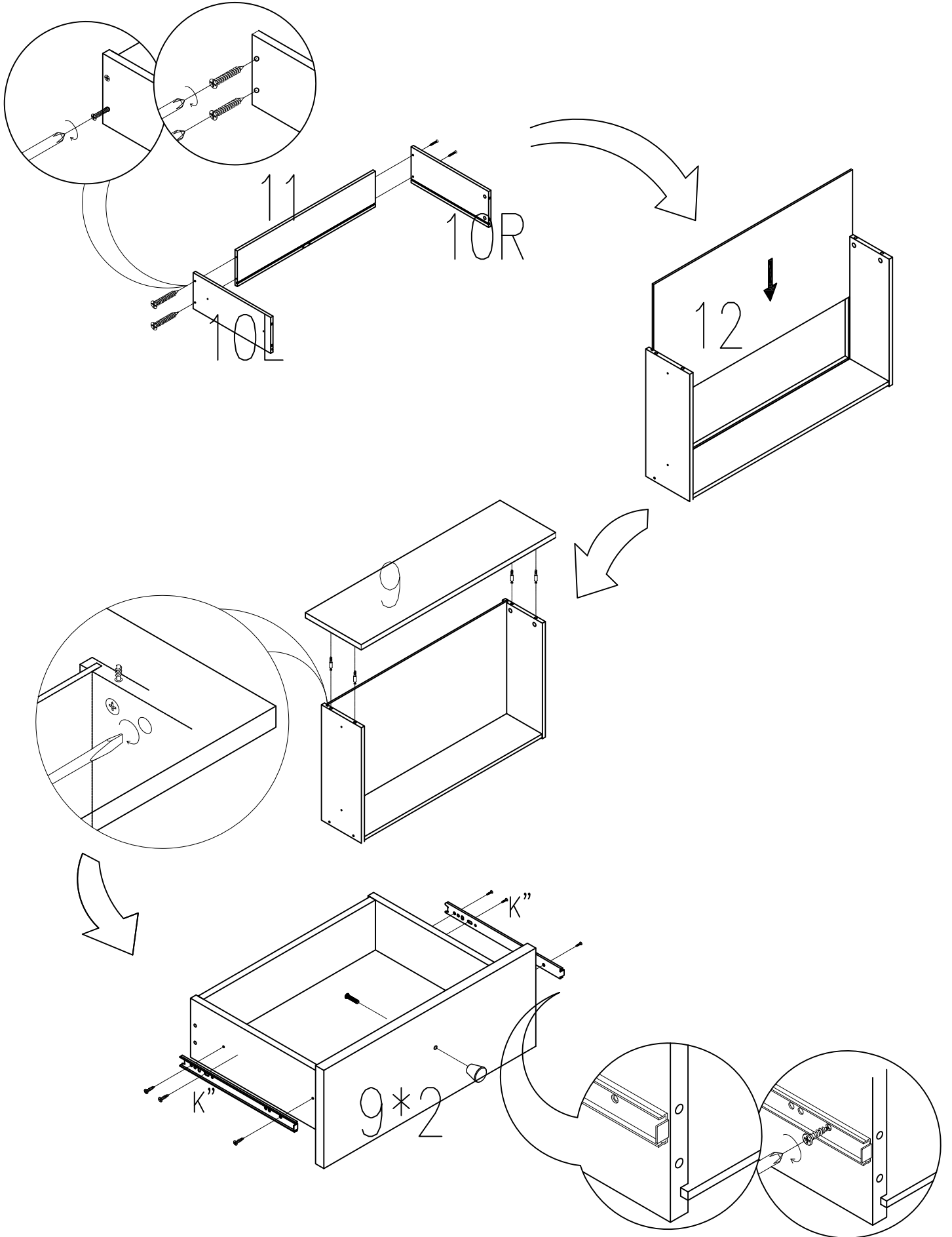
STEP 3:

| | | |
|---|---|---|
|  |  |  |
| A | M6*10 | 20pcs |
| B | φ15*13.5 | 20pcs |
| C | φ6*30 | 20pcs |






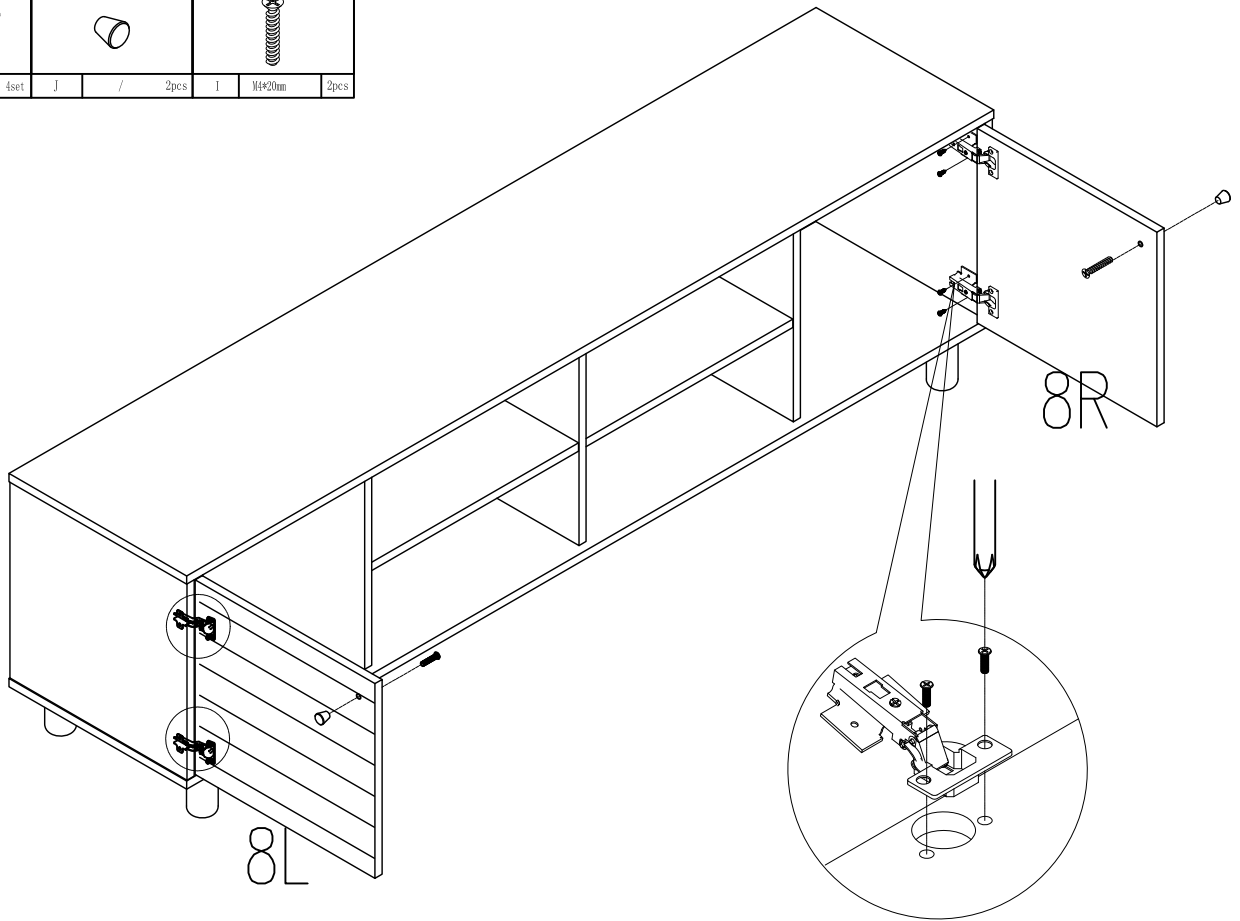
STEP 4:

| | | | | | | | | | | | | | | | | | |
|---|---|---|---|---|---|---|-------|------|---|-----|------|---|---|------|---|---------|------|
|  |  |  |  |  |  |  | | | | | | | | | | | |
| D | Ø12*10 | 8set | E | M4*14 | 12pcs | F | M4*30 | 8pcs | K | 12' | 2set | J | / | 2pcs | I | M4*20mm | 2pcs |



STEP 5:

| | | | | | | | | |
|---|---|--|---|---|------|---|---------|------|
|  |  |  | | | | | | |
| x | big bend | 4set | J | / | 2pcs | I | M4*20mm | 2pcs |



STEP 6:

