

SHANGRI-LA NEW YORK METAL BED (SINGLE)

SLNYMTBSWA / SLNYMTBSBA

SAFETY & WARNINGS

IMPORTANT PLEASE READ BEFORE YOU COMMENCE ASSEMBLY

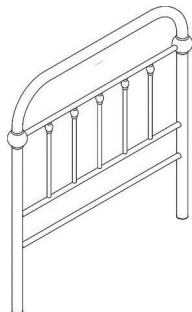
Follow the guidelines in this user guide to ensure correct assembly and care for this product.

Do not, for any reason, use a power tool to assemble this product. Use of power tools may apply greater than necessary force on the fixtures, causing damage. Warranty is void if power tools have been used.

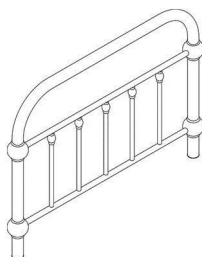


COMPONENTS

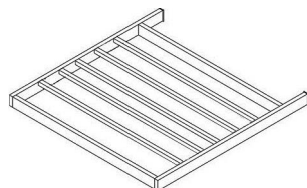
Parts list



(1)x1PC



(2)x1PC








(3)x2PCS



(4)x2PCS

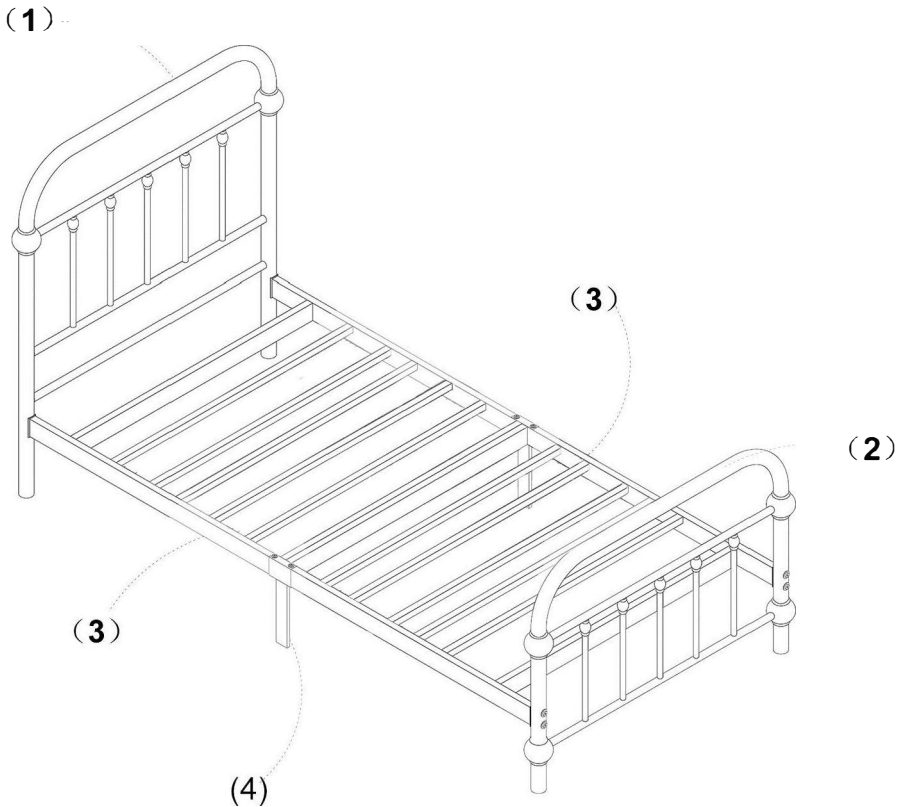
Hardware list

Ref.		Hardware Name	Qty
A			
B		M8x50 Bolt	8 pcs
C		M8x65 Bolt	4 pcs
		Flat Washer	12 pcs
		Nut	8 pcs
F		Allen Key	1 pc

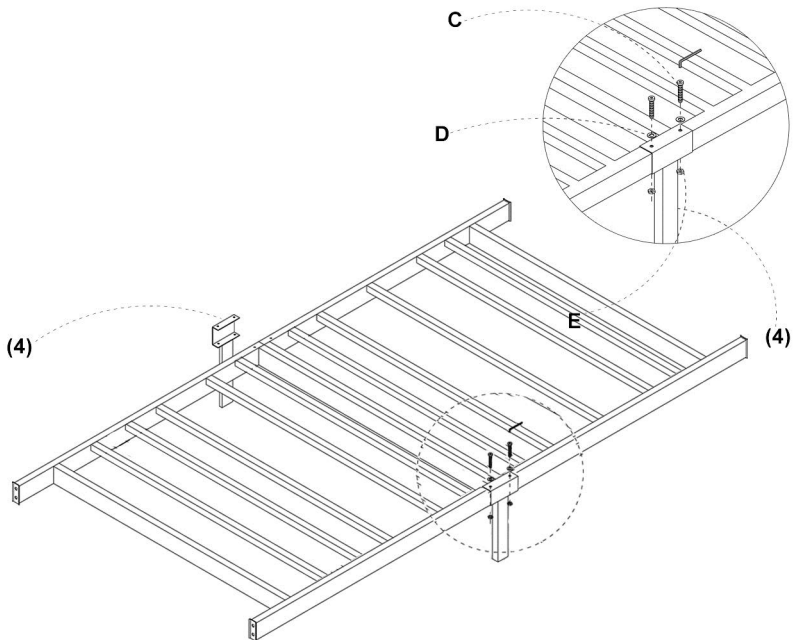
ASSEMBLY

NOTE

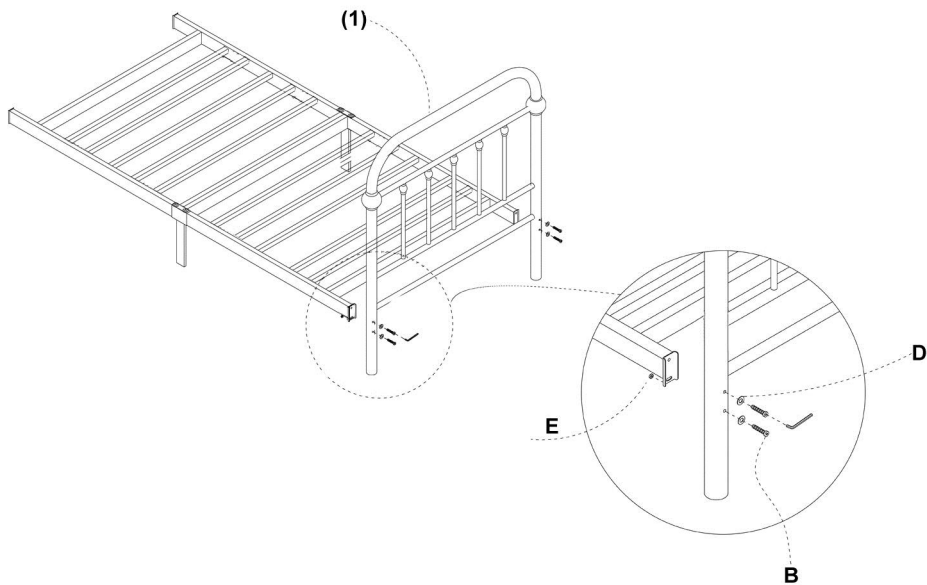
Do not use power tools when assembling this product. They may cause damage to fasteners and may affect your warranty.



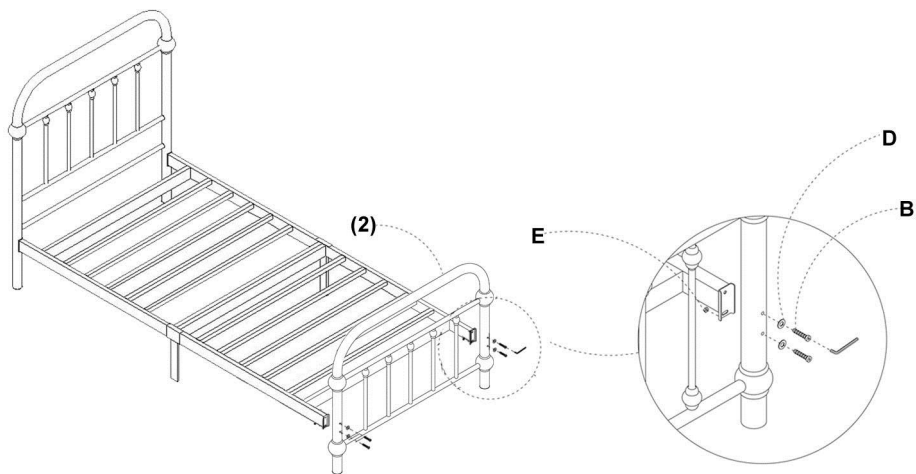
Step 1



Step 2



Step 3



Assembly is now complete!

CARE & MAINTENANCE

Depending on the amount of use this product received, it may be necessary to tighten the fixings from time to time. This is normal for any flat pack furniture.

For cleaning, use a damp cloth (not wet), dry duster and normal furniture polish.

For any assistance, please contact our Support Team via your Kogan.com account.

Note:

- Design and specifications are subject to change without notice.
- Weight and dimension shown are approximate.

Need more information?

We hope that this user guide has given you the assistance needed for a simple set-up. For the most up-to-date guide for your product, as well as any additional assistance you may require, head online to **help.kogan.com**

kogan.com