

SEATTLE DAY BED

SLSTDAYBWA, SLSTDAYBBA










SAFETY & WARNINGS

Important







- Please read before you commence assembly.
- Follow the guidelines in this user to ensure correct assembly and care for this product.
- Do not, for any reason, use a power tool to assemble this product. Use of power tools may apply greater than the necessary force on the fixture, causing damage.



COMPONENTS

				
(A) x 1Pc	x 1Pc	(C) x 1Pc	(D) x 1Pc	
				
(E) x 1Pc	(F) x 3Pcs	(G) x 12Pcs	(H) x 4Pcs	(I) x 24Pcs

Hardware List

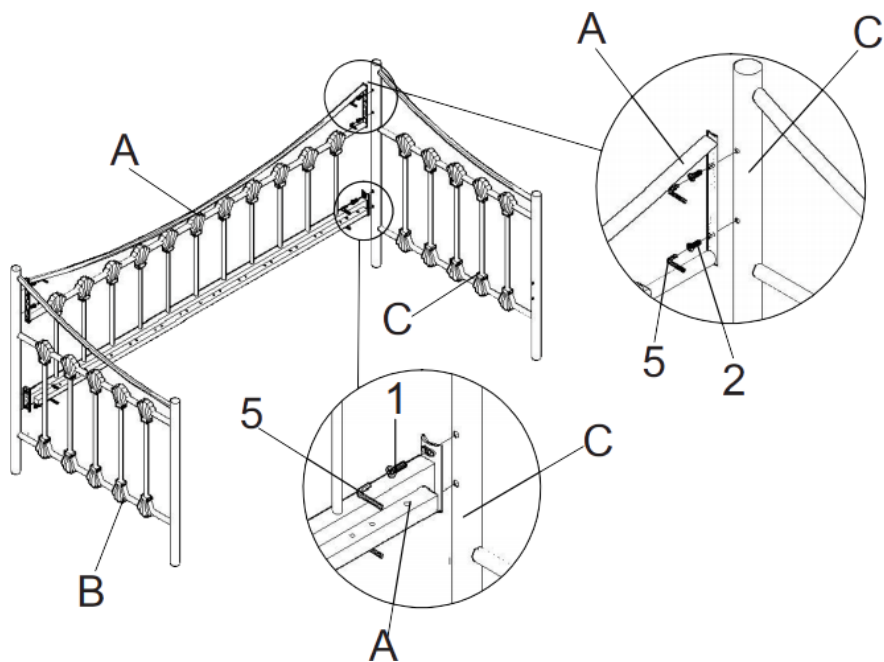
Ref.		Hardware Name	Qty
1		M8x20 Bolt	8pcs
2		M6x16 Bolt	4pcs
3		M6x60 Bolt	9pcs
4		Nut M6	9pcs
5		Allen Key M5 M4	2pcs
6		Open Spanner M10	1pc

ASSEMBLY

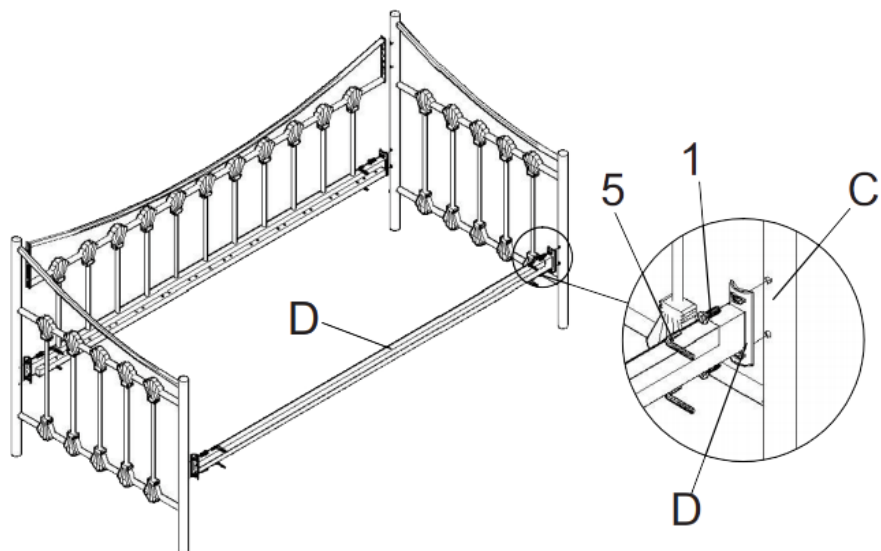
Note:

Do not use power tools when assembling this product. They may cause damage to fasteners and may affect your warranty.

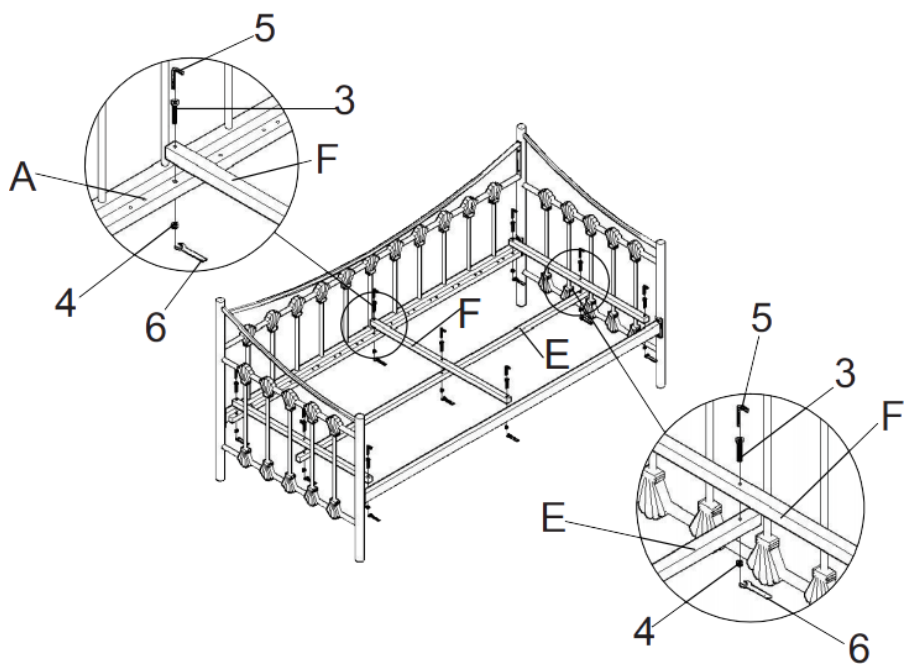
Step 1:



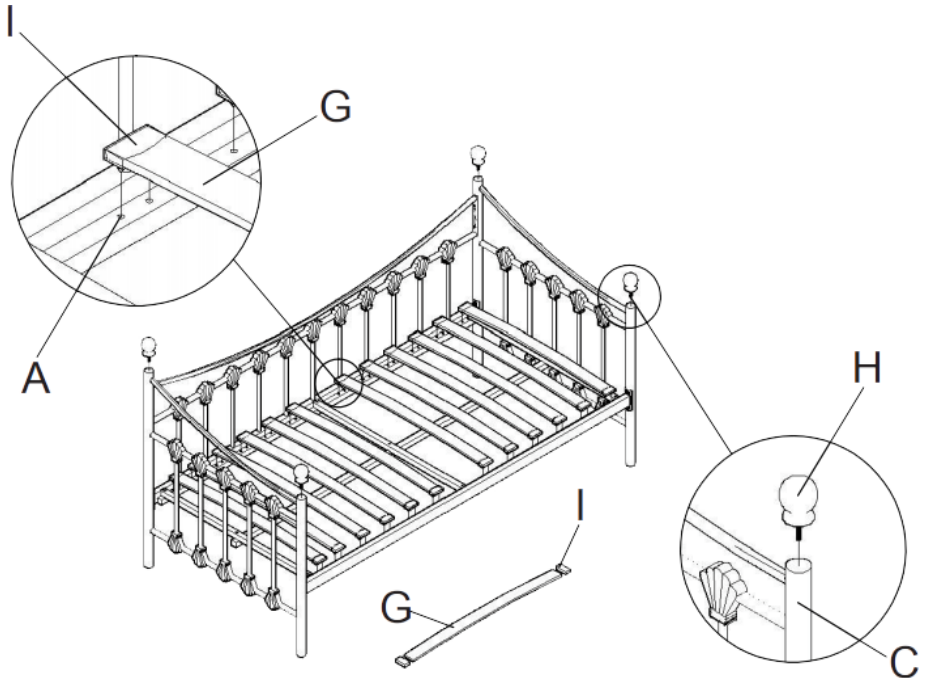
Step 2:



Step 3:



Step 4:



CLEANING & CARE

- Depending on the amount of use this product received, it may be necessary to tighten the fixings from time to time. This is normal for any flat-pack furniture.
- For cleaning, use a cloth (not wet), dry duster and normal furniture polish.
- For any assistance, please contact the support team via your Kogan.com account.

Need more information?

We hope that this user guide has given you the assistance needed for a simple set-up. For the most up-to-date guide for your product, as well as any additional assistance you may require, head online to **help.kogan.com**

kogan